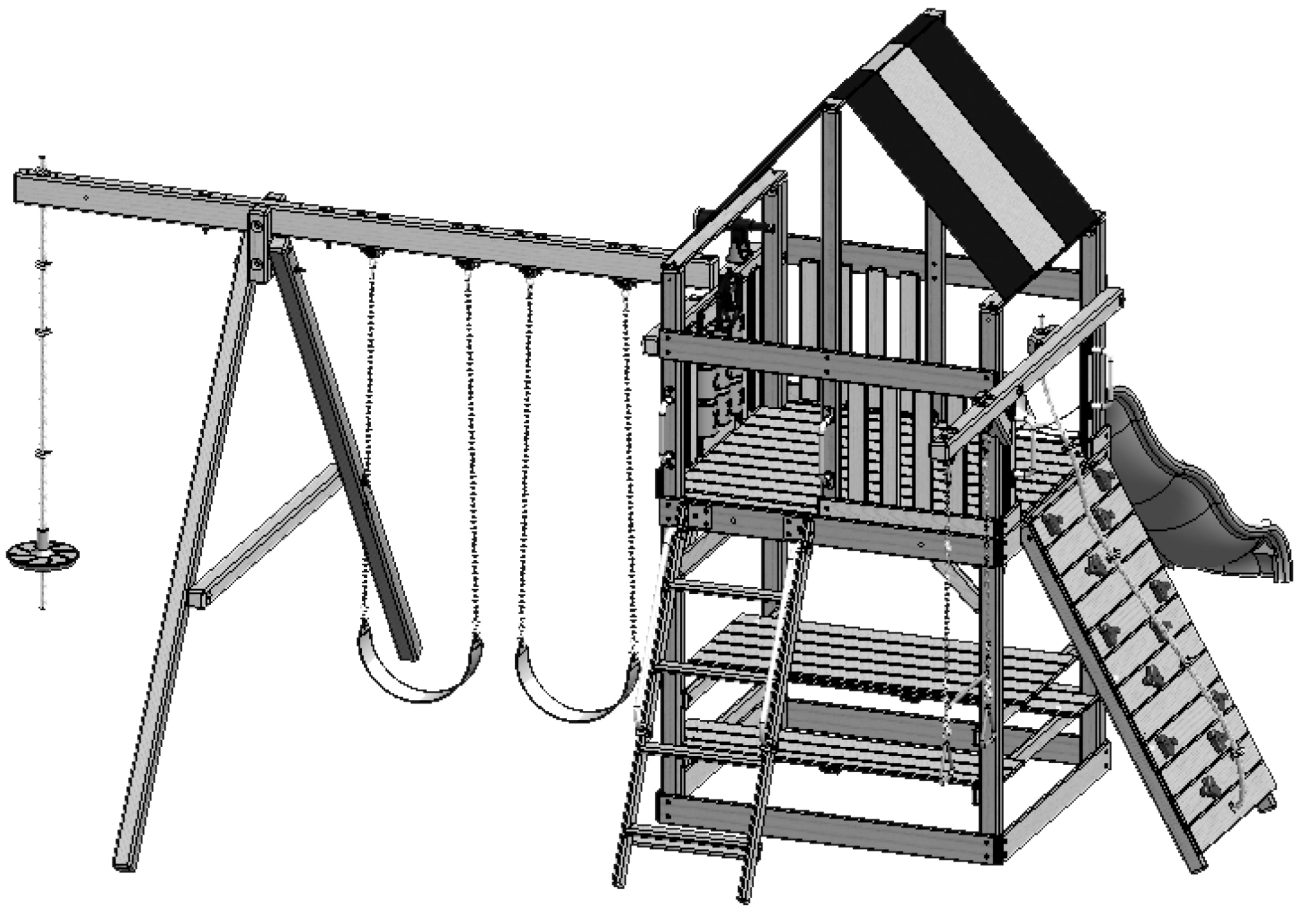




Parrot Island Fort Installation Manual

Version 1B:18



Tools Needed for Assembly

Tape Measure	24" Level	Angle Square
Phillips Screw Driver	3/8" Cordless Drill or Electric Drill	3/8" Drive Ratchet or Electric Impact Gun
Claw Hammer or Rubber Mallet	Pliers or Vise Grips	7/16" Deep Well Socket
9/16" Deep Well Socket	3/4" Deep Well Socket	1/8", 1/4", and 9/16" Drill Bits
Phillips Head Screw Bits	An Adult with two Adult Helpers	

Please familiarize yourself with the install manual, parts/components and general construction process of your new swing set before getting started. Approximate assembly time: 6 to 8 hours. 6 foot unobstructed safety perimeter around swingset recommended.

IMPORTANT - PLEASE READ

As fresh lumber acclimates to its new environment, the natural tendencies of the tree can show itself in the form of checks, or “cracks” in the lumber. In almost all cases this is normal and it will not affect the structural integrity of your play set.

Cosmetic defects that do not affect the structural integrity of the product, or natural defects of wood such as warping, checking or any other physical properties of wood that do not present a safety hazard, are not covered by this warranty.

Defects that develop because the product is exposed to extreme climate conditions are not covered by this warranty. Defects that develop as a result of faulty or improper installation of the product are also not covered by this warranty.

Most cracks are not warrantable, however if you believe that the integrity of your play set is compromised by this natural occurrence, please contact the Tree Frogs Swing Set Dealer that you purchased your swing set from.

We appreciate your purchase and know that you will enjoy your play system for many years to come.

Pre-Assembly Hints

- Depending on your experience, assembly of our play sets can take as little as 6 hours up to 24 hours, depending on size, after inventory of parts; therefore, we recommend you set aside a full two days for assembly.
 - Identify all of the parts for your play set. Empty each box and lay out boards so you can see each part. Your instruction book will have detailed drawings that will make it easy for you to recognize individual parts. Keep all hardware and metal parts separate from wooden pieces.
 - After everything is laid out, check carefully to ensure all parts are present. Make sure there are no broken boards.
 - Find an area to sort your hardware. It is best to open the hardware on a solid surface so that you do not lose any pieces in the grass.
This will save time and familiarize you with all the different pieces in the hardware bag.
- **Important note: Wood has some natural defects such as knots, surface cracks, etc... We reject parts that are structurally defective. We use a high quality lumber in our structures; however, you should inspect each part for splinters or rough spots and sand them smooth to prevent injury.****
- After familiarizing yourself with all of the components, read all instructions thoroughly. Reading instructions after you have studied the parts will help you understand more clearly the installation process, and help to eliminate unnecessary mistakes.
 - Pay close attention to the diameter and length of each bolt and screw.
 - Never tighten hardware completely at first. It helps to have some adjustment for bolt alignment while you are attaching parts together. After everything is square, tighten each joint.
 - After the main unit is assembled it is critical that the floor is level and square. If the main frame is not level, the walls and floor will be out of square.
 - After you complete installation, make sure every bolt, screw, and nut is tight, and every board is secure. Wood will expand and contract with the seasons.
 - Place the set on level ground, not less than 6ft from any structure or obstruction such as a fence, garage, house, overhanging branches, laundry lines, or electrical wires.
 - All 1/4" and 3/8" lag bolts must have pre-drilled holes 1-1/2" to 2" deep. Use a 1/8" drill bit for the 1/4" lag bolts and 1/4" drill bit for 3/8" lag bolts. Use pre-drilled holes in facias as a reference for placing lag bolt pilot holes.
 - If a board lifts or rises causing a gap between boards when running in lag bolts or screws, back out the screw or lag bolt and press or apply pressure (but not enough to crack or break board) while re-running in the lag bolt or screw in the same hole.
 - Do not over tighten bolts, lag bolts or screws. You can damage boards, break hardware, and/or strip out the hardware.
 - When using hammer do not beat on the hardware, but gently tap it in. Never beat on the wood as it will leave marks.

Leveling Your Swing Set During Assembly

- Complete the steps which will be the basic frame of the fort {i.e. four corner posts with base (sand box boards) and deck supports}
- Position in the most level area chosen for the play set, keeping in mind the location and size of the swing beam, ladder, slides, etc. that extend off the fort.
- Once the frame is in the final position, check for vertical and horizontal levelness to determine which side(s) will need to be dug into the ground to level the play set.
- With a shovel, score the ground around the outside edges of the sandbox boards on the 'high' side of the fort. This is the area that will be dug in. Make sure to score deep enough; the scored lines will be your digging template.
- Push the frame off and away from the scored area, far enough to dig and remove dirt to reach the appropriate depth.
- Dig a channel along the scored line(s) for the base of the fort (corner post and sandbox boards) to rest into. Dig the channel(s) to the same level depth. The bottom of the channel(s) should be level to each other so your frame doesn't teeter or rock because the channel(s) are uneven.
- Once you have removed enough grass and dirt, slide/push the frame into the channel(s). Place a level on the vertical and horizontal boards of the frame to determine if enough soil, or too much, was removed.
- Repeat this process until the basic frame is plumb and level and in its final position before completing the rest of the assembly.
- Measure to make sure fort is square.

**** Important: if you require a channel depth of more than 6", then we recommend you have your play set area professionally graded before completing assembly. ****

Choosing A Location For Your Playset

When choosing a location for your swing set, always keep your child or children's safety in mind. Here are some recommendations to help you locate and install a safe play area.

- This play set is designed for the use of 4 occupants who have a combined weight not exceeding 800 pounds on the elevated floor; 3 occupants who have a combined weight of 525 pounds on the swing area; for a total Unit capacity of 5 occupants who have a combined weight of 1325. (this weight is not including the picnic table area)
- On-site adult supervision is required.
- The swing set should be located on level ground. The stationary components such as ladders and slides are required to be a minimum of six feet from any structure or obstruction such as a fence, garage, house, tree, overhanging branches, electrical wires, clotheslines, etc. Any swinging equipment is also required to be a minimum distance twice the height of the swing beam away from these obstructions or structures as well. The swing set should be located a safe distance from any water hazards, such as a lake, river, bayou, swimming pool, etc.
- Do not install this residential swing set in a commercial setting. This swing set is not manufactured for commercial usage and will void all warranties. Tree Frogs Wooden Swing Set Factory is not responsible for any damages or injuries resulting from this swing set being used in a commercial setting.
- Never install this swing set indoors; or over concrete, asphalt, packed earth, grass, carpet or any other hard surface. A fall onto a hard surface can result in serious or fatal injury.
- The U.S. Consumer Product Safety Commission (CPSC) recommends that you install and maintain a resilient surface under your swing set. The CPSC's Consumer Information Sheet for Playground Surfacing Materials is on the next page. A resilient surface, should be installed after the swing set has been completely assembled according to these instructions. The swing set must rest on solid ground. Please note that this swing set has a maximum fall height of 7'.

Maintaining Your Swing Set

Here are some maintenance tips required to insure safe play on your swing set for years of fun.

- At the beginning of each usage season and every two weeks during, check: nuts and bolts and tighten as needed, swing seats, chains, ladders, slides, rope and wood components for sign of deterioration and replace if necessary.
- On a yearly basis, we recommend that you coat your swing set with a sealant or preservative. You may also want to spot sand any areas prior to sealing.

**** Special note: Although we recommend that you reseal your swing set annually, you may have to touch up the high traffic areas and/or areas that have a high exposure to direct sunlight.****

- Be sure that the sealant you select is non-toxic and child safe. Your local Tree Frogs Wooden Swing Set Factory dealer may offer a complete power wash and reseal and maintenance program.
- Do not use line trimmers or "weed eaters" around your swing set. The line will remove both paint and wood from uprights and base pieces. Any damage resulting from this type of abuse is not covered under our limited warranty.
- Remove plastic swing seats and take in doors or do not use when temperature drops below 0°F.

Please keep this install manual for future reference.

To insure SAFE PLAY adults must teach children:

- Not to walk close to, in front of, behind, or between moving items.
- Not to swing empty swing seats.
- Not to swing sideways into the path of adjacent swings.
- Not to use the swing set in a manner other than that for which it is intended.
- Not to get off the equipment while it is in motion.
- Not to jump off the tower.
- Not to stand in the swing seats.
- Not to swing so high that chains become slack, or above the height of the swing support.
- Not to jump on a slide.
- Not to climb on top of the swing support.
- Not to attach to the swing set any item that is not specifically designed for use with the equipment, such as (but not limited to) jump ropes, clotheslines, pet leashes, cables, and chains. These may become strangulation hazards.
- To hold on to swings and climbers with both hands.
- To slide feet first, never head first.
- To watch for other children while swinging or playing near the swing set.

To also insure SAFE PLAY adults must:

- Limit climbing and swinging heights to each child's ability.
- Verify that suspended climbing ropes are secured at both ends.
- Verify that suspended climbing ropes cannot be looped back on themselves.
- Dress children appropriately for play. Use well-fitted shoes that do not have slippery soles.
- Avoid ponchos, scarves, hoods, loose fitting clothing, neckties, and any clothing with a drawstring. Serious injury could result should any part of the children's clothing become entangled in the swing set.
- Do not allow children to play wearing helmets.
- Remember that children are inventive. When they develop games that are unsafe, be alert and change the rules.

Weight limits for Treefrogs Swingsets

Fort Platform: 800 Lbs.Total Weight.

Swing Belts: 175 Lbs.

Trapeze: 125 Lbs.

Full Bucket Swing: 50 Lbs.

Toddler Bucket Swing: 50 Lbs.

Tire Swing: 125 Lbs. Total Weight

Rope Ladder: 75 Lbs.

Rock Wall: 150 Lbs.

All Slides: 125 Lbs.

Tree Frogs recommends that the weight limits for all components must not be exceeded. Failure to adhere to these and other safety guidelines could result in damage to the swing set. and/or injury to the users.

CONSUMER INFORMATION SHEET FOR PLAYGROUND SURFACING MATERIALS

The U.S. Consumer Product Safety Commission (CPSC) estimates that about 100,000 playground equipment related injuries resulting from falls to the ground surface are treated annually in U.S. hospital emergency rooms. Injuries involving this hazard pattern tend to be among the most serious of all playground injuries, and have the potential to be fatal, particularly when the injury is to the head. The surface under and around playground equipment can be a major factor in determining the injury-causing potential of a fall. It is self-evident that a fall onto a shock-absorbing surface is less likely to cause a serious injury than a fall onto a hard surface. However, it should be recognized that some injuries from falls will occur no matter what playground surfacing material is used.

Playground equipment should never be placed on hard surfaces such as concrete or asphalt. Grass may appear to be acceptable, but can turn to hard packed earth in areas of high traffic. Shredded bark mulch, wood chips, or fine gravel are considered to be acceptable shock absorbing surfaces when installed and maintained at a sufficient depth under and around play equipment.

TABLE 1 -CRITICAL HEIGHTS (in feet) OF TESTED MATERIAL

MATERIAL	UNCOMPRESSED DEPTH			COMPRESSED DEPTH
	6 Inch	9 Inch	12 Inch	9 inch
Wood Chips	7	10	11	10
Double Shredded Bark Mulch	6	10	11	7
Engineered Wood Fibers	6	7	>12	6
Fine Sand	5	5	9	5
Coarse Sand	5	5	6	4
Fine Gravel	6	7	10	6
Medium Gravel	5	5	6	5
Shredded Tires**	10-12	N/A	N/A	N/A

** This is data from tests conducted by independent testing laboratories on a 6 inch depth of uncompressed shredded tire samples produced by four manufacturers. The test reported critical heights, which varied from 10 feet to greater than 12 feet. It is recommended that persons seeking to install shredded tires as a protective surface request test data from the supplier showing the critical height of the material when it was tested in accordance with ASTM F1292.

Table 1 should be read as follows: If, for example, uncompressed wood chips are used at a minimum of 6 inches, the Critical Height is 7 feet. If 9 inches of uncompressed wood chips are used, the Critical Height is 10 feet. It should be noted that, for some materials, the Critical Height decreases when the material is compressed. It is recommended that a shock absorbing material should extend a minimum of 6 feet in all directions from the perimeter of stationary equipment such as climbers and slides. However, because children may deliberately jump from a moving swing, the shock absorbing material should extend in the front and rear of a swing a minimum distance of 2 times the height of the pivot point measured from a point directly beneath the pivot on the supporting structure.

This information is intended to assist in comparing the relative shock-absorbing properties of various materials. No particular material is recommended over another. However, each material is only effective when properly maintained. Materials should be checked periodically and replenished to maintain correct depth as determined necessary for your equipment. The choice of a material depends on the type and height of the playground equipment, the availability in your area, and its cost.

This information has been extracted from the CPSC publications "Playground Surfacing-Technical Information Guide" and "Handbook for Public Playground Safety." Copies of these reports can be obtained by sending a postcard to:

Office of Public Affairs
U.S. Consumer Product Safety Commission
Washington, D.C. 20207

Toll-free Hotline: 1-800-638-2772 or at <http://www.cpsc.gov>

2018 TREE FROGS Limited Lifetime Warranty

Limited 10-Year Warranty, Limited 5-Year Warranty

Tree Frogs Warranties all Jaguar Playcenter Series, Bengal Forts Series, MegaDeck Fort Series Redwood components and Cedar components against structural failure due to warping, wood rot, insect infestation (excluding Carpenter Bees) or decay for the period of 10 Years from the date of original purchase. This warranty does not cover cracks, fissions, checks, fading, knots and weathering that are normal natural characteristics of wood, that do not affect the structural integrity of the product. The Redwood and Cedar components warranty is extended to a Limited Lifetime Warranty to the original owner upon registering this warranty within 90 days of purchase at www.treefrogsswingsets.com.

Tree Frogs Warranties all Parrot Island Fort Series, Parrot Island Playcenter Series, Rainforest Cottage Series Cedar components against structural failure due to warping, wood rot, insect infestation (excluding Carpenter Bees) or decay for a period of 10 Years from the date of original purchase. This warranty does not cover cracks, fissions, checks, fading, knots and weathering that are normal natural characteristics of wood, that do not affect the structural integrity of the product.

Tree Frogs Warranties all Toucan Fort Series, Toucan Playcenter Series, Orangutan Fort Series, Stand Alone Swings Cedar components against structural failure due to warping, wood rot, insect infestation (excluding Carpenter Bees) or decay for a period of 5 Years from the date of original purchase. This warranty does not cover cracks, fissions, checks, fading, knots and weathering that are normal natural characteristics of wood, that do not affect the structural integrity of the product.

In addition, a 10-Year Limited Warranty applies to all roto-molded slides, ductile iron swing hangers, tire swivels, metal climbing rungs and swing beam brackets against failure due to rust or failure in defect in material. Surface rust, fading, weathering, cracks/chips in coatings and corrosion that do not affect structural integrity are not covered by this warranty.

Furthermore, a 5-Year Limited Warranty applies to all components & accessories including all swings, chain ladders, gliders, handles, brackets, bubble panels, tarps, steering/ships wheels, telescopes, binoculars, buoy ball, blow molded slides and disc seat that are not covered under the 10-Year Warranty to be free from defects in material and workmanship. Surface rust, fading, weathering, cracks/chips in coatings and corrosion that do not affect structural integrity are not covered by this warranty.

And for a period of 1-Year Tree Frogs warranties all ropes, structural foam molded slides to be free of defects in material and workmanship. Fading is not considered a defect and may occur with seasonal and geographical conditions.

*10-Year Warranty Exclusion: Toucan Fort Series, Toucan Playcenter Series, Orangutan Series, Stand Alone Swings (Limited 5Yr/5Yr/1Yr WARRANTY).

This warranty is limited to a repair or replacement of the defective part. Product covered under this warranty will be shipped at the customer's expense. Tree Frogs is not responsible for any expense associated with freight, or delivery and installation of the warranted part(s). Tree Frogs reserves the right to inspect all warranty claim parts for which a claim has been made.

This limited warranty applies only to the original retail purchaser and for residential use only, non-residential use voids warranty. These warranties void when product is transferred or sold or no longer in possession by original owner. A copy of the original invoice must be presented to initiate warranty claim. This limited warranty does not cover damage from abuse, acts of God, vandalism, maintenance guideline neglect, alterations, normal wear & tear, use other than residential, unauthorized modification, damage due to moving of product or improper installation and or use. Any modification could damage the structural integrity of the play system and voids all warranties.

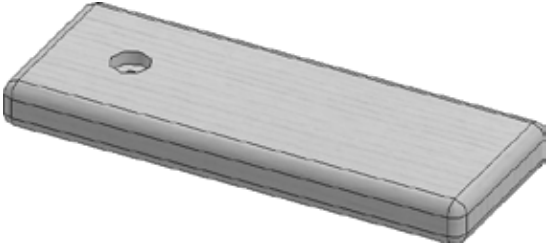

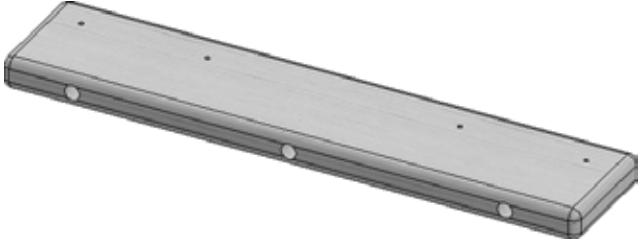
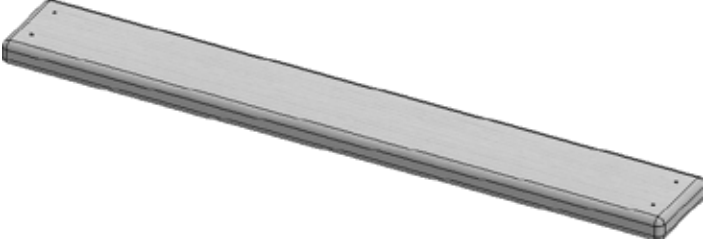
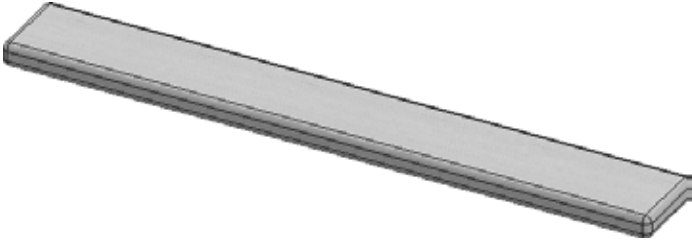
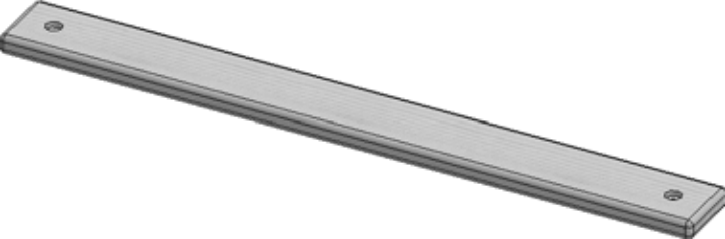
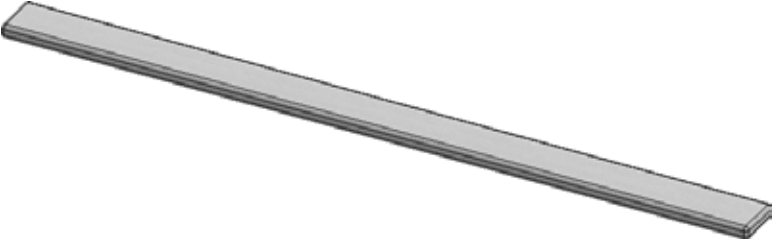
This warranty is exclusive and expressly in lieu of all other warranties, expressed or implied, including warranties of merchantability or fitness for use. Tree Frogs does not assume, or authorize any person to assume for us, any other liability in connection with the sale of our products.

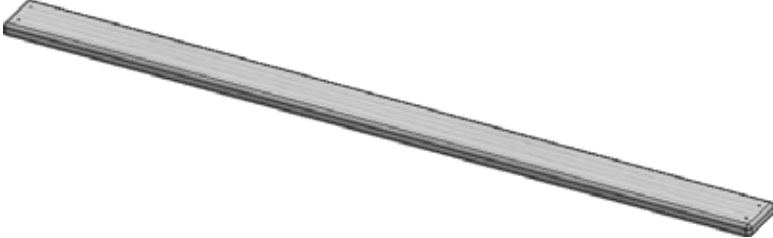
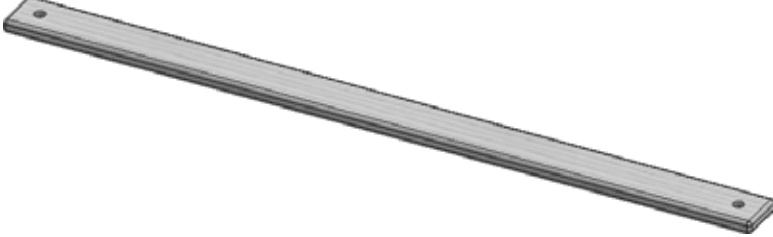
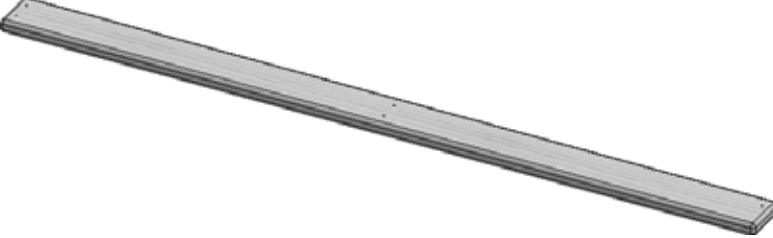
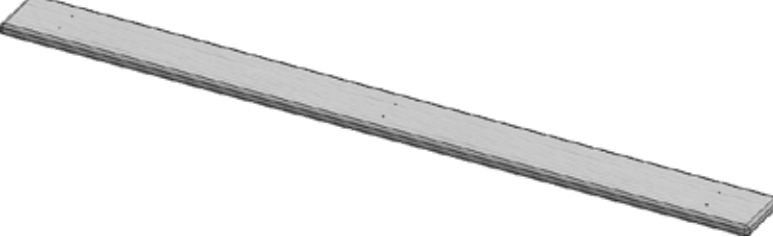
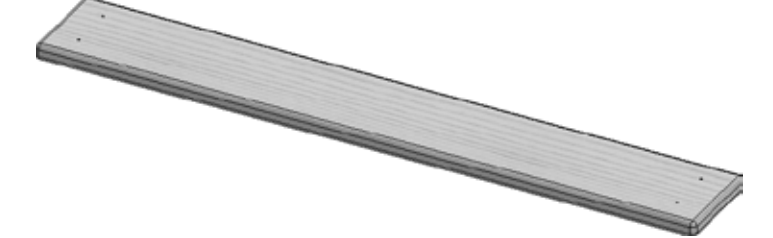
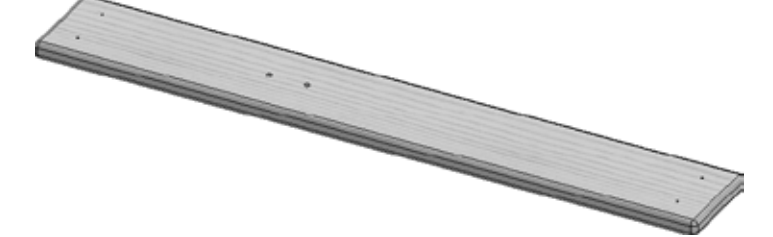
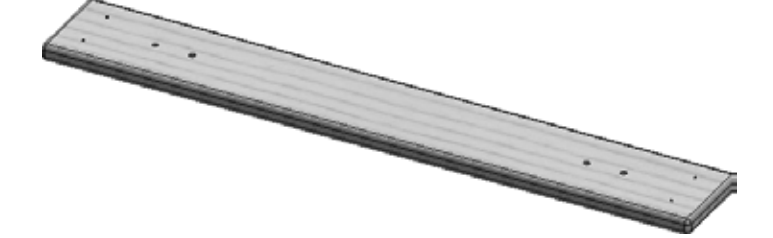
This warranty gives you specific legal rights, and you also may have other rights that vary from state to state.

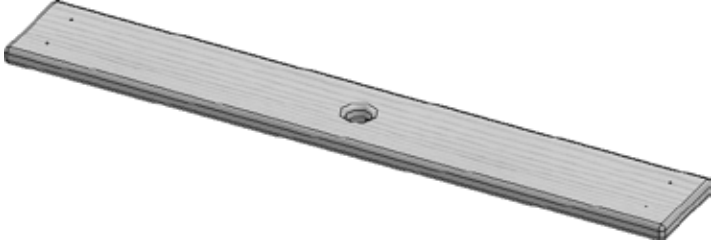
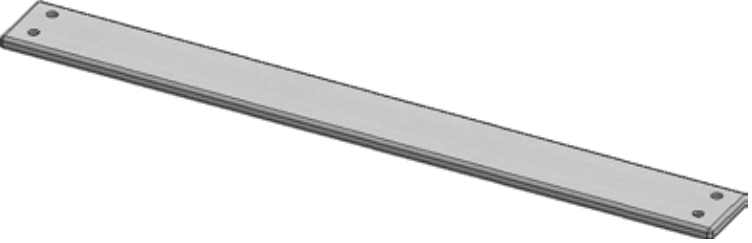

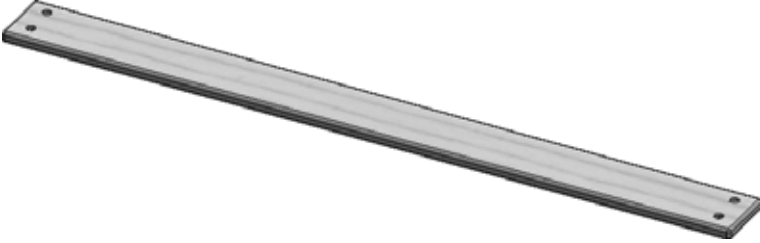
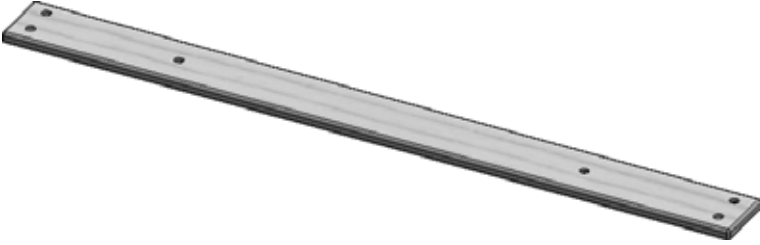

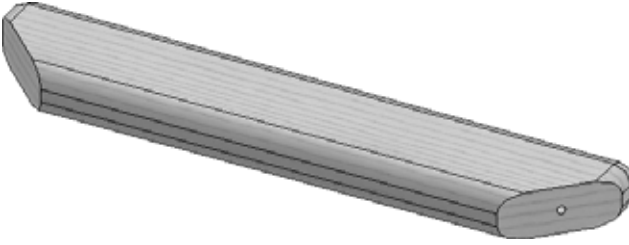
Register your play system's warranty at www.treefrogsswingsets.com.

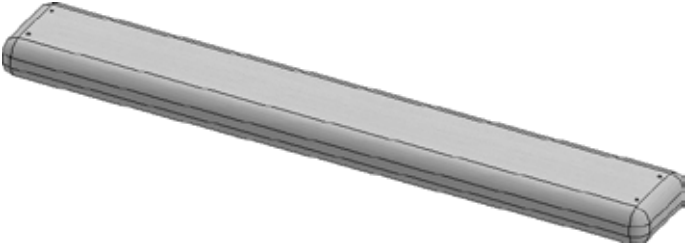

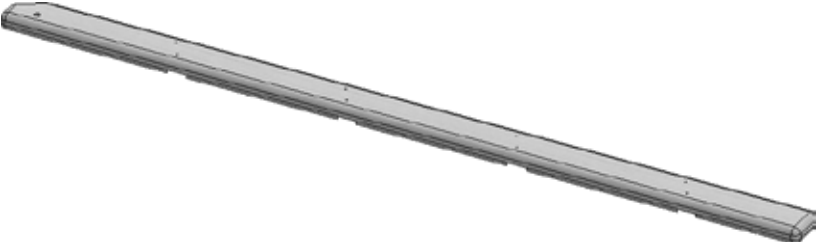
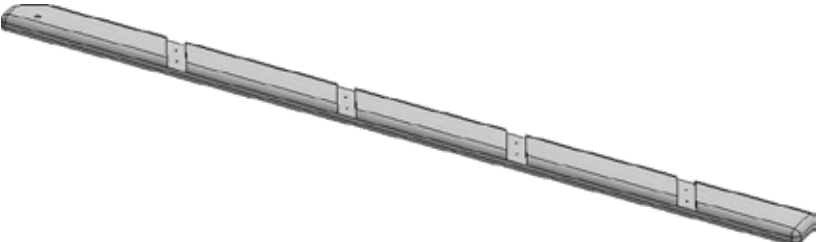


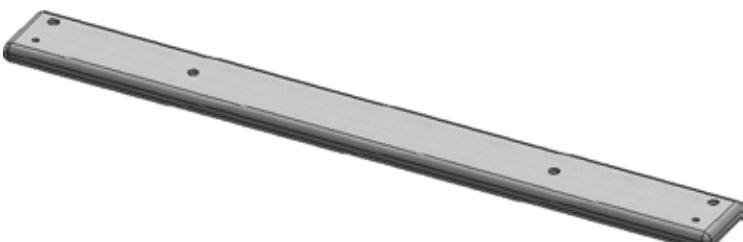
Tree Frogs reserves the right at any time to change product specifications or substitute similar components.

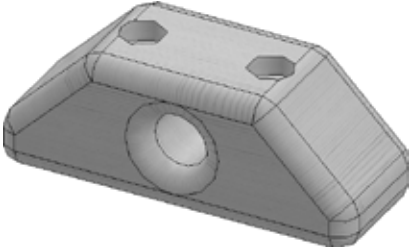
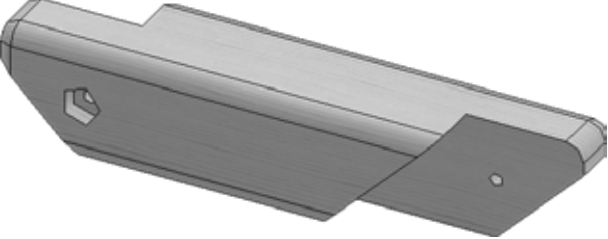
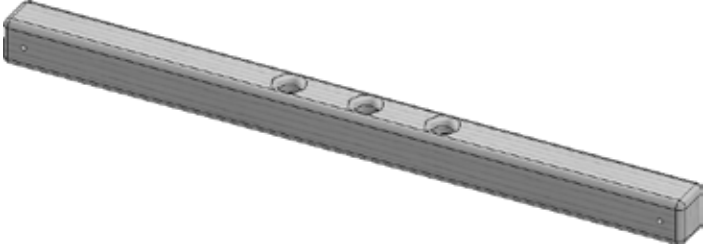
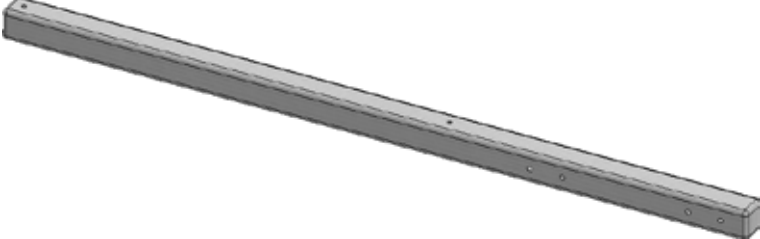
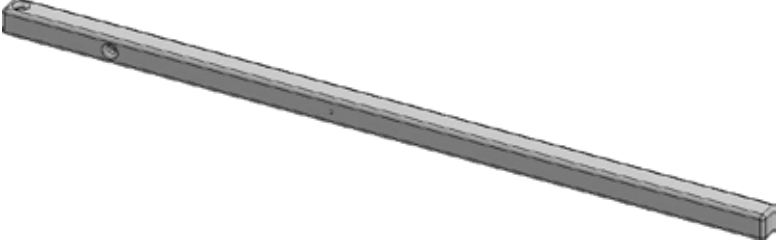
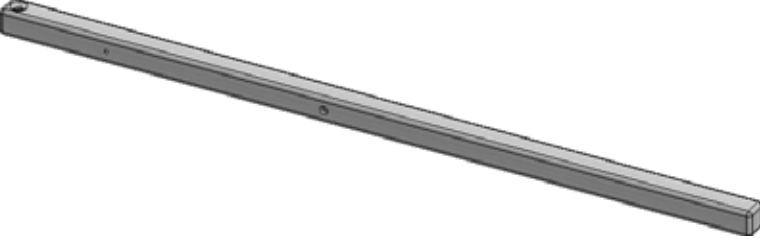
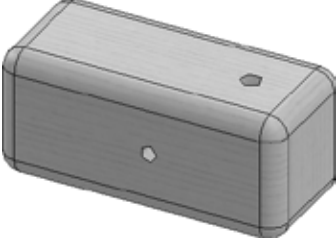
See your instruction manual for guidelines on regular maintenance. <http://treefrogsshowrooms.com/installation-manuals/> . Your child's play system & perimeter play zone should be inspected regularly for any wear & safety hazards.

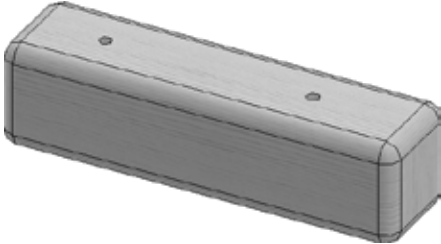
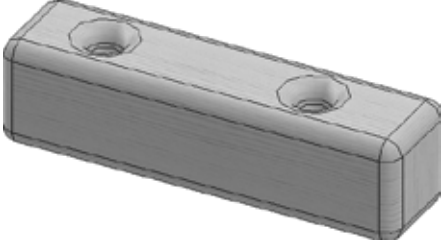
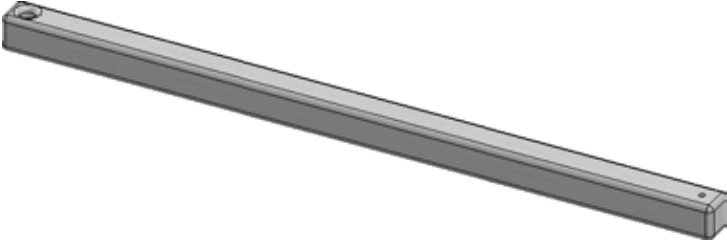

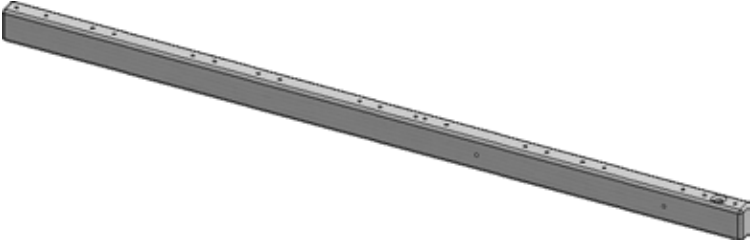
Parrot Island Fort	Description	QTY.
	306-1 Small Corner Facia Box 1 of 3	2
	306-2 Picnic Seat Support Box 1 of 3	2
	306-3 Tic Tac Toe Board Box 1 of 3	2
	306-4 Spindle Box 2 of 3	14
	306-5 Picnic Table Support Box 2 of 3	1
	306-6 Corner Facia Box 2 of 3	2
	306-7 Deck Support Box 2 of 3	1

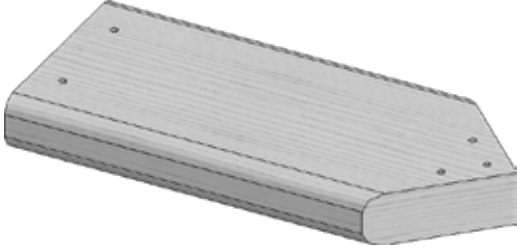
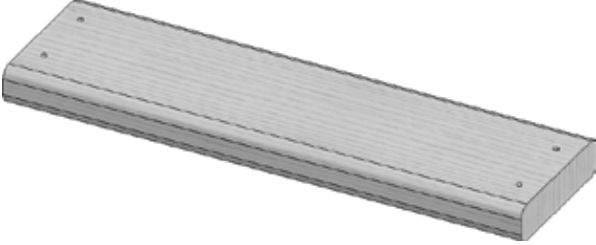
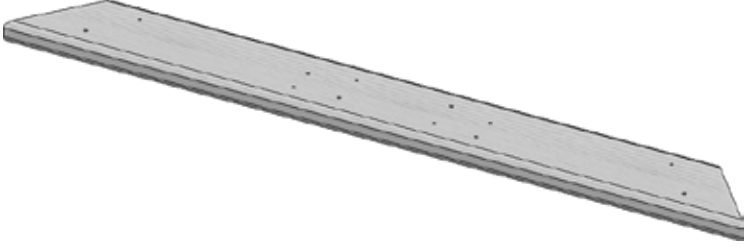
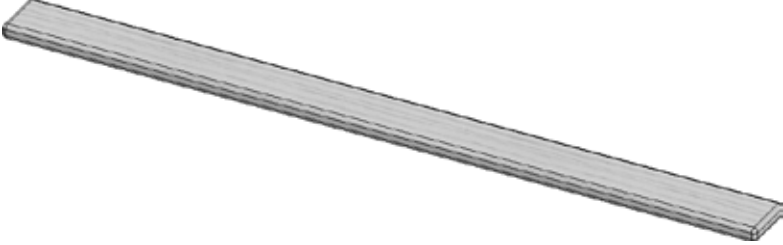
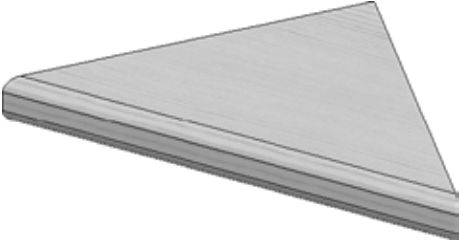
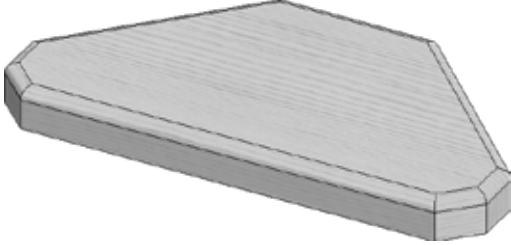
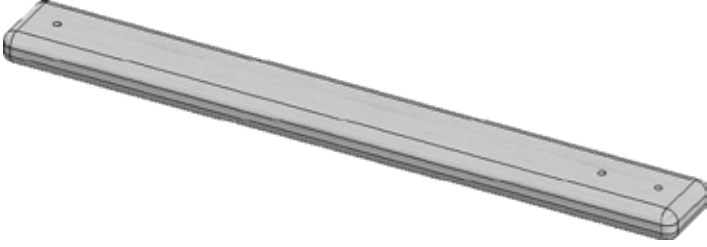
Parrot Island Fort	Description	QTY.
	306-8 Center Tarp Board Box 2 of 3	1
	306-9 End Tarp Board Box 2 of 3	2
	306-10 End Deck Board Box 2 of 3	4
	306-11 Deck & Picnic Board Box 1 of 3	18
	306-12 Blank Rockwall Board Box 2 of 3	2
	306-13 1- Rock Rockwall Board Box 2 of 3	6
	306-14 2- Rock Rockwall Board Box 2 of 3	3

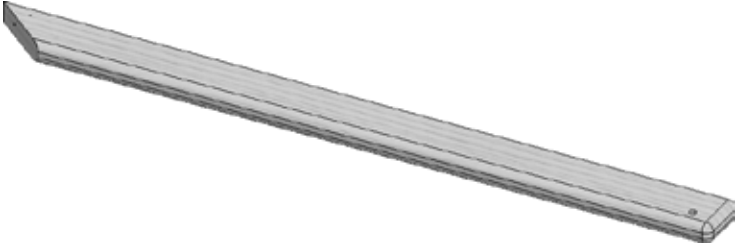
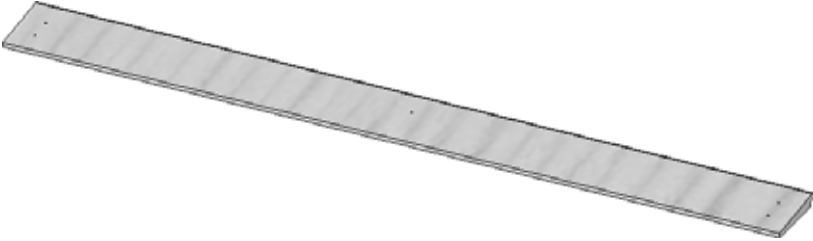
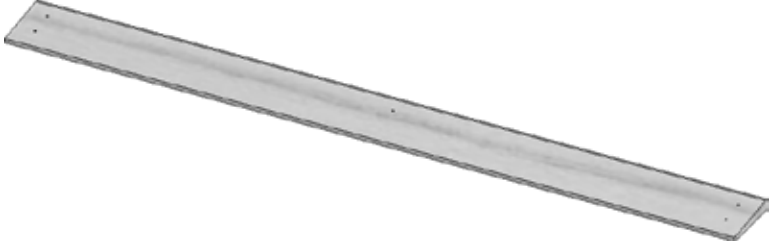
Parrot Island Fort	Description	QTY.
	<p>306-15 Rockwall Board w/ Rope Hole Box 2 of 3</p>	<p>1</p>
	<p>306-16 4- Hole Facia Box 1 of 3</p>	<p>4</p>
	<p>306-17 6- Hole Facia Box 1 of 3</p>	<p>2</p>
	<p>306-18 4- Hole Facia Box 1 of 3</p>	<p>2</p>
	<p>306-19 6- Hole Deck Facia Box 1 of 3</p>	<p>2</p>
	<p>306-20 Ladder Step Box 2 of 3</p>	<p>4</p>
	<p>306-21 Gussett Box 3 of 3</p>	<p>8</p>

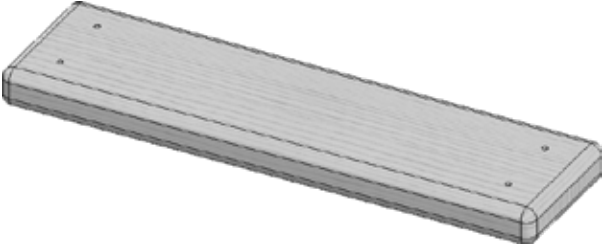
Parrot Island Fort	Description	QTY.
	306-22 Ladder Facia Box 2 of 3	1
	306-23 Picnic Mainbeam Box 2 of 3	4
	306-24 Right Ladder Leg Box 2 of 3	1
	306-25 Left Ladder Leg Box 2 of 3	1
	306-26 Rockwall Ladder Leg Box 2 of 3	2
	306-27 Tarp Center Post Box 3 of 3	2
	306-28 Mainbeam Box 3 of 3	2

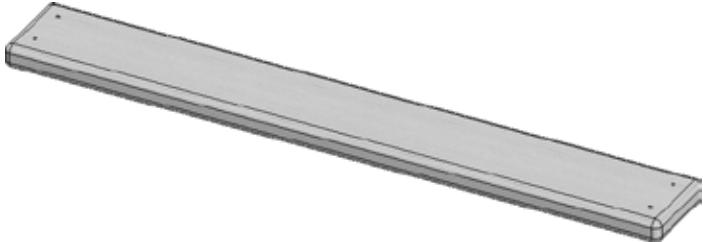
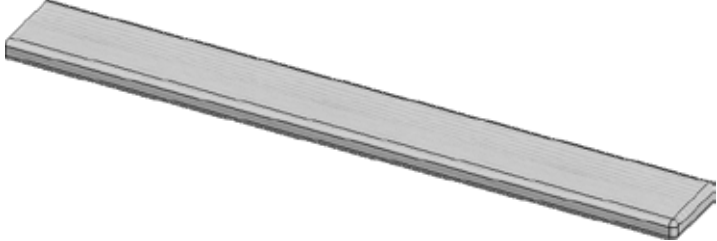
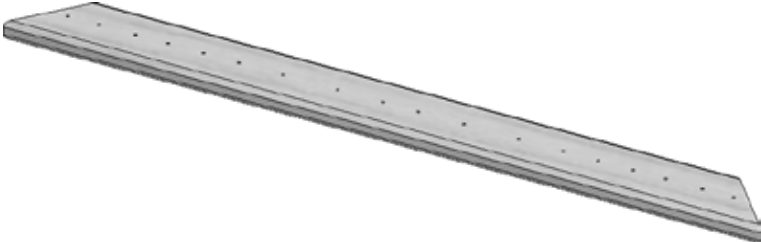

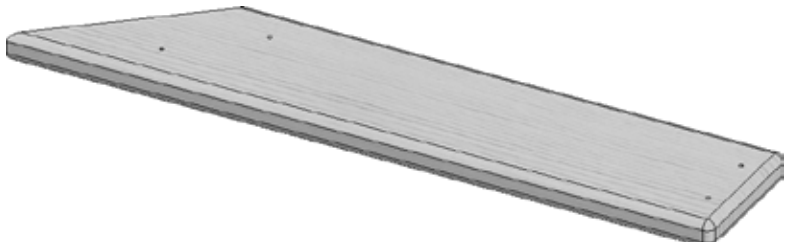
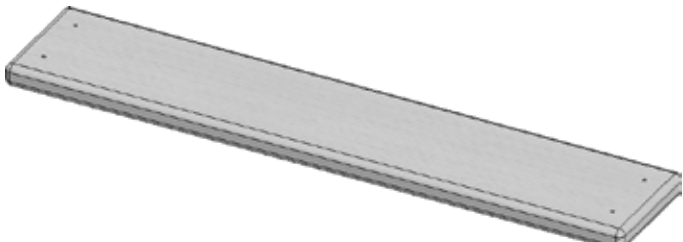
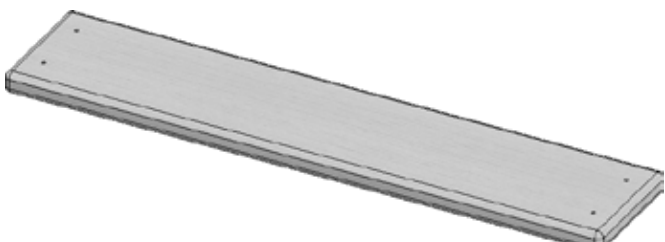
Parrot Island Fort	Description	QTY.
	<p>306-29 Rope Block Box 3 of 3</p>	<p>1</p>
	<p>306-30 Trapeze Gussett Box 3 of 3</p>	<p>1</p>
	<p>306-31 Swingbeam Top Joist Box 3 of 3</p>	<p>1</p>
	<p>306-32 Trapeze Arm Box 3 of 3</p>	<p>1</p>
	<p>306-33 Left Corner Post Box 3 of 3</p>	<p>2</p>
	<p>306-34 Right Corner Post Box 3 of 3</p>	<p>2</p>
	<p>010-1 Center A- Frame Block Box 3 of 3</p>	<p>1</p>

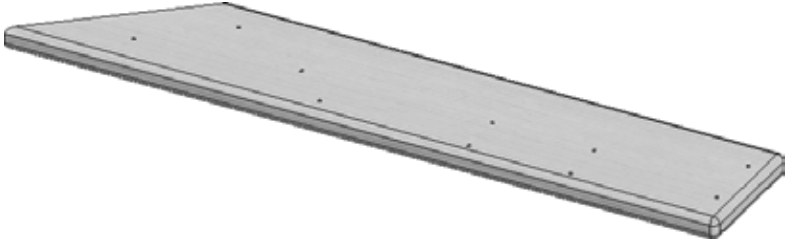
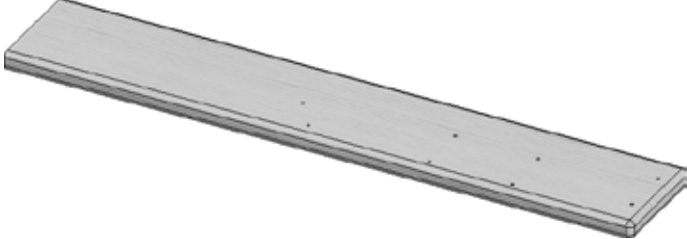
Parrot Island Fort	Description	QTY.
	<p>010-2 A- Frame Block Box 3 of 3</p>	<p>1</p>
	<p>010-3 A- Frame Block Sinked</p>	<p>1</p>
	<p>010-4 A- Frame Crossmember Box 3 of 3</p>	<p>1</p>
	<p>010-5 A- Frame Leg Box 3 of 3</p>	<p>2</p>
	<p>010-7 3 Position Swingbeam Box 3 of 3</p>	<p>1</p>

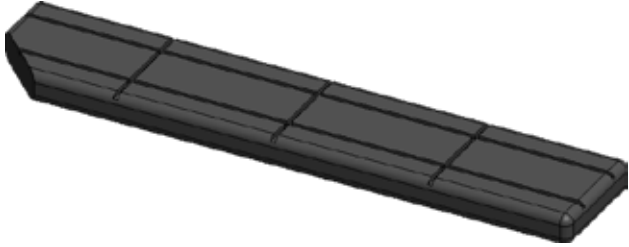
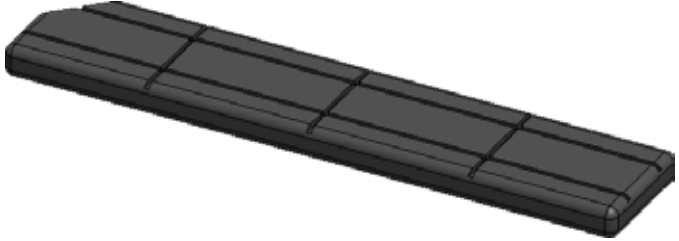
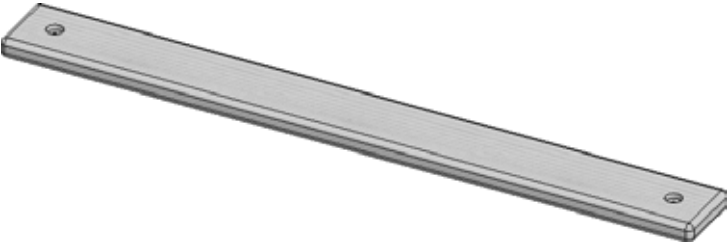
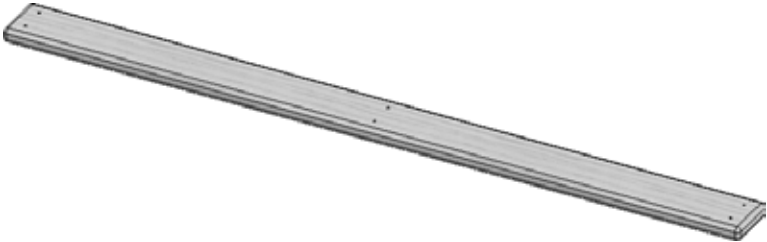
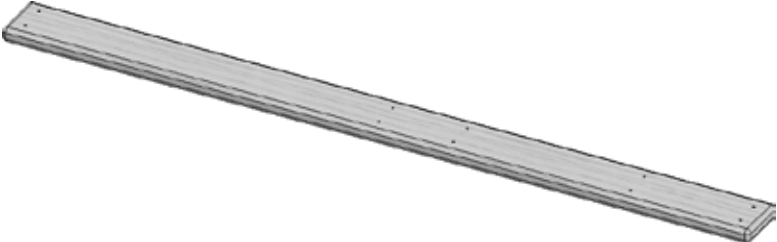
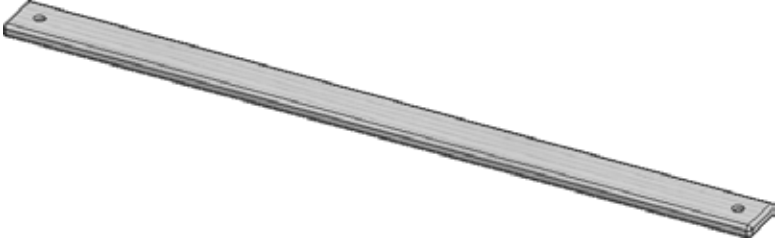
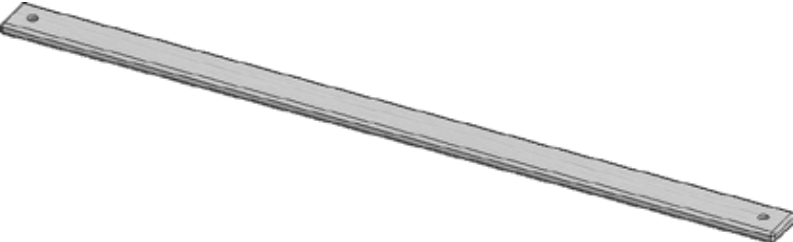
Parrot Island Fort Wood Roof Option	Description	QTY.
	<p>303-1 Fan Board Box 1 of 1</p>	<p>4</p>
	<p>303-2 Center Fan Board Box 1 of 1</p>	<p>2</p>
	<p>303-3 Bottom Fan Board Box 1 of 1</p>	<p>2</p>
	<p>303-4 Wood Roof Center Support Box 1 of 1</p>	<p>2</p>
	<p>303-5 Peak Fascia Box 1 of 1</p>	<p>2</p>
	<p>303-6 Center Fan Fascia Box 1 of 1</p>	<p>2</p>
	<p>303-7 WR Center Post Box 1 of 1</p>	<p>2</p>

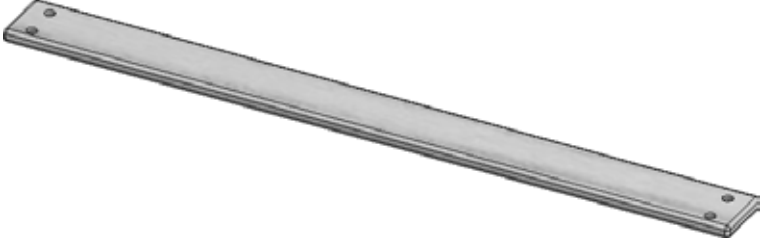
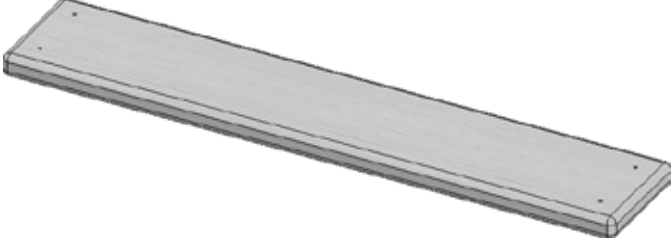
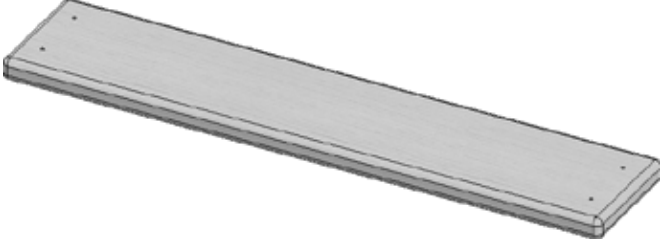
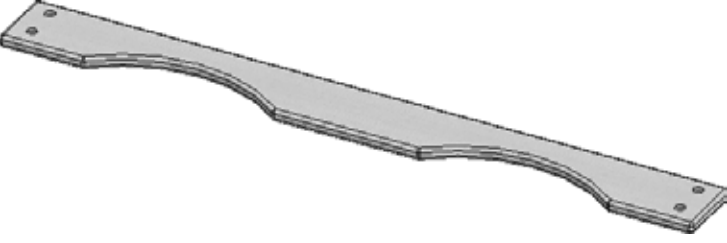
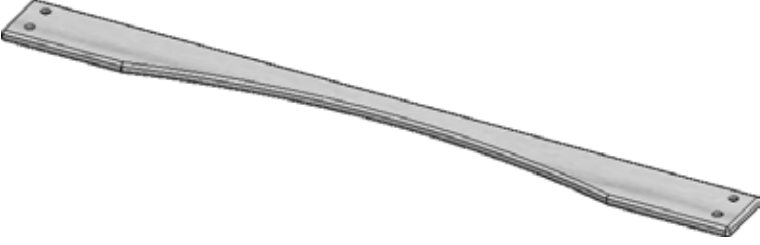
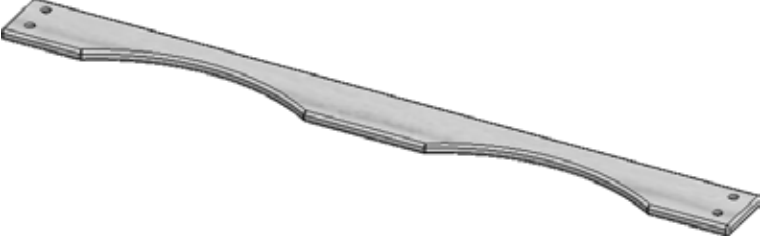
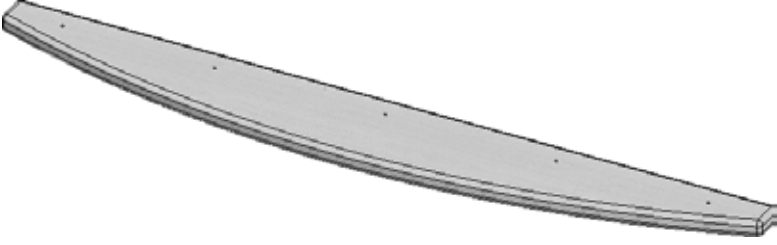
Parrot Island Fort Wood Roof Option	Description	QTY.
	<p>303-8 Wood Roof Support Box 1 of 1</p>	<p>4</p>
	<p>303-9 Wood Roof Board Box 1 of 1</p>	<p>20</p>
	<p>303-10 End Wood Roof Board Box 1 of 1</p>	<p>2</p>

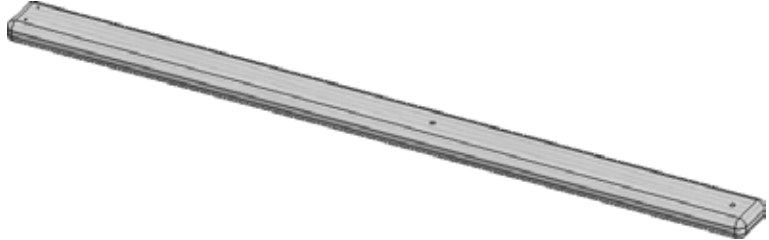
Parrot Island Fort Treehouse Panels Option	Description	QTY.
	<p>304-1 Upper Short Support Box 1 of 1</p>	<p>2</p>
	<p>304-2 Right Window Shutter Box 1 of 1</p>	<p>4</p>
	<p>304-3 Left Window Shutter Box 1 of 1</p>	<p>4</p>
	<p>304-4 Upper Small Side Board Box 1 of 1</p>	<p>12</p>
	<p>304-5 Right Angle Board Box 1 of 1</p>	<p>4</p>
	<p>304-6 Right Short Upper Board Box 1 of 1</p>	<p>8</p>
	<p>304-7 Window Arch Box 1 of 1</p>	<p>4</p>

Parrot Island Fort Treehouse Panels Option	Description	QTY.
	<p>304-8 Spindle Box 1 of 1</p>	<p>8</p>
	<p>304-9 Center Board Box 1 of 1</p>	<p>2</p>
	<p>304-10 Upper Back Board Box 1 of 1</p>	<p>2</p>
	<p>304-11 Upper Arch Facia Box 1 of 1</p>	<p>2</p>
	<p>304-12 Right Upper Board Box 1 of 1</p>	<p>4</p>
	<p>304-13 Upper Side Board Box 1 of 1</p>	<p>2</p>
	<p>304-14 Upper Side Board- Wide Box 1 of 1</p>	<p>2</p>

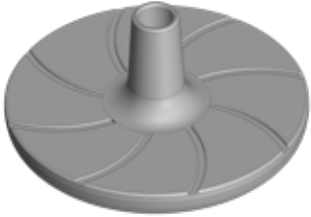

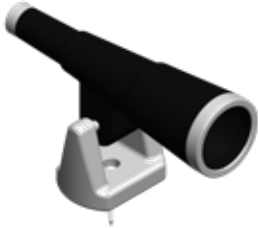




Parrot Island Fort Treehouse Panels Option	Description	QTY.
	304-15 Right Upper Board Box 1 of 1	4
	304-16 Large Right Upper Board Box 1 of 1	4



Parrot Island Fort Playhouse Panels Option	Description	QTY.
	<p>305-1 Left Window Shutter Box 1 of 1</p>	6
	<p>305-2 Right Window Shutter Box 1 of 1</p>	6
	<p>305-3 Door Side Facia Box 1 of 1</p>	2
	<p>305-4 Panel Board #1 Box 1 of 1</p>	4
	<p>305-5 Panel Board #2 Box 1 of 1</p>	12
	<p>305-6 Panel Facia Box 1 of 1</p>	4
	<p>305-7 Store Side Panel Facia Box 1 of 1</p>	2

Parrot Island Fort Playhouse Panels Option	Description	QTY.
	<p>305-8 Upper SB Side Facia Box 1 of 1</p>	<p>1</p>
	<p>305-9 Panel Board #3 Box 1 of 1</p>	<p>16</p>
	<p>305-10 Panel Board #4 Box 1 of 1</p>	<p>8</p>
	<p>305-11 Panel Arch Box 1 of 1</p>	<p>2</p>
	<p>305-12 Store Side Arch Box 1 of 1</p>	<p>1</p>
	<p>305-13 Door Side Arches Box 1 of 1</p>	<p>1</p>
	<p>305-14 Store Counter Box 1 of 1</p>	<p>1</p>

Parrot Island Fort Playhouse Panels Option	Description	QTY.
	305-15 Center Panel Support Box 1 of 1	1

Parrot Island Fort	Description	QTY.
	<p>306-A Ductile Iron Swing Hangers</p>	<p>6</p>
	<p>306-B Playgrip Safety Handles</p>	<p>4</p>
	<p>306-C U-Mount Ladder Handles</p>	<p>2</p>
	<p>306-D Small 90 Degree Bracket</p>	<p>6</p>
	<p>306-E 90 Degree Ladder/ Rockwall Bracket</p>	<p>4</p>
	<p>306-F Swingbeam Tri- Plate</p>	<p>1</p>
	<p>306-G Spiral Ground Anchor</p>	<p>4</p>

Parrot Island Fort	Description	QTY.
	<p>306-H Disc Swing</p>	<p>1</p>
	<p>306-I 12" Ship's Wheel</p>	<p>1</p>
	<p>306-J Telescope</p>	<p>1</p>
	<p>306-K 16" Trapeze Bar</p>	<p>1</p>
	<p>306-L 14' Yellow Rope</p>	<p>2</p>
	<p>306-M Small Tic Tac Toe</p>	<p>1</p>
	<p>306-N Rockwall Rocks</p>	<p>12</p>

Parrot Island Fort	Description	QTY.
	306-O 56" Chained Belt Swing	2
	306-P 45 Degree Swingbeam Bracket	2

306-HBR-HWR (PARROT ISLAND FORT HARDWARE BAG)

INSTALLER NOTE: (YOU MUST ASSEMBLE THIS PRODUCT IN ACCORDANCE WITH THESE ASSEMBLY INSTRUCTIONS. WHEN COMPLETE GIVE MANUAL TO OWNER.)

Bag-A-1
3/8" Acorn Nut Plated
QTY. 12



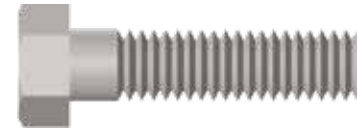
Bag-A-2
3/8" Hex Nut
QTY. 4



Bag-A-3
1/4" x 2" Hex Bolt
QTY. 6



Bag-A-4
3/8" x 1 1/2" Hex Bolt
QTY. 4



Bag-A-5
3/8" x 4 1/2" Hex Bolt
QTY. 4



Bag-A-8
1/4" x 2" Hex Lag Screw
QTY. 8



Bag-A-6
3/8" 5" Hex Bolt
QTY. 4



Bag-A-7
3/8" x 7" Hex Bolt
QTY. 4



Note: Hardware Pictures above may not be to scale, please use a Tape Measure to Verify Length. Measurement should be taken from the bottom of the bolt head to the bottom of the bolt.

NOTE: HARDWARE PICTURES ARE FOR ILLUSTRATIVE PURPOSES ONLY AND MAY DIFFER FROM THE ACTUAL PRODUCT. FOR EXAMPLE - TREAD COUNT AND LENGTH OF TREAD ON BOLT. *

306-HBR-HWR (PARROT ISLAND FORT HARDWARE BAG)

INSTALLER NOTE: (YOU MUST ASSEMBLE THIS PRODUCT IN ACCORDANCE WITH THESE ASSEMBLY INSTRUCTIONS. WHEN COMPLETE GIVE MANUAL TO OWNER.)

Bag-A-9
1/4" x 4 1/2" Hex Lag Screw
QTY. 9



Bag-A-10
3/8" x 3 1/2" Hex Lag Screw
QTY. 6



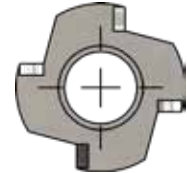
Bag-A-11
3/8" x 5" Hex Lag Screw
QTY. 2



Bag-A-12
3/8" Nylon Insert Locknut
QTY. 4



Bag-A-13
3/8" 4- Prong T-Nut
QTY. 8



Bag-A-14
3/8" Split Lockwasher
QTY. 8



Bag-A-15
3/8" Bolt Cup
QTY. 8



Bag-A-16
8 x 80mm Spring Clip
QTY. 2



Bag-A-17
#2 & #3
QTY. 1



Note: Hardware Pictures above may not be to scale, please use a Tape Measure to Verify Length. Measurement should be taken from the bottom of the bolt head to the bottom of the bolt.

NOTE: HARDWARE PICTURES ARE FOR ILLUSTRATIVE PURPOSES ONLY AND MAY DIFFER FROM THE ACTUAL PRODUCT. FOR EXAMPLE - TREAD COUNT AND LENGTH OF TREAD ON BOLT. *

306-HBR-HWR (PARROT ISLAND FORT HARDWARE BAG)

INSTALLER NOTE: (YOU MUST ASSEMBLE THIS PRODUCT IN ACCORDANCE WITH THESE ASSEMBLY INSTRUCTIONS. WHEN COMPLETE GIVE MANUAL TO OWNER.)

Bag-B
1 1/2" Coated Deck Screw
QTY. 108



Bag-C
2" Coated Deck Screw
QTY. 146



Bag-D
2 1/2" Coated Deck Screw
QTY. 22



Bag-E
1/4" x 3" Hex Lag Screw
QTY. 58



Bag-F
#14 x 1" Pan Phillips T/S
QTY. 40



Bag-G
1/4" x 1 1/4" Pan Phillips M/S
QTY. 27



Bag-H
1/4" 4- Prong T-Nut
QTY. 33



Bag-I
1/4" USS Flatwasher
QTY. 148



Bag-J
3/8" USS Flatwasher
QTY. 24



Bag-K
5/8" Phillips Screw Snap
QTY. 9



Note: Hardware Pictures above may not be to scale, please use a Tape Measure to Verify Length. Measurement should be taken from the bottom of the bolt head to the bottom of the bolt.

NOTE: HARDWARE PICTURES ARE FOR ILLUSTRATIVE PURPOSES ONLY AND MAY DIFFER FROM THE ACTUAL PRODUCT. FOR EXAMPLE - TREAD COUNT AND LENGTH OF TREAD ON BOLT. *

306-SB-HWR (PARROT ISLAND FORT SWINGBEAM HARDWARE BAG)

INSTALLER NOTE: (YOU MUST ASSEMBLE THIS PRODUCT IN ACCORDANCE WITH THESE ASSEMBLY INSTRUCTIONS. WHEN COMPLETE GIVE MANUAL TO OWNER.)

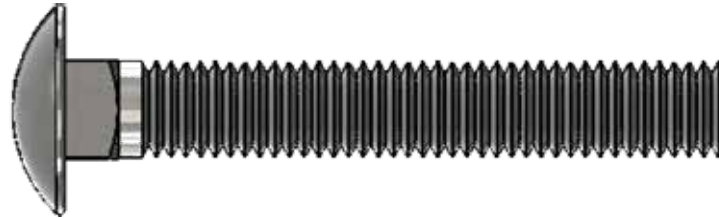
SBH-1
3/8" Acorn Nut Plated
QTY. 10



SBH-2
1/2" Acorn Nut Plated
QTY. 9



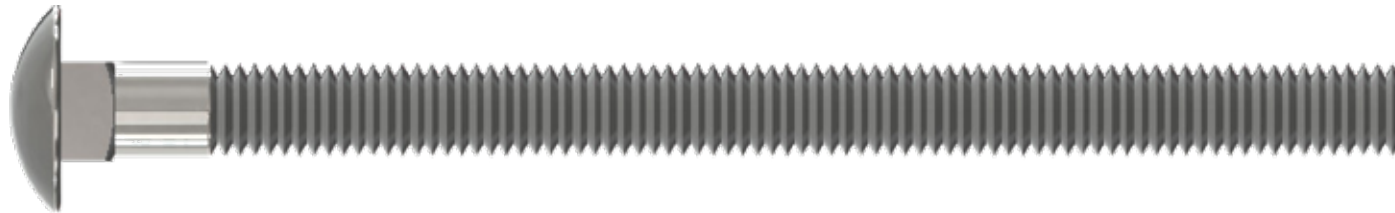
SBH-3
1/2" x 3 1/2" Carriage Bolt
QTY. 2



SBH-6
3/8" Hex Nut
QTY. 2



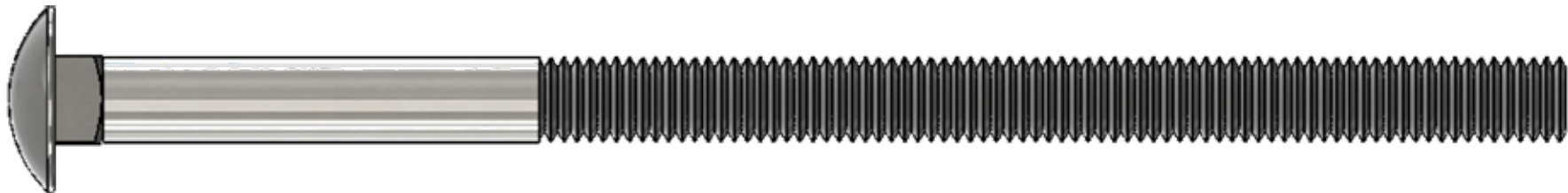
SBH-4
1/2" x 7" Carriage Bolt
QTY. 5



SBH-7
1/2" Hex Nut
QTY. 9



SBH-5
1/2" x 9" Carriage Bolt
QTY. 1



Note: Hardware Pictures above may not be to scale, please use a Tape Measure to Verify Length. Measurement should be taken from the bottom of the bolt head to the bottom of the bolt.

NOTE: HARDWARE PICTURES ARE FOR ILLUSTRATIVE PURPOSES ONLY AND MAY DIFFER FROM THE ACTUAL PRODUCT. FOR EXAMPLE - TREAD COUNT AND LENGTH OF TREAD ON BOLT. *

306-SB-HWR (PARROT ISLAND FORT SWINGBEAM HARDWARE BAG)

INSTALLER NOTE: (YOU MUST ASSEMBLE THIS PRODUCT IN ACCORDANCE WITH THESE ASSEMBLY INSTRUCTIONS. WHEN COMPLETE GIVE MANUAL TO OWNER.)

SBH-8
3/8" x 7" Hex Bolt
QTY. 8



SBH-13
3/8" Nylon Insert Locknut
QTY. 8



SBH-9
3/8" x 10" Hex Bolt
QTY. 2



SBH-10
1/2" x 11 1/2" Hex Bolt
QTY. 1



SBH-12
3/8" x 5" Hex Lag Screw
QTY. 2



SBH-14
#14 x 1" Pan Phillips T/S
QTY. 2



Note: Hardware Pictures above may not be to scale, please use a Tape Measure to Verify Length. Measurement should be taken from the bottom of the bolt head to the bottom of the bolt.

NOTE: HARDWARE PICTURES ARE FOR ILLUSTRATIVE PURPOSES ONLY AND MAY DIFFER FROM THE ACTUAL PRODUCT. FOR EXAMPLE - TREAD COUNT AND LENGTH OF TREAD ON BOLT. *

306-SB-HWR (PARROT ISLAND FORT SWINGBEAM HARDWARE BAG)

INSTALLER NOTE: (YOU MUST ASSEMBLE THIS PRODUCT IN ACCORDANCE WITH THESE ASSEMBLY INSTRUCTIONS. WHEN COMPLETE GIVE MANUAL TO OWNER.)

SBH-15
3/8" Split Lockwasher
QTY. 10



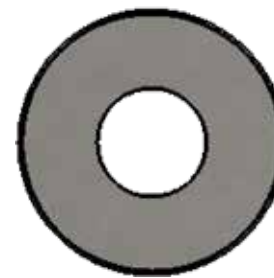
SBH-16
1/2" Split Lockwasher
QTY. 9



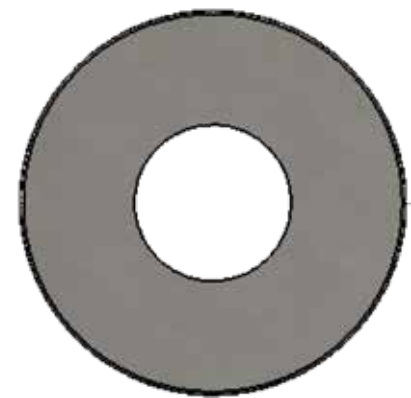
SBH-17
3/8" USS Flatwasher
QTY. 14



SBH-18
1/2" USS Flatwasher
QTY. 10



SBH-19
3/4" USS Flatwasher
QTY. 8



SBH-20
3/8" Bolt Cup
QTY. 10



SBH-21
8 x 80mm Spring Clip
QTY. 4



SBH-22
3/8" x 3 1/2" Hex Lag Screw
QTY. 2



Note: Hardware Pictures above may not be to scale, please use a Tape Measure to Verify Length. Measurement should be taken from the bottom of the bolt head to the bottom of the bolt.

NOTE: HARDWARE PICTURES ARE FOR ILLUSTRATIVE PURPOSES ONLY AND MAY DIFFER FROM THE ACTUAL PRODUCT. FOR EXAMPLE - TREAD COUNT AND LENGTH OF TREAD ON BOLT. *

303-HWR (PARROT ISLAND FORT WOOD ROOF HARDWARE)

INSTALLER NOTE: (YOU MUST ASSEMBLE THIS PRODUCT IN ACCORDANCE WITH THESE ASSEMBLY INSTRUCTIONS. WHEN COMPLETE GIVE MANUAL TO OWNER.)

A-1
3/8" Acorn Nut Plated
QTY. 4



A-2
1 1/4" Coated Deck Screw
QTY. 22



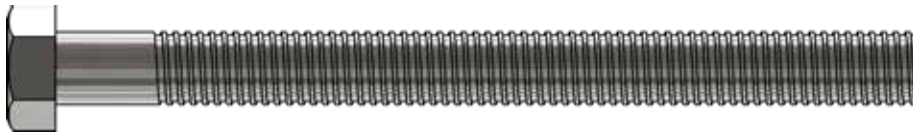
A-3
1 1/2" Coated Deck Screw
QTY. 140



A-4
2" Coated Deck Screw
QTY. 8



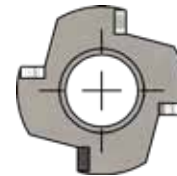
A-5
3/8" x 4 1/2" Hex Bolt
QTY. 4



Bag-A-8
#2 & #3
QTY. 1



A-6
3/8" 4 Prong T-Nut
QTY. 4



A-7
3/8" Bolt Cup
QTY. 4



Note: Hardware Pictures above may not be to scale, please use a Tape Measure to Verify Length. Measurement should be taken from the bottom of the bolt head to the bottom of the bolt.

NOTE: HARDWARE PICTURES ARE FOR ILLUSTRATIVE PURPOSES ONLY AND MAY DIFFER FROM THE ACTUAL PRODUCT. FOR EXAMPLE - TREAD COUNT AND LENGTH OF TREAD ON BOLT. *

304-HWR (PARROT ISLAND FORT TREEHOUSE PANEL HARDWARE BAG)

INSTALLER NOTE: (YOU MUST ASSEMBLE THIS PRODUCT IN ACCORDANCE WITH THESE ASSEMBLY INSTRUCTIONS. WHEN COMPLETE GIVE MANUAL TO OWNER.)

A-1
1 1/2" Coated Deck Screw
QTY. 264



A-2
1/4" x 3" Hex Lag Screw
QTY. 4



A-3
1/4" USS Flatwasher
QTY. 4



A-4
#2 & #3
QTY. 1



305-HWR (PARROT ISLAND FORT PLAYHOUSE PANELS HARDWARE BAG)

A-1
90 Degree Bracket
QTY. 1



A-2
1 1/2" Coated Deck Screw
QTY. 245



A-3
1/4" x 2" Hex Bolt
QTY. 2



A-4
1/4" x 3" Hex Lag Screw
QTY. 34



A-5
#14 x 1" Pan Phillips T/S
QTY. 2



A-6
1/4" 4- Pront T-Nut
QTY. 2



A-7
1/4" USS Flatwasher
QTY. 38



A-8
2" Coated Deck Screw
QTY. 2



A-9
#2 & #3
QTY. 1



Note: Hardware Pictures above may not be to scale, please use a Tape Measure to Verify Length. Measurement should be taken from the bottom of the bolt head to the bottom of the bolt.

NOTE: HARDWARE PICTURES ARE FOR ILLUSTRATIVE PURPOSES ONLY AND MAY DIFFER FROM THE ACTUAL PRODUCT. FOR EXAMPLE - TREAD COUNT AND LENGTH OF TREAD ON BOLT. *

Parrot Island Fort Installation

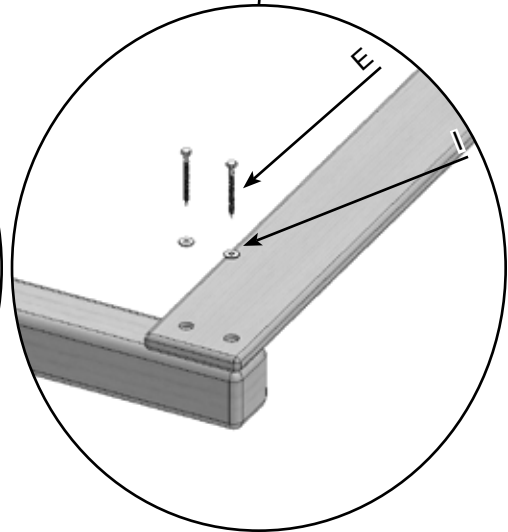
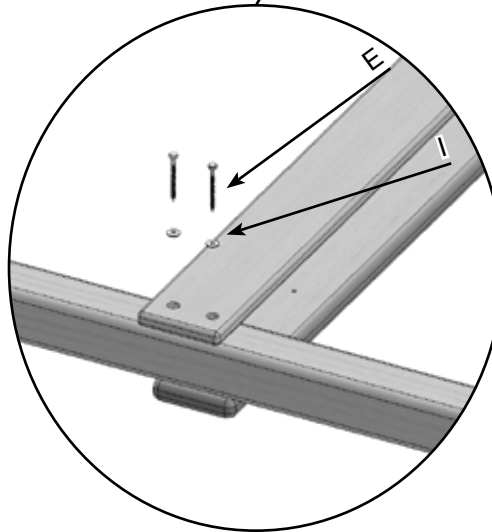
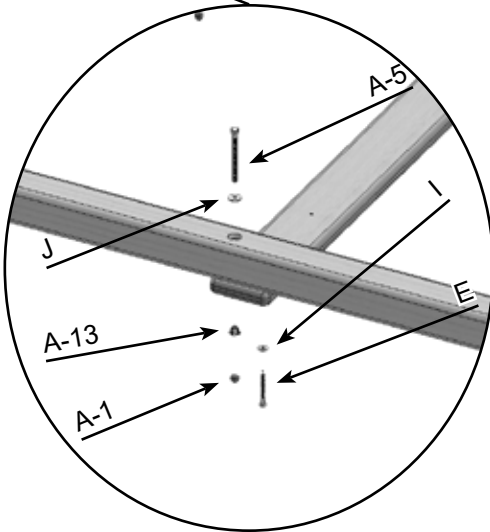
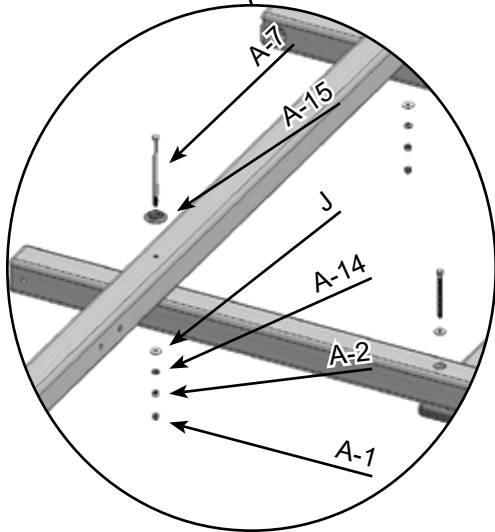
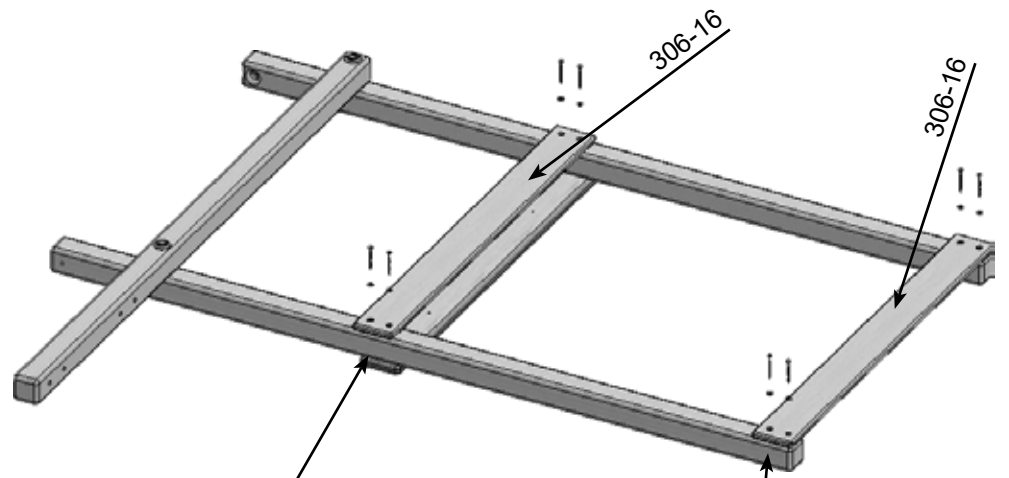
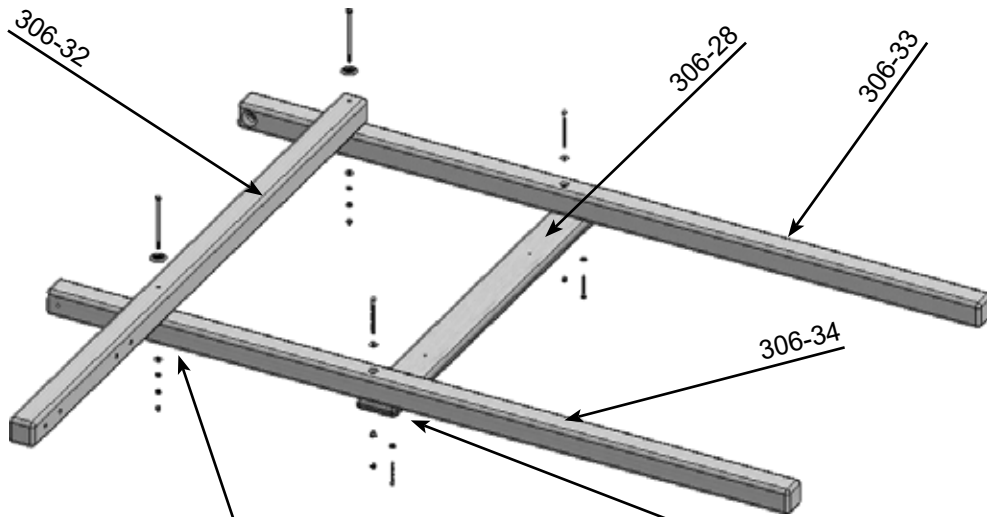
PARTS NEEDED

- 306-32- Trapeze Arm- (1)
- 306-28- Mainbeam- (1)
- 306-34- Right Corner Post- (1)
- 306-33- Left Corner Post- (1)
- 306-16- 4- Hole Facia- (2)

- A-7- 3/8" x 7" Hex Bolt- (2)
- J- 3/8" USS Flatwasher- (4)
- A-1- 3/8" Acorn Nut Plated- (4)
- E- 1/4" x 3" Hex Lag Screw- (6)
- A-2- 3/8" Hex Nut- (2)

HARDWARE BAG NEEDED

- A-15- 3/8" Bolt Cup- (2)
- A-14- 3/8" Split Lockwasher- (2)
- I- 1/4" USS Flatwasher- (6)
- A-5- 3/8" x 4 1/2" Hex Bolt- (2)
- A-13- 4 Prong T-Nut- (2)



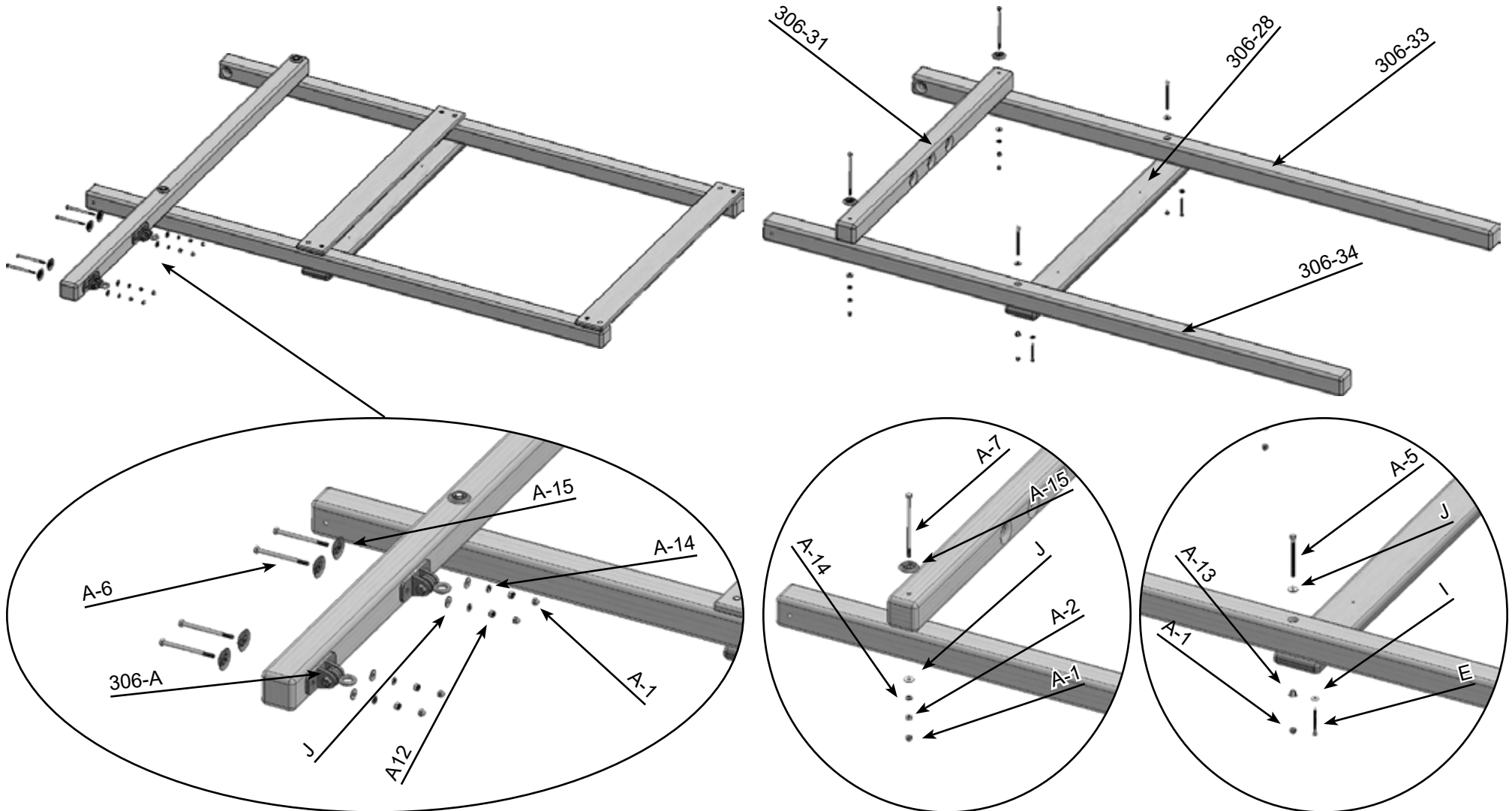
Parrot Island Fort Installation

PARTS NEEDED

306-A- Ductile Iron Swing Hangers-	(2)
306-31- Swingbeam Top Joist-	(1)
306-33- Left Corner Post-	(1)
306-34- Right Corner Post-	(1)
306-28- Mainbeam-	(1)

HARDWARE BAG NEEDED

A-6- 3/8" x 5" Hex Bolt-	(4)	A-15- 3/8" Bolt Cup-	(6)
J- 3/8" USS Flatwasher-	(8)	A-14- 3/8" Splti Lockwasher-	(6)
A-12- 3/8" Nylon Insert Locknut-	(4)	A-1- 3/8" Acorn Nut Plated-	(8)
A-2- 3/8" Hex Nut-	(2)	A-13- 3/8" 4- Prong T-Nut-	(2)
A-5- 3/8" x 4 1/2" Hex Bolt-	(2)	I- 1/4" USS Flatwasher-	(2)
E- 1/4" x 3" Hex Lag Screw-	(2)		



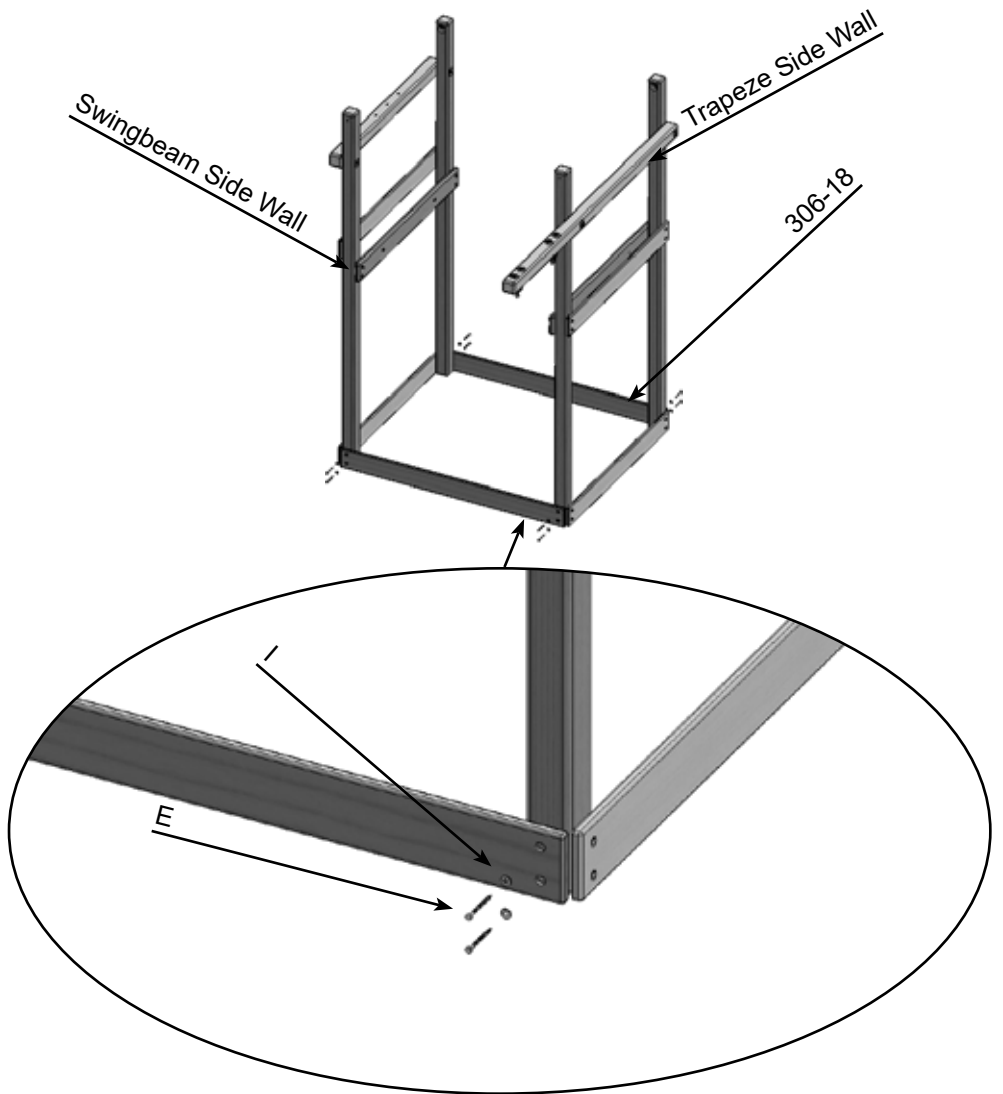
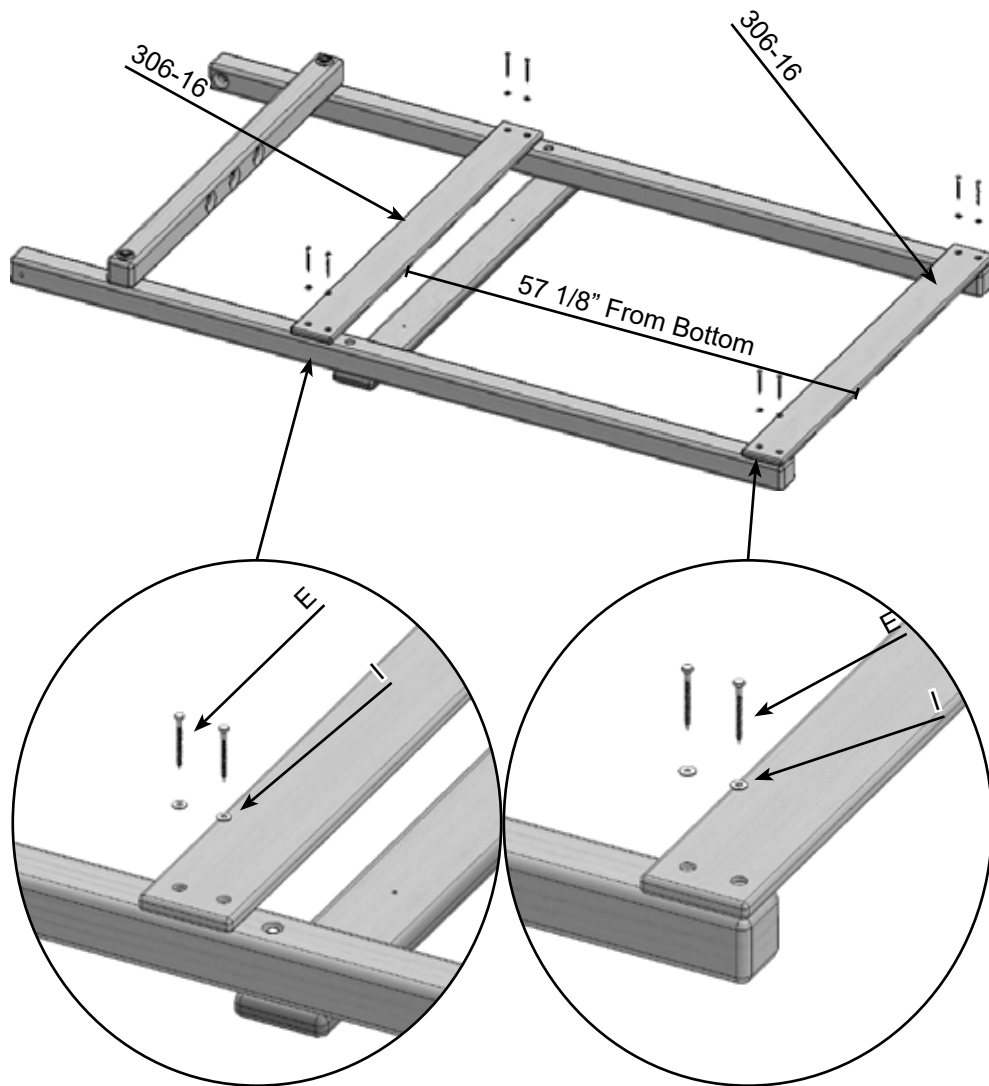
Parrot Island Fort Installation

PARTS NEEDED

306-16- 4- Hole Facia- (2)
 306-18- 4- Hole Facia- (2)

HARDWARE BAG NEEDED

E- 1/4" x 3" Hex Lag Screw- (16)
 I- 1/4" USS Flatwasher- (16)



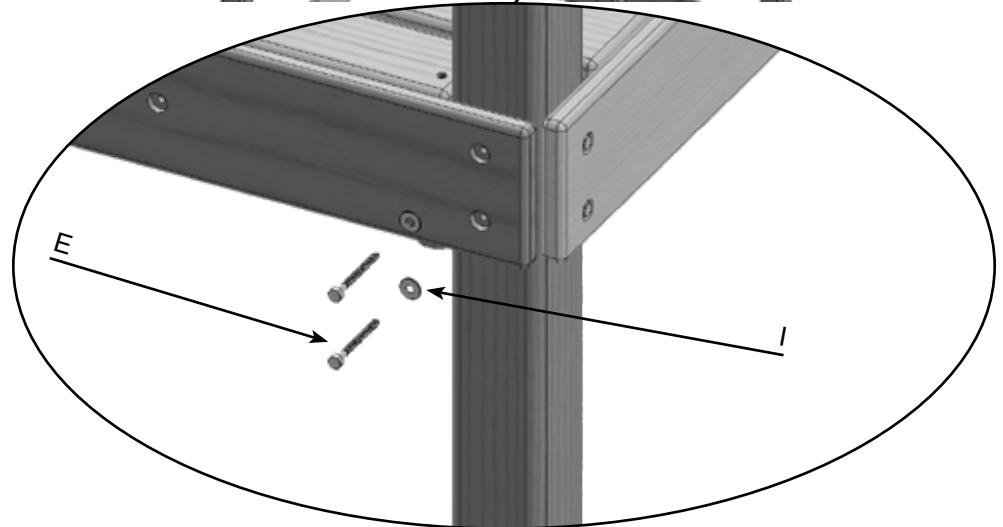
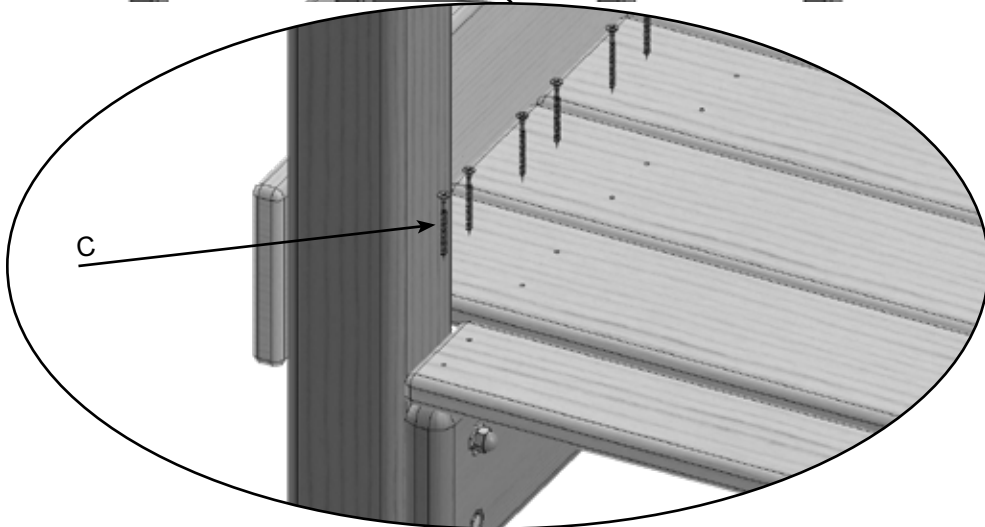
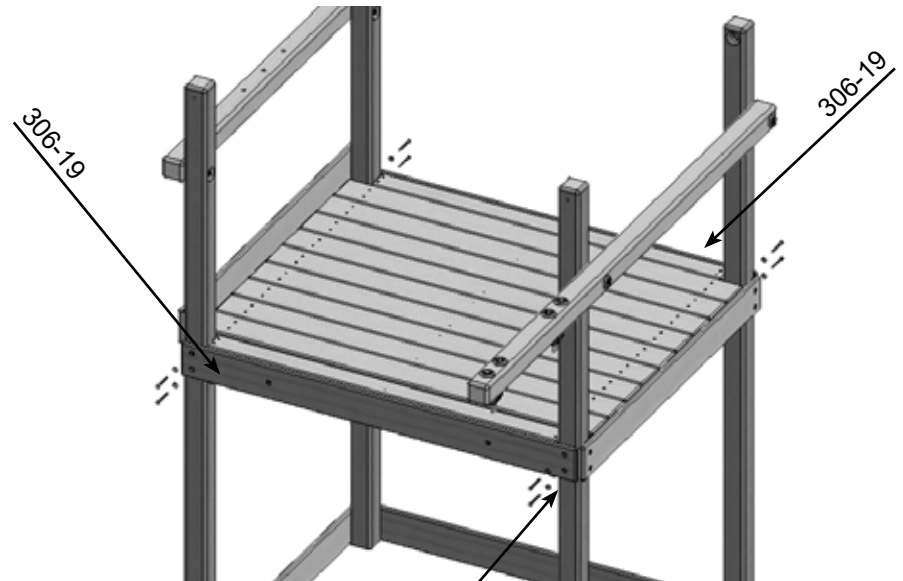
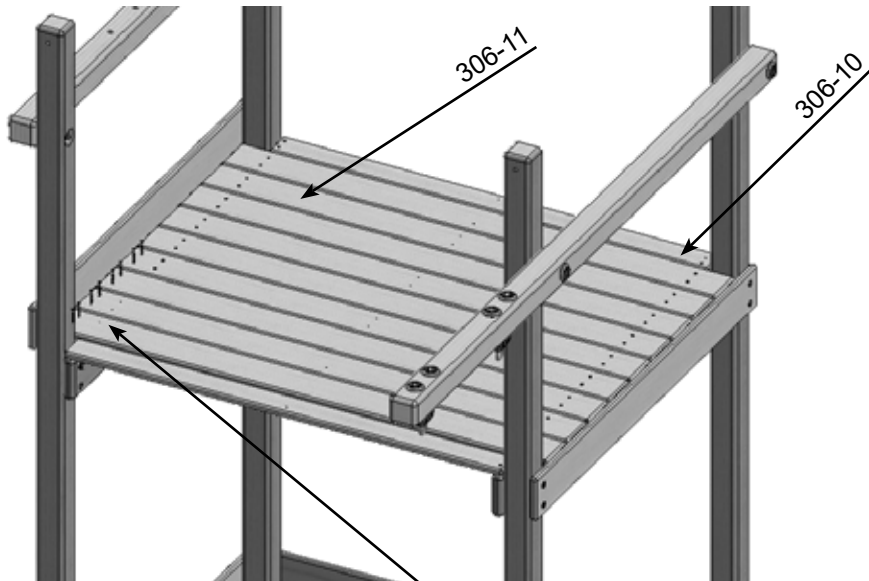
Parrot Island Fort Installation

PARTS NEEDED

306-10- End Deck Board-	(2)
306-11- Deck & Picnic Board-	(9)
306-19- 6- Hole Deck Facia-	(2)

HARDWARE BAG NEEDED

C- 2" Coated Deck Screw-	(44)
I- 1/4" USS Flatwasher-	(8)
E- 1/4" x 3" Hex Lag Screw-	(8)



Parrot Island Fort Installation

PARTS NEEDED

306-21- Gussett-

(8)

HARDWARE NEEDED

A-8- 1/4" x 2" Hex Lag Screw-

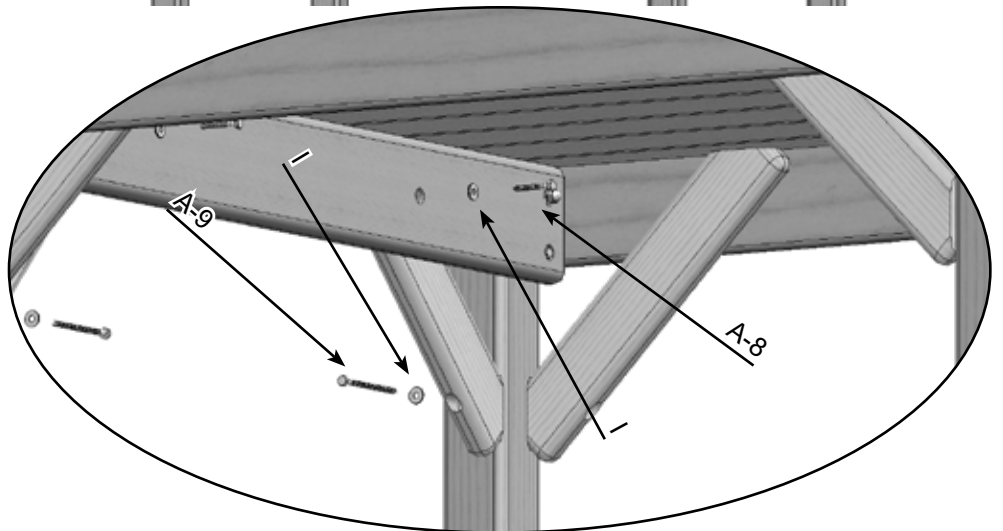
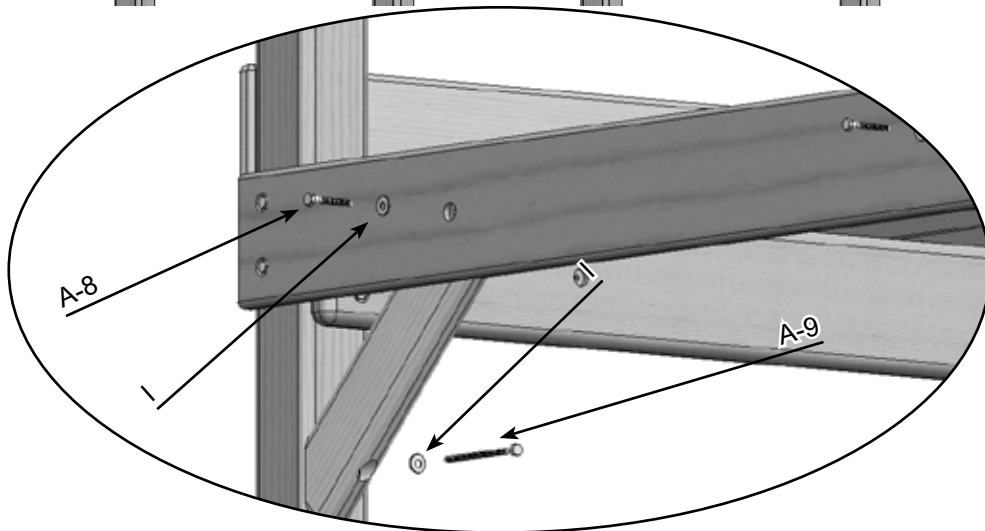
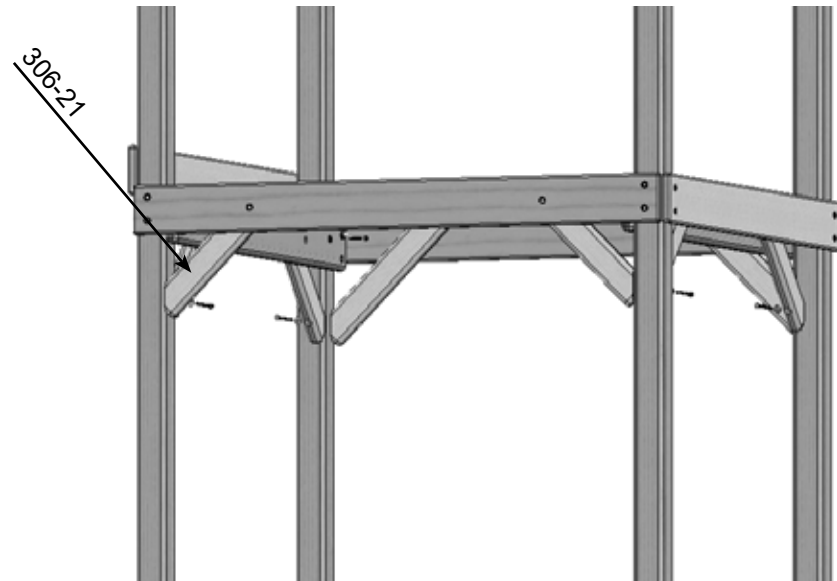
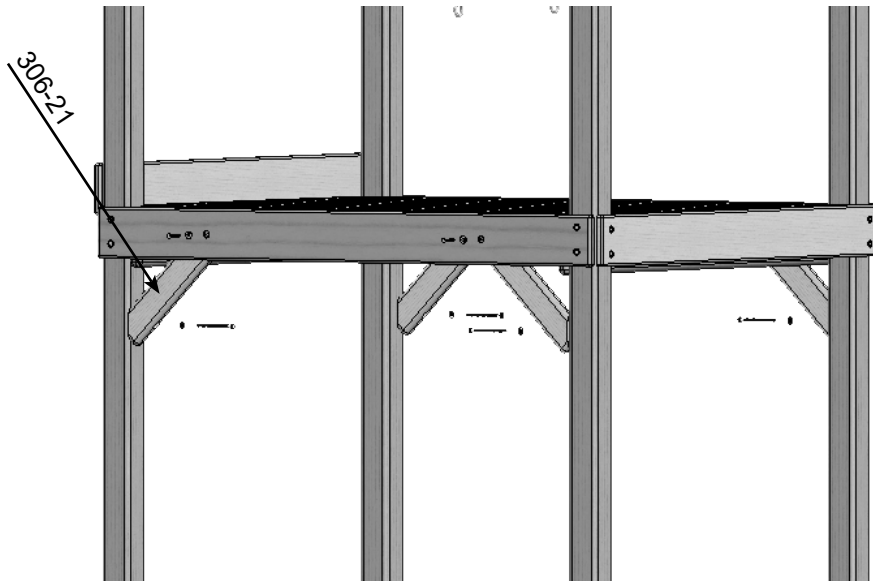
(8)

A-9- 1/4" x 4 1/2" Hex Lag Screw-

(8)

I- 1/4" USS Flatwasher-

(16)



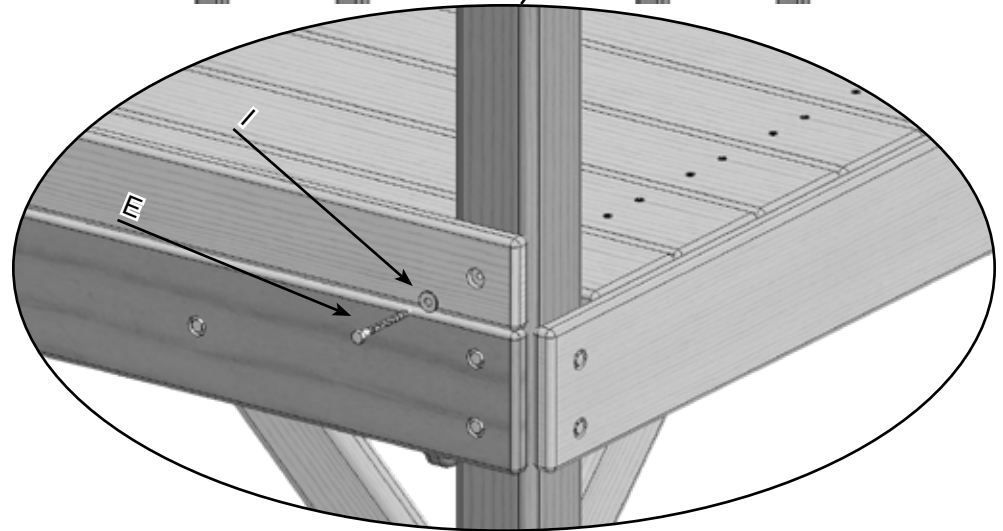
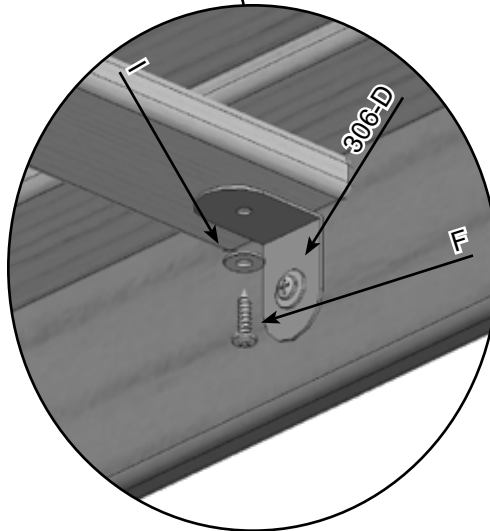
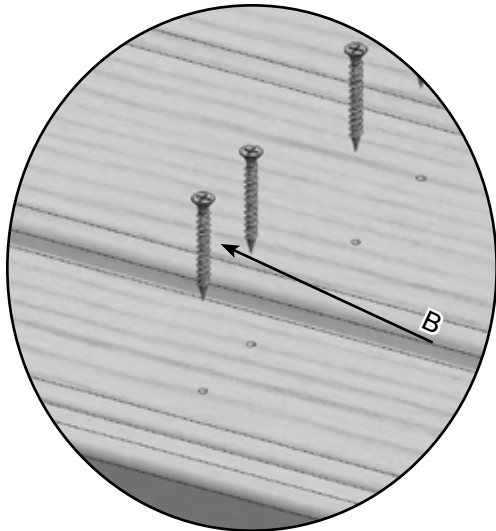
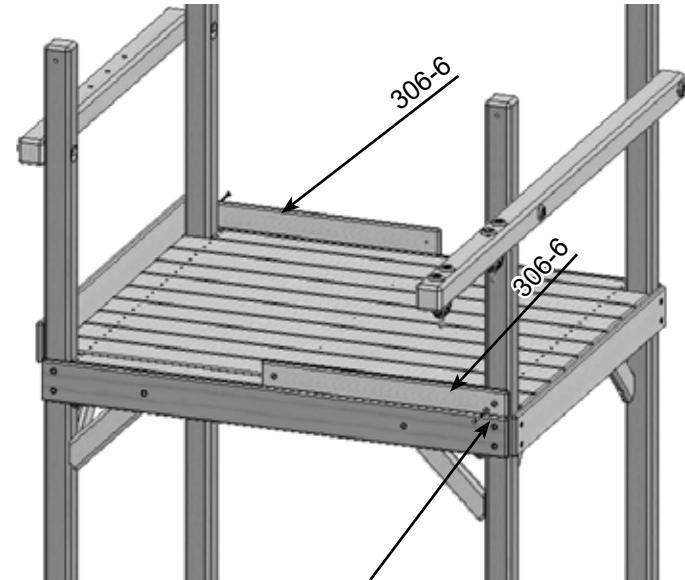
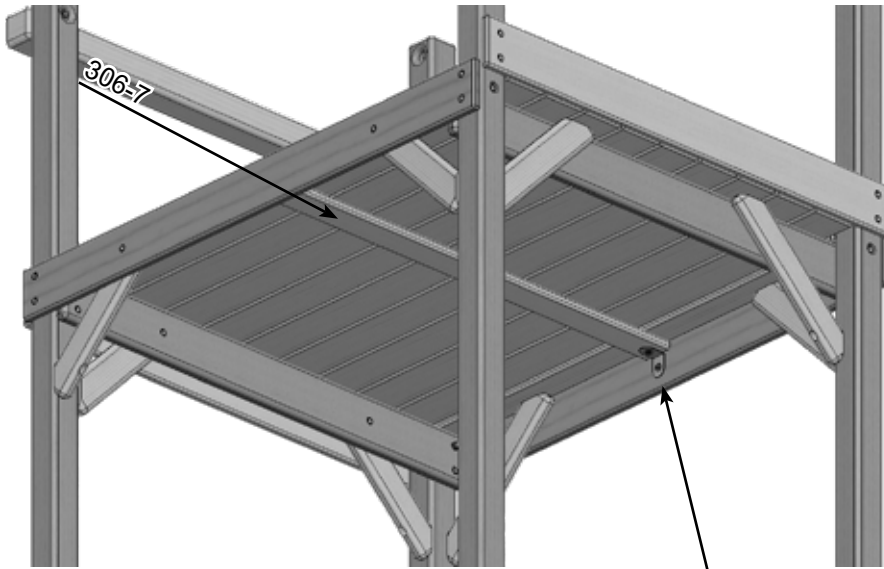
Parrot Island Fort Installation

PARTS NEEDED

- 306-7- Deck Support- (1)
- 306-6- Corner Facia- (2)
- 306-D- Small 90 Degree Bracket- (2)

HARDWARE NEEDED

- I- 1/4" USS Flatwasher- (6)
- F- #14 x 1" Pan Phillips T/S- (4)
- B- 1 1/2" Coated Deck Screw- (11)
- E- 1/4" x 3" Hex Lag Screw- (2)



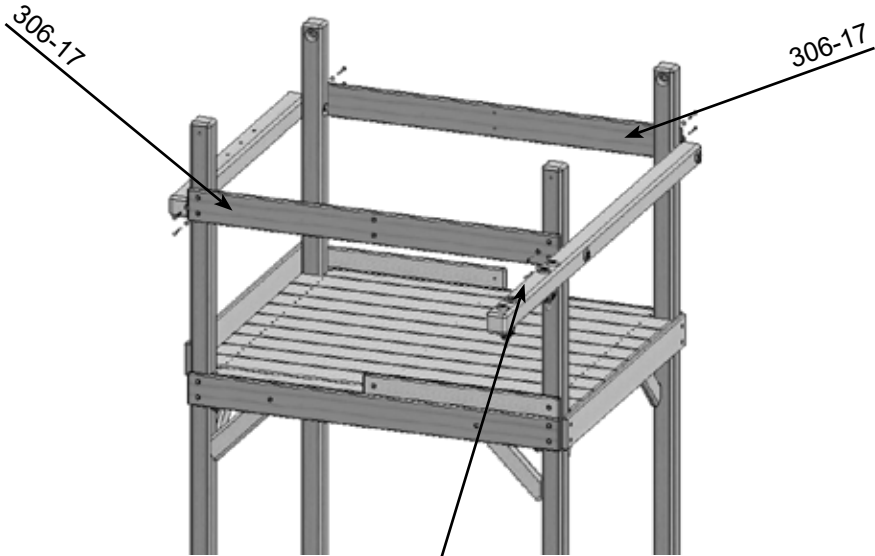
Parrot Island Fort Installation

PARTS NEEDED

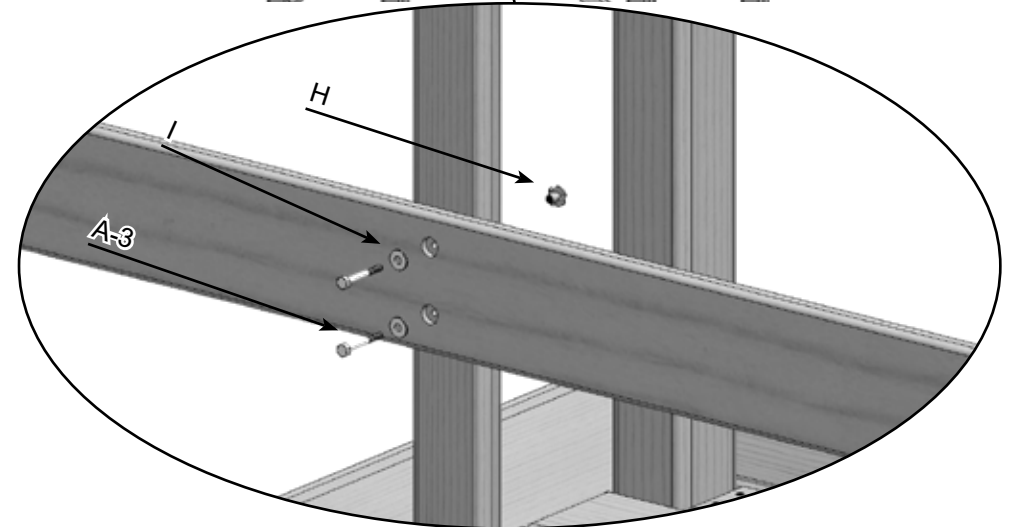
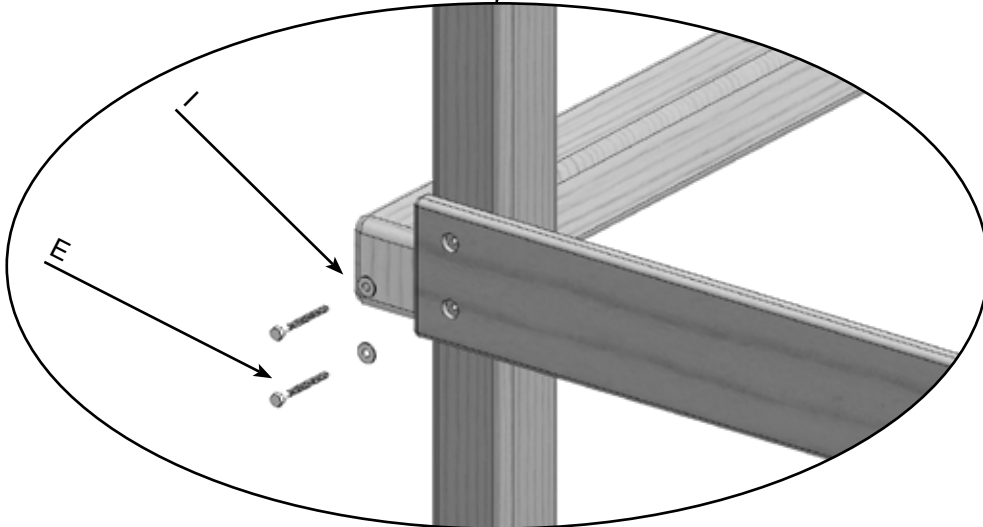
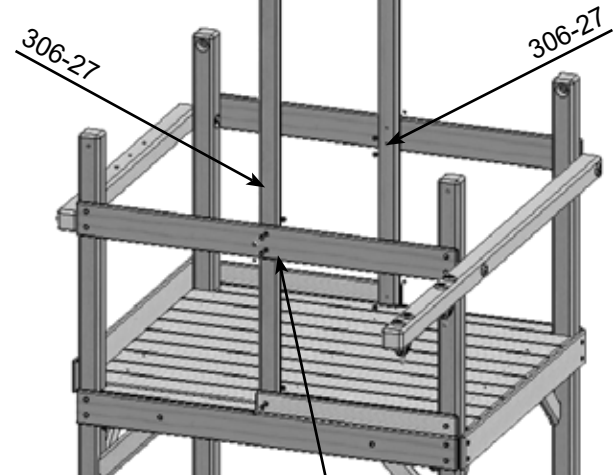
- 306-17- 6- Hole Facia- (2)
- 306-27- Tarp Center Post- (2)

HARDWARE NEEDED

- I- 1/4" USS Flatwasher- (14)
- H- 1/4" 4- Prong T-Nut- (6)
- A-3- 1/4" x 2" Hex Bolt- (6)
- E- 1/4" x 3" Hex Lag Screw- (8)



FOR TARP ROOF ASSEMBLY



Parrot Island Fort Installation

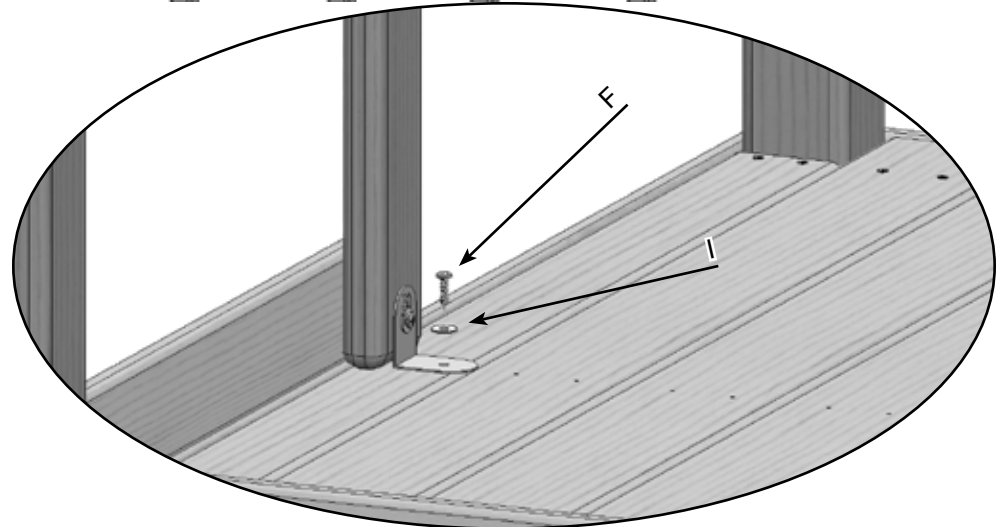
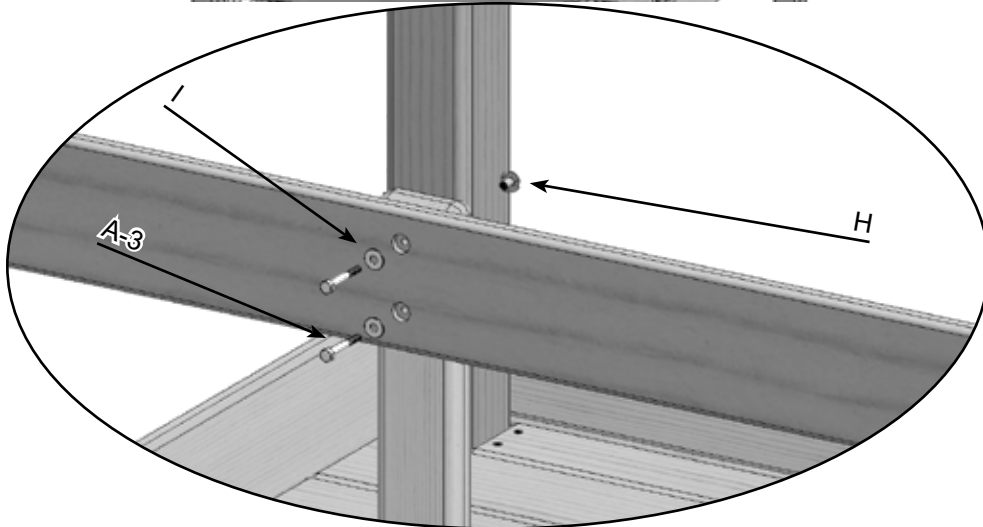
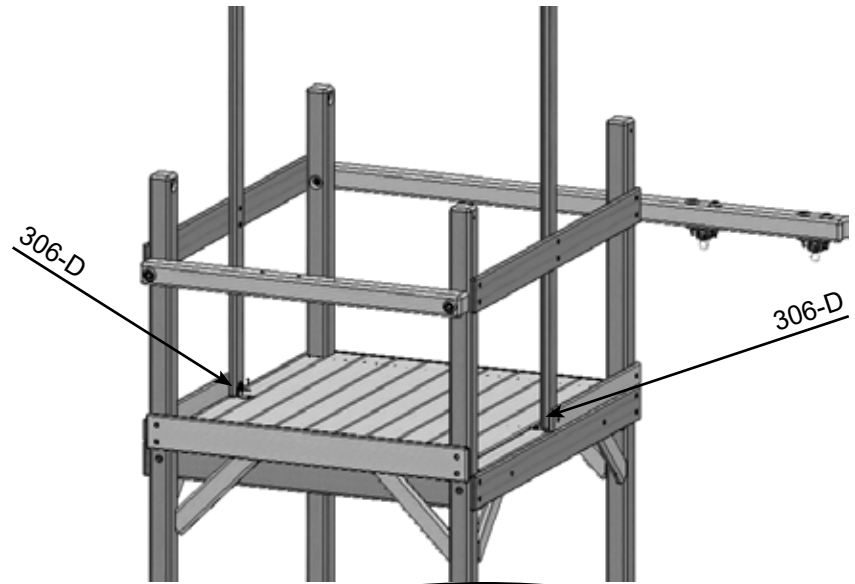
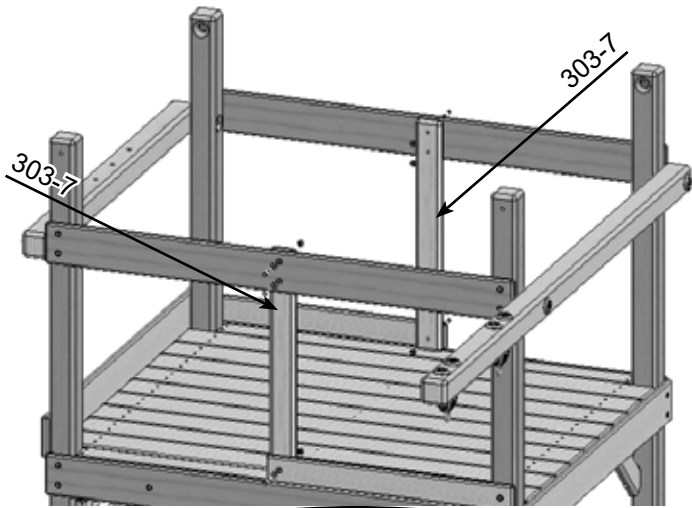
PARTS NEEDED

- 303-7- Wood Roof Center Post- (2)
- 306-D- Small 90 Degree Bracket- (2)

HARDWARE NEEDED

- H- 1/4" 4- Prong T-Nut- (6)
- I- 1/4" USS Flatwasher- (10)
- A-3- 1/4" x 2" Hex Bolt- (6)
- F- #14 x 1" Pan Phillips T/S- (4)

FOR WOOD ROOF ASSEMBLY- SEE WOOD ROOF



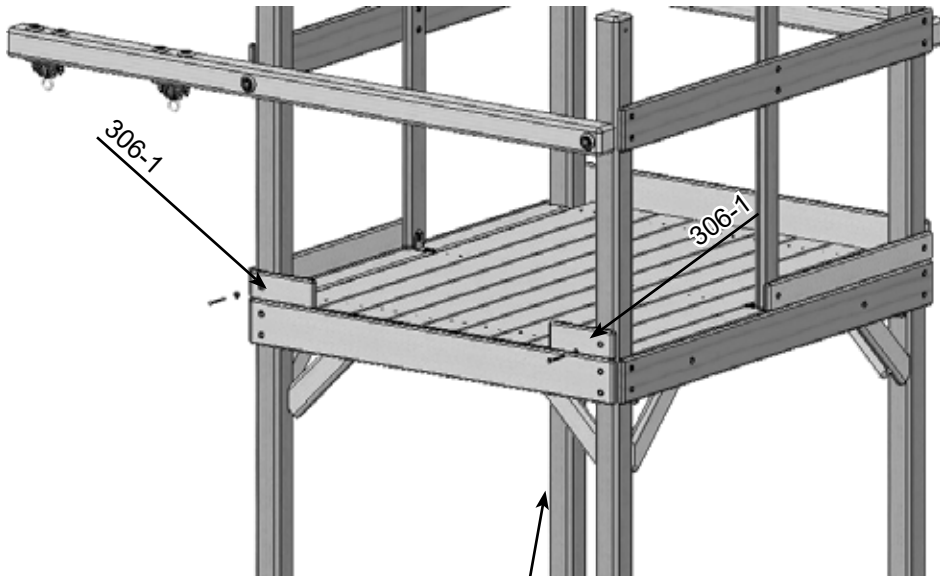
Parrot Island Fort Installation

PARTS NEEDED

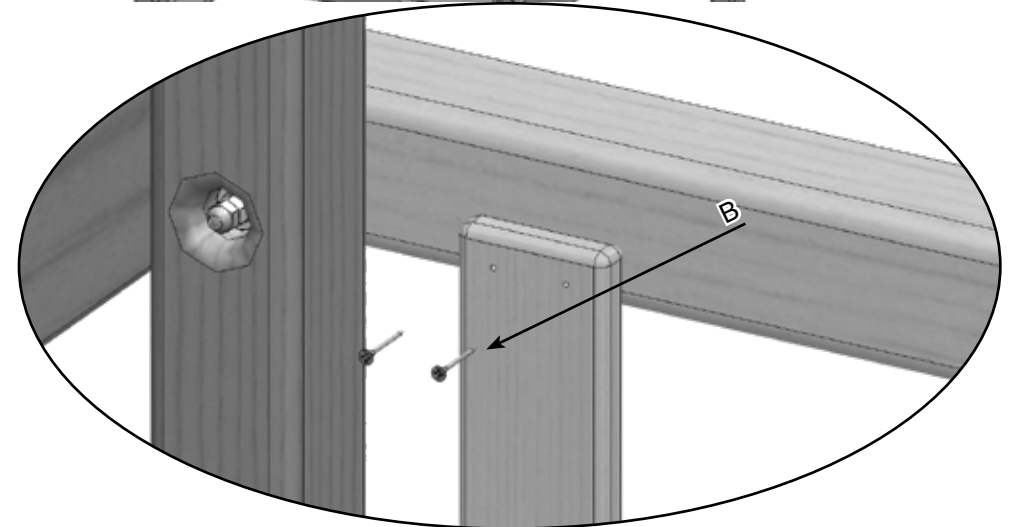
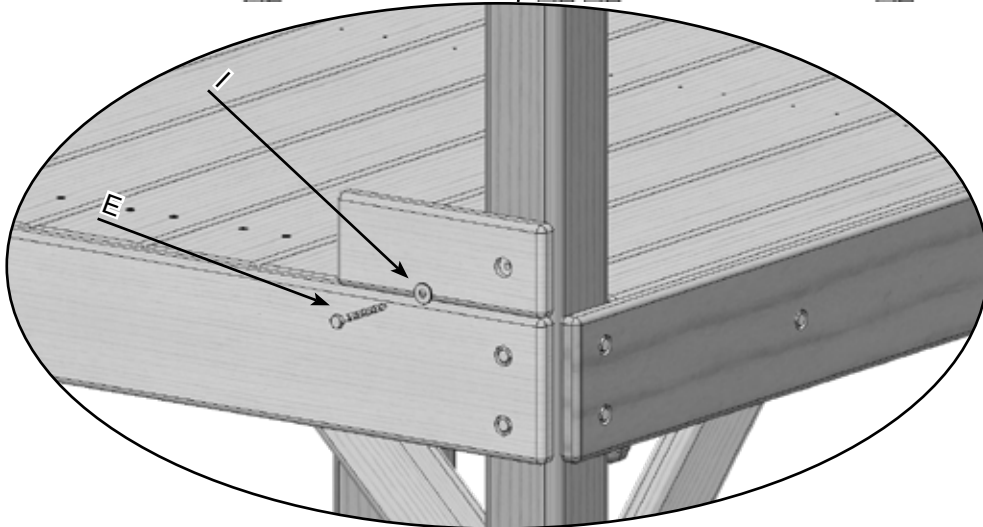
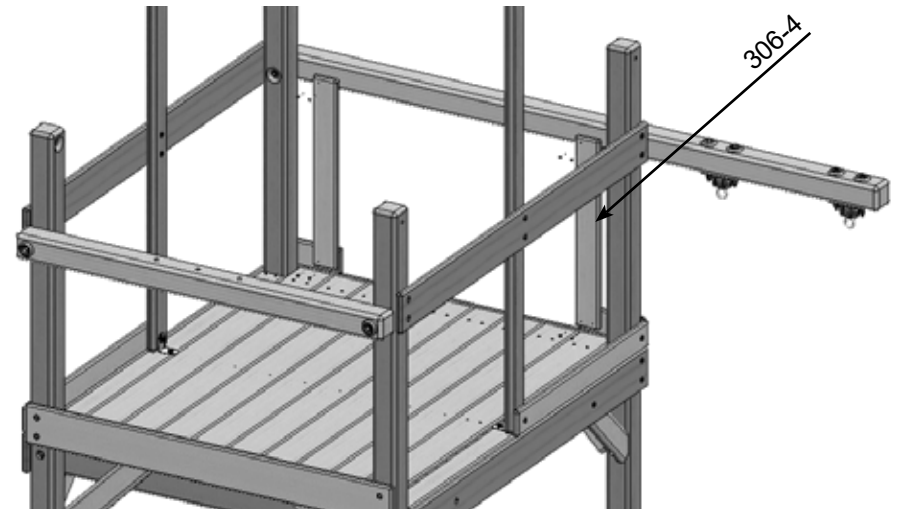
306-1- Small Corner Facia- (2)
306-4- Spindle- (2)

HARDWARE NEEDED

I- 1/4" USS Flatwasher- (2)
E- 1/4" x 3" Hex Lag Screw- (2)
B- 1 1/2" Coated Deck Screw- (8)



ALL 306-4'S SIT 7/8" OFF THE DECK



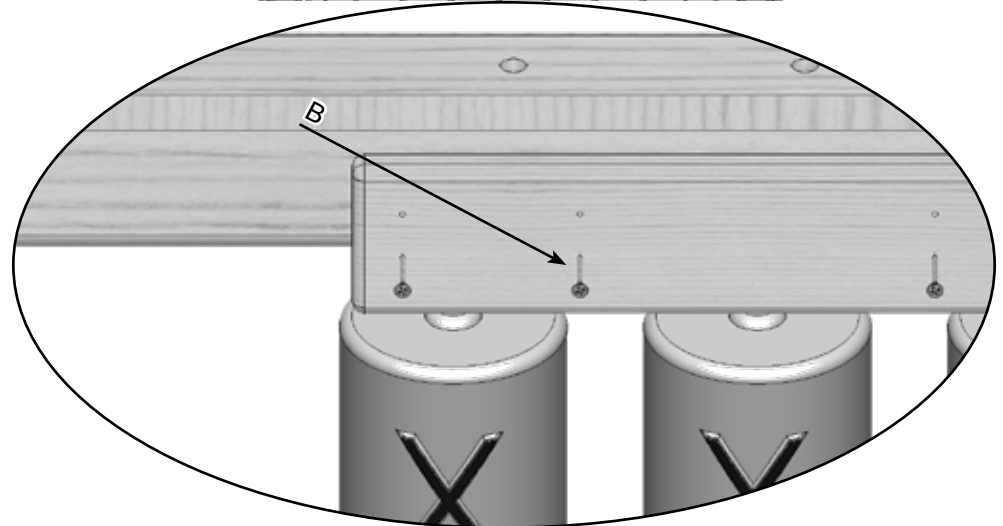
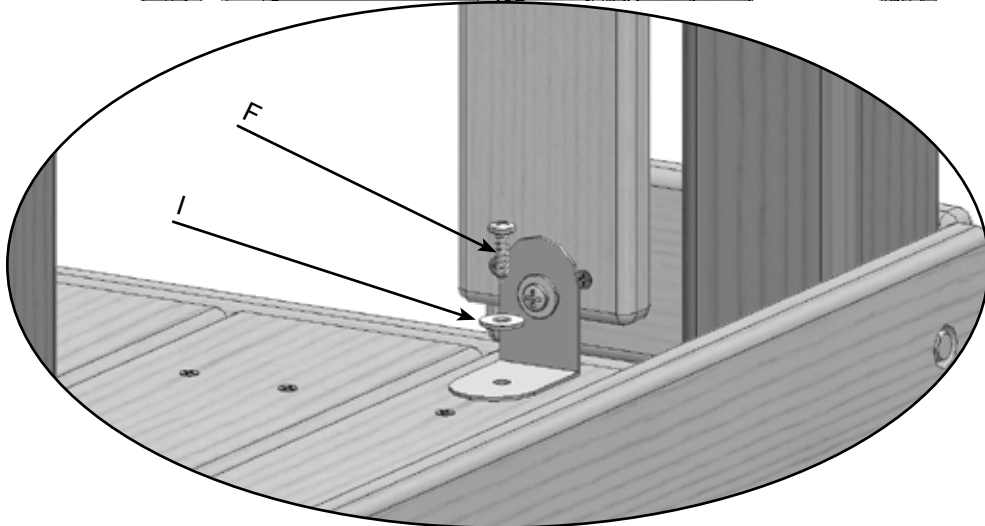
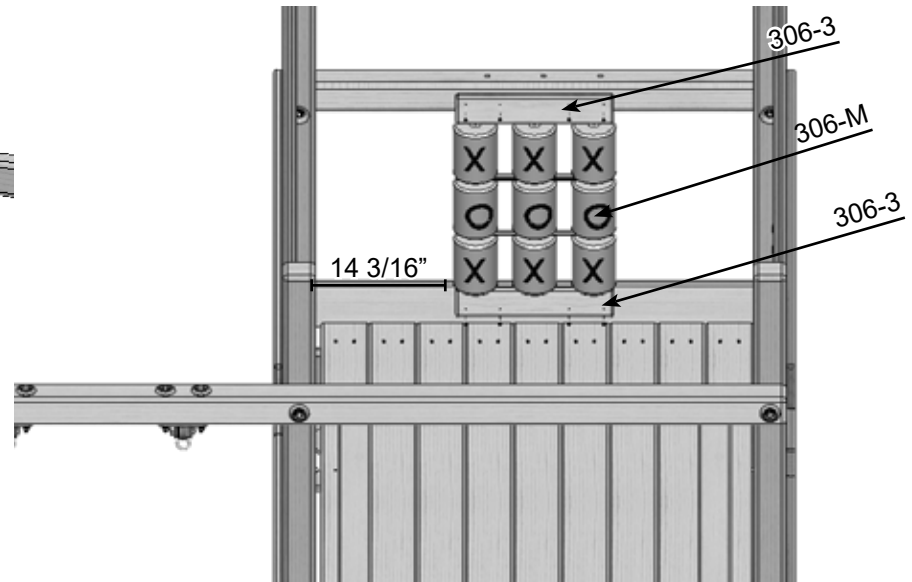
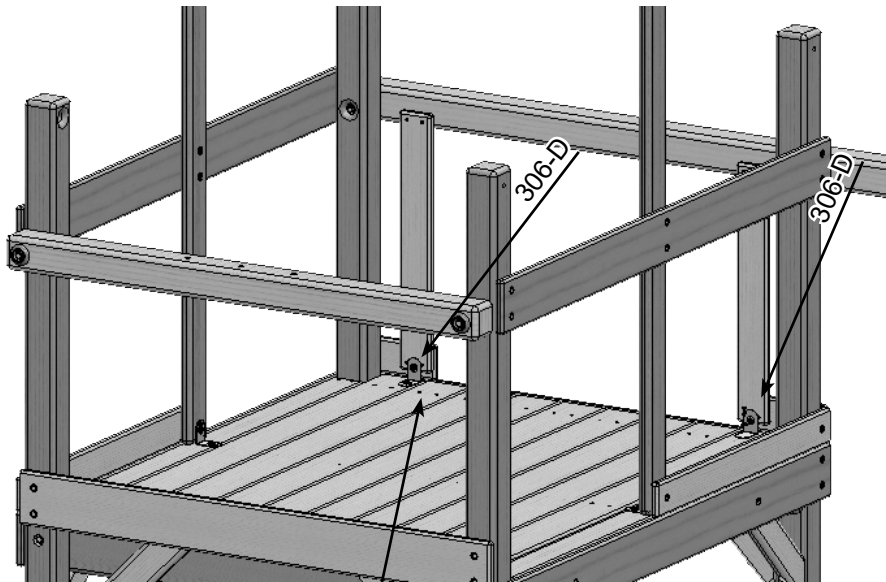
Parrot Island Fort Installation

PARTS NEEDED

- 306-D- Small 90 Degree Bracket- (2)
- 306-3- Tic Tac Toe Board- (2)
- 306-M- Tic Tac Toe- (1)

HARDWARE NEEDED

- F- #14 x 1" Pan Phillips T/S- (4)
- I- 1/4" USS Flatwasher- (4)
- B- 1 1/2" Coated Deck Screw- (8)



Parrot Island Fort Installation

PARTS NEEDED

306-4- Spindle-

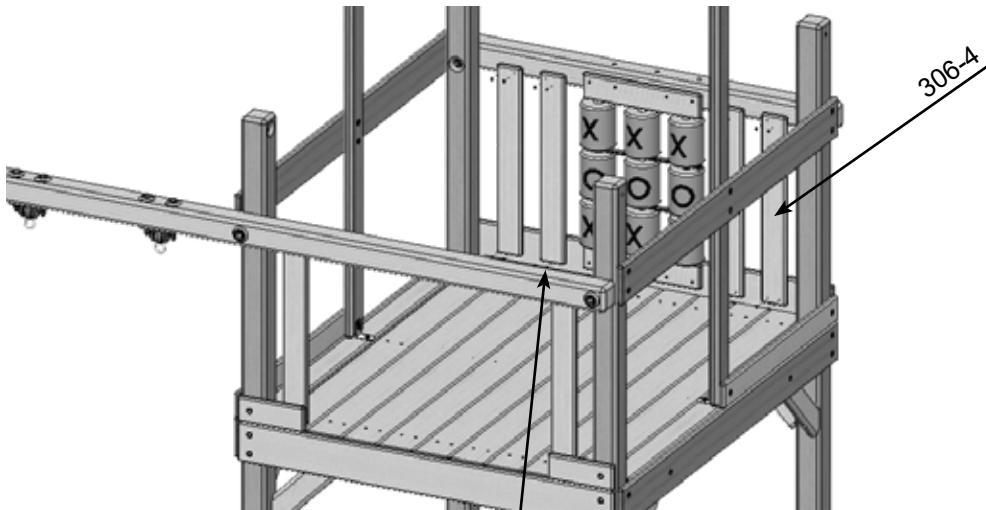
(12)

HARDWARE NEEDED

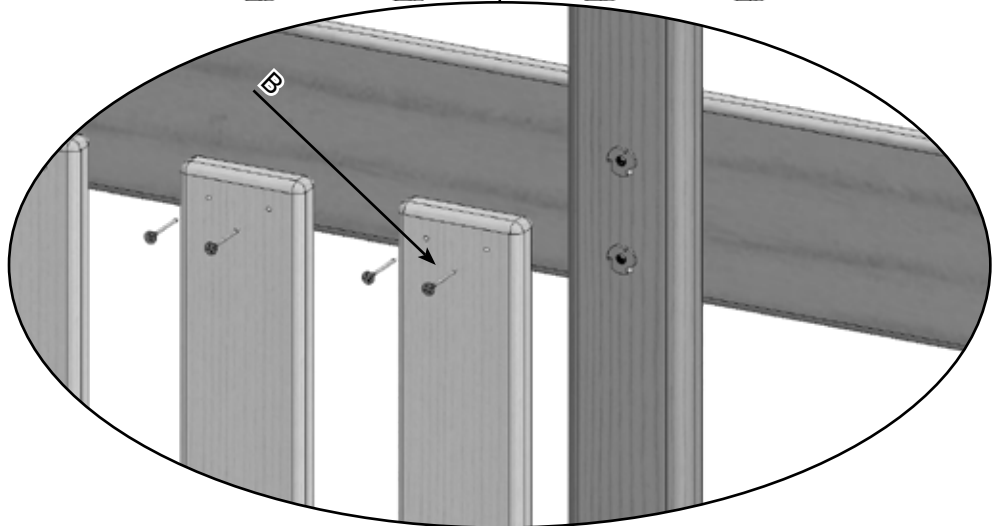
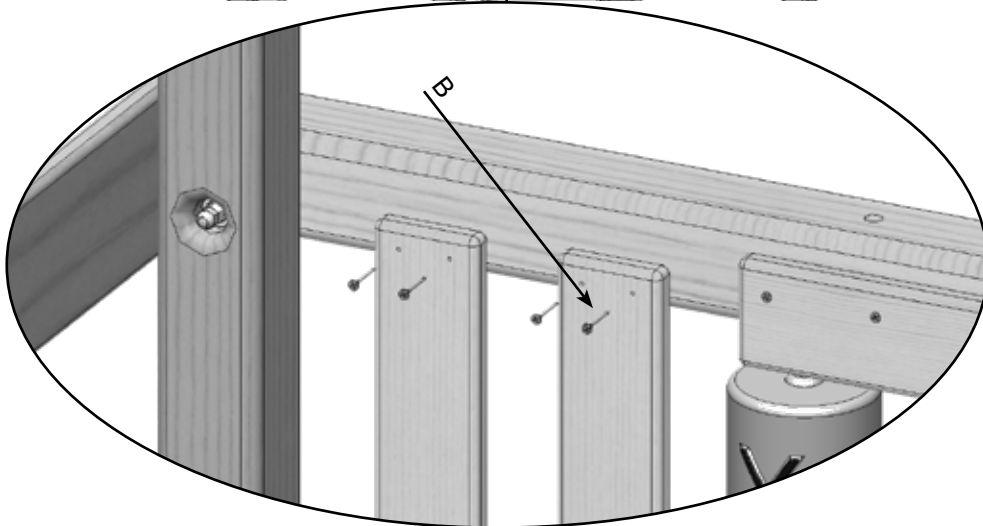
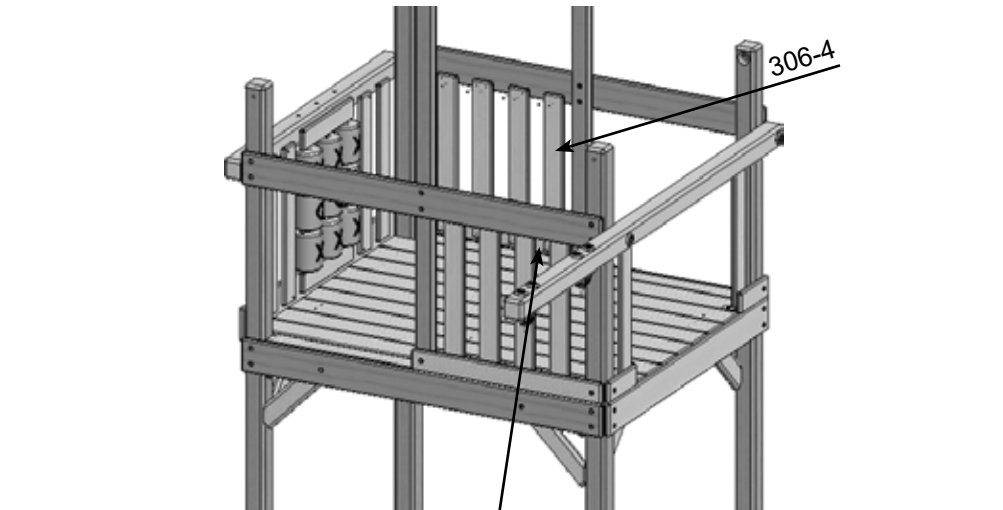
B- 1 1/2" Coated Deck Screw-

(48)

SPINDLES ARE 2 1/2" APART



SPINDLES ARE 2 1/2" APART



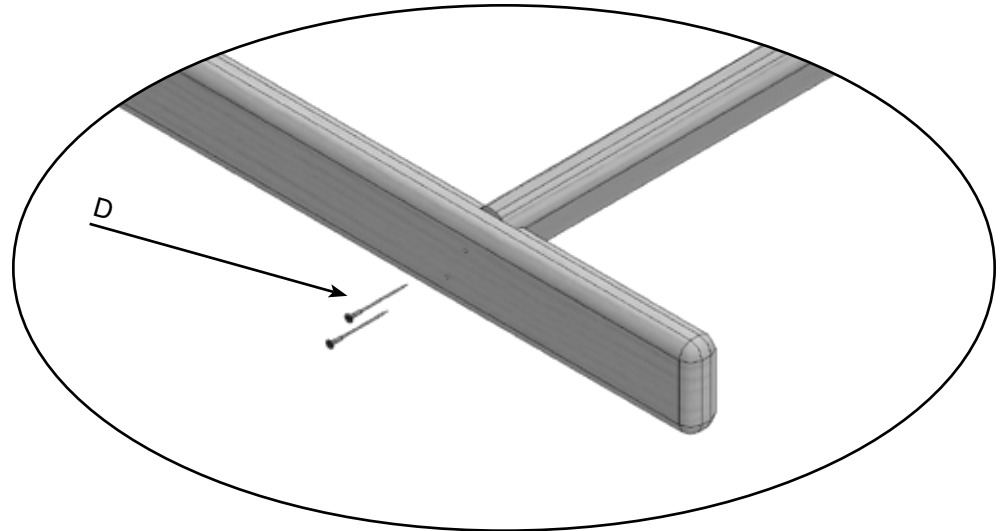
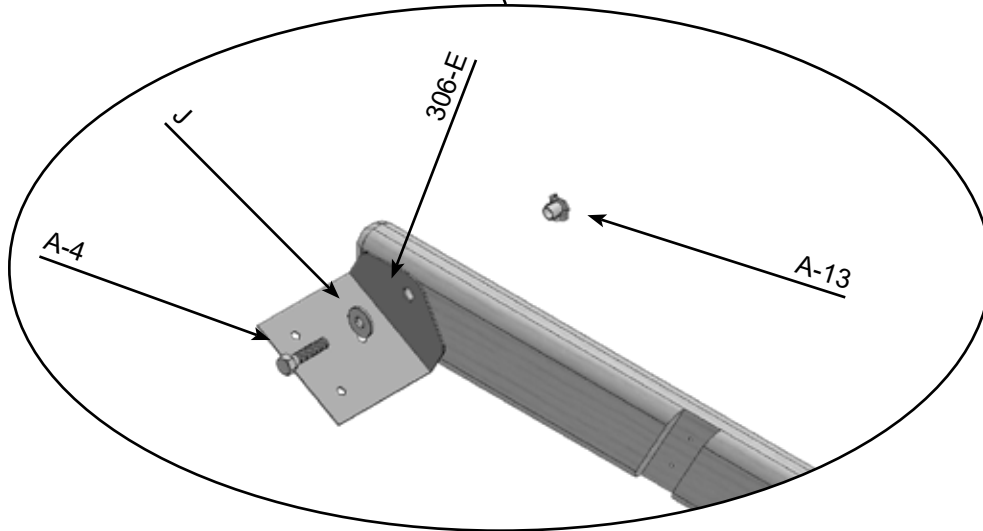
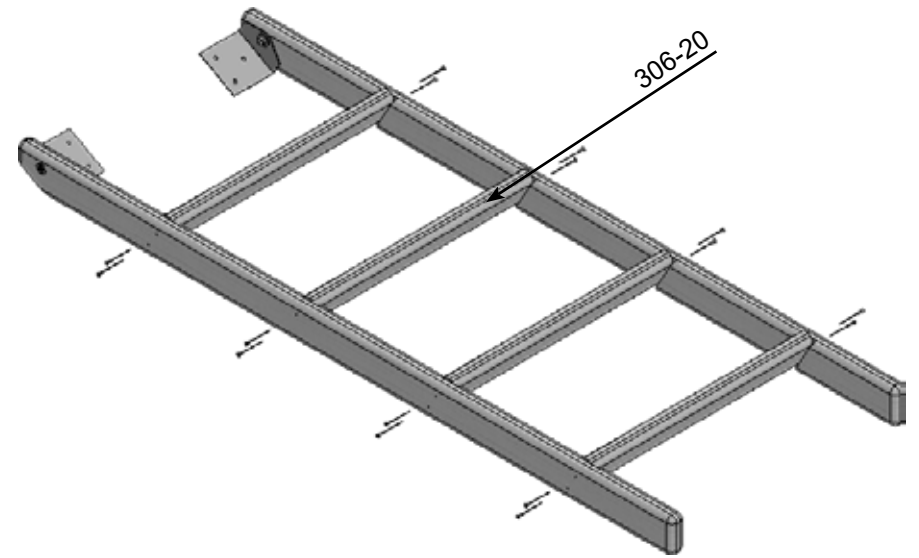
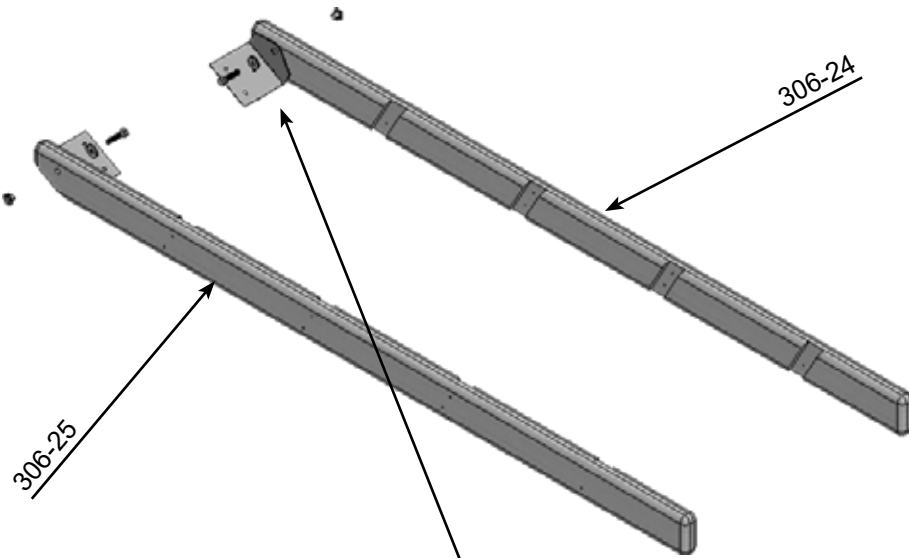
Parrot Island Fort Installation

PARTS NEEDED

- 306-E- 90 Degree Ladder/ Rockwall Bracket- (2)
- 306-24- Right Ladder Leg- (1)
- 306-25- Left Ladder Leg- (1)
- 306-20- Ladder Step- (4)

HARDWARE NEEDED

- A-13- 3/8" 4- Prong T-Nut- (2)
- J- 3/8" USS Flatwasher- (2)
- A-4- 3/8" x 1 1/2" Hex Bolt- (2)
- D- 2 1/2" Coated Deck Screw- (16)



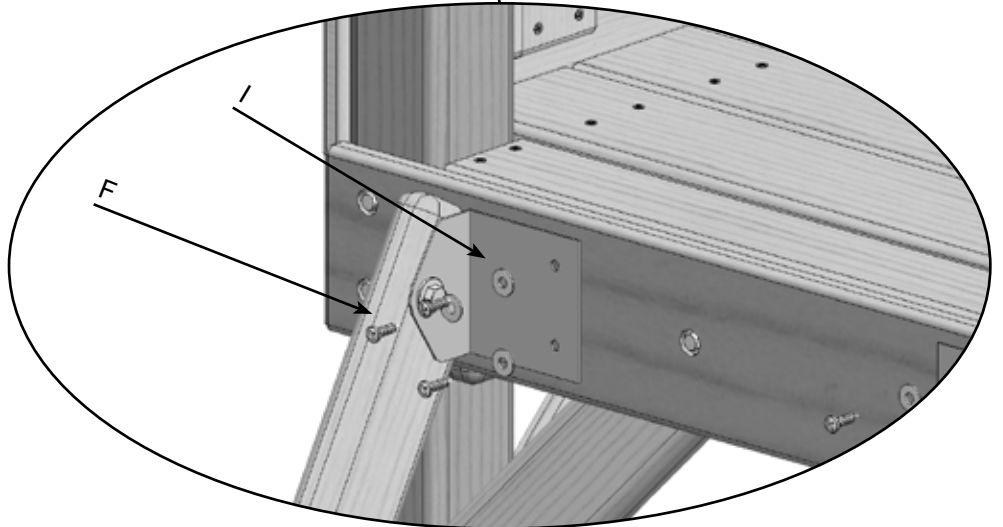
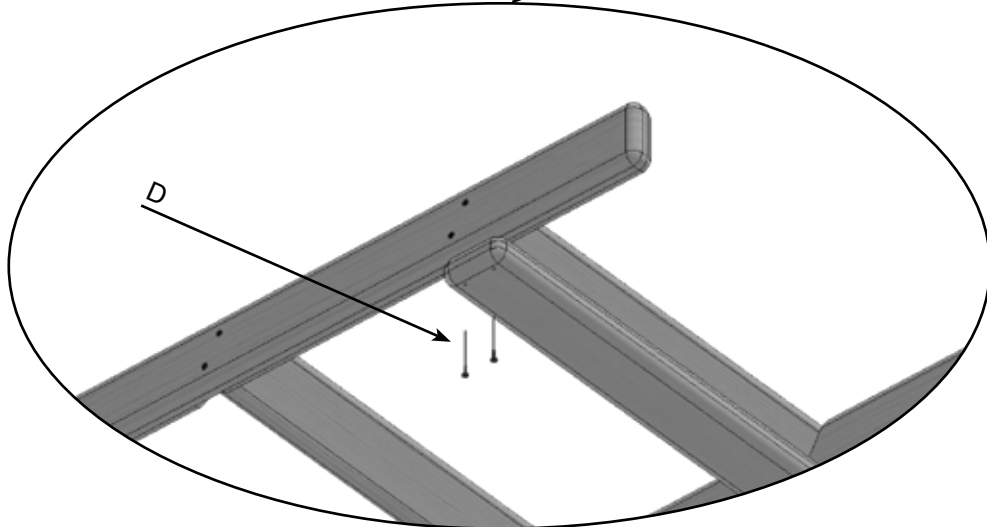
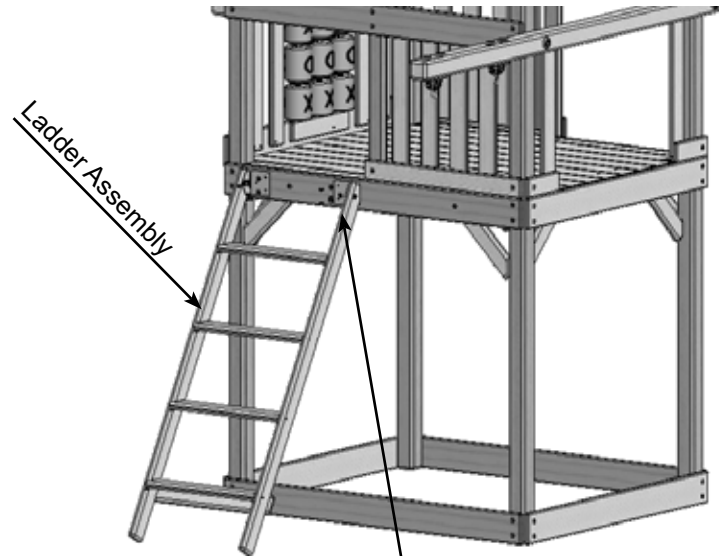
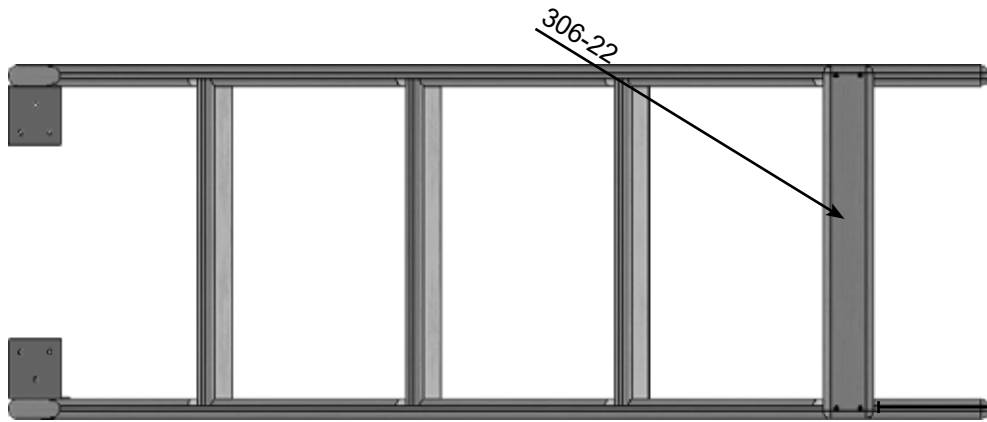
Parrot Island Fort Installation

PARTS NEEDED

306-22- Ladder Facia- (1)
Ladder Assembly- (1)

HARDWARE NEEDED

D- 2 1/2" Coated Deck Screw- (4)
I- 1/4" USS Flatwasher- (6)
F- #14 x 1" Pan Phillips T/S- (6)



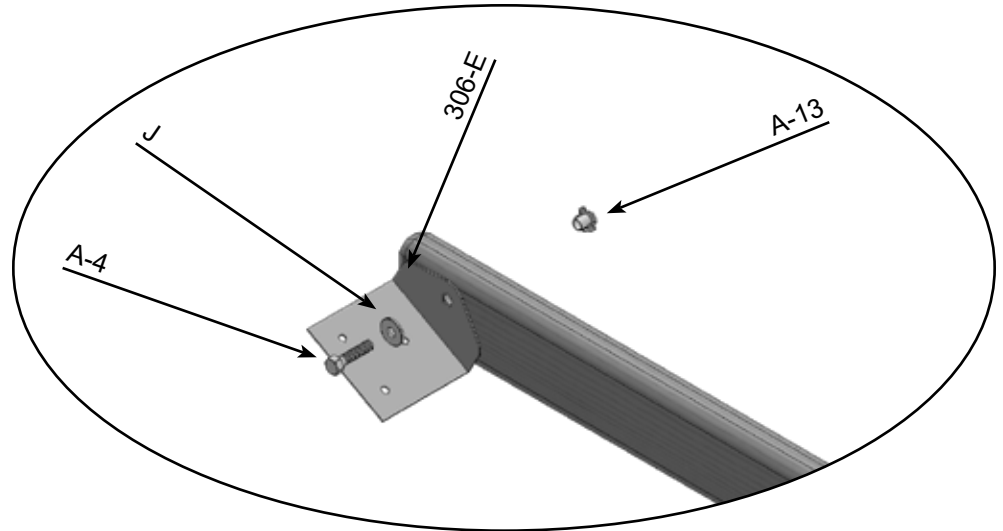
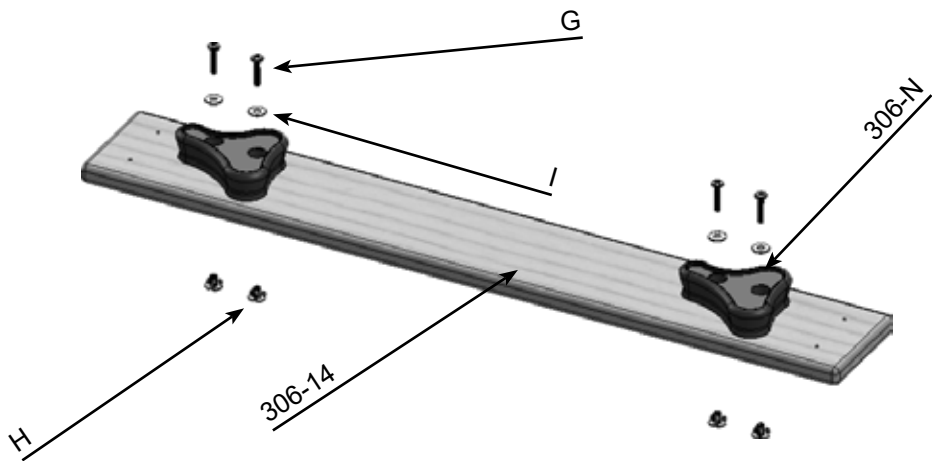
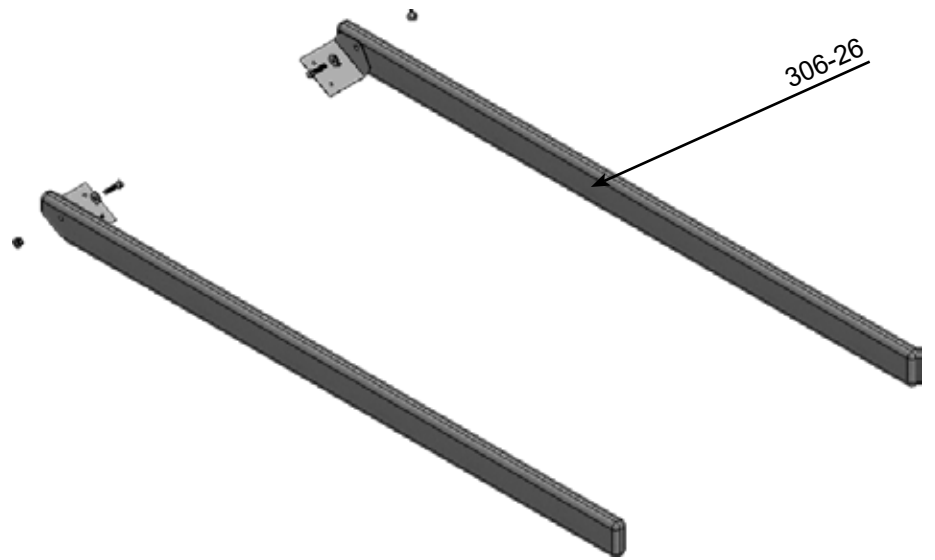
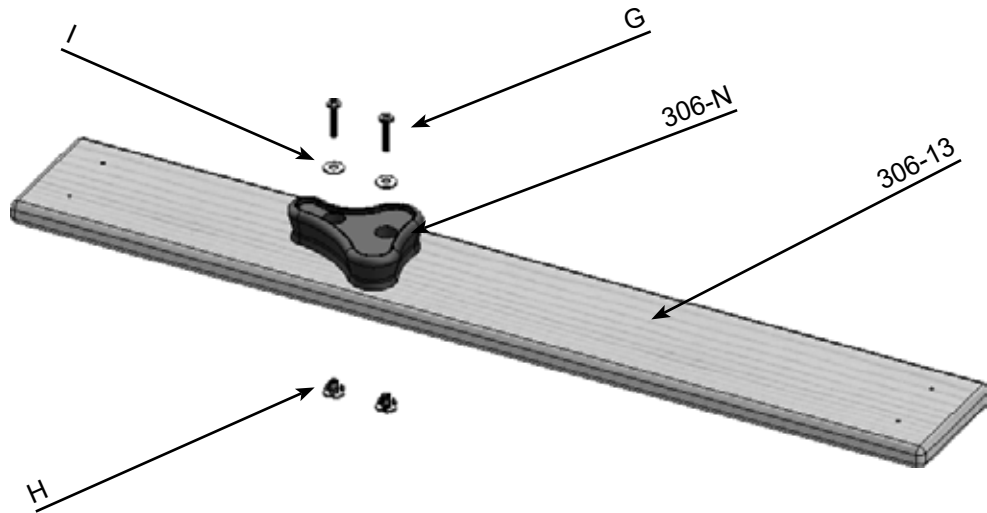
Parrot Island Fort Installation

PARTS NEEDED

- 306-13- 1- Rock Rockwall Board- (6)
- 306-14- 2- Rock Rockwall Board- (3)
- 306-26- Rockwall Ladder Leg- (2)
- 306-N- Rockwall Rocks- (12)
- 306-E- 90 Degree Ladder/ Rockwall Bracket- (2)

HARDWARE NEEDED

- I- 1/4" USS Flatwasher- (24)
- G- 1/4" x 1 1/4" Pan Phillips M/S- (24)
- H- 1/4" 4- Prong T-Nut- (24)
- A-4- 3/8" x 1 1/2" Hex Bolt- (2)
- J- 3/8" USS Flatwasher- (2)
- A-13- 3/8" 4- Prong T-Nut- (2)



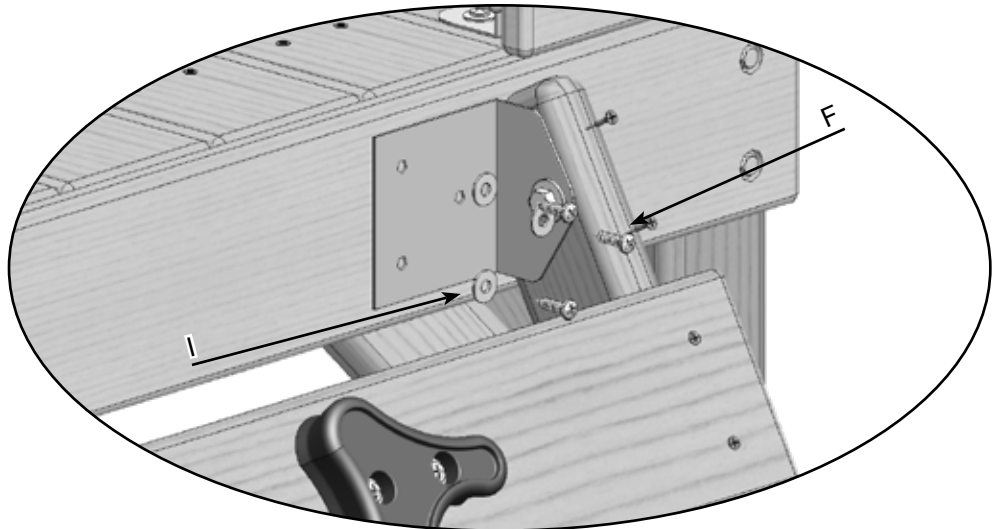
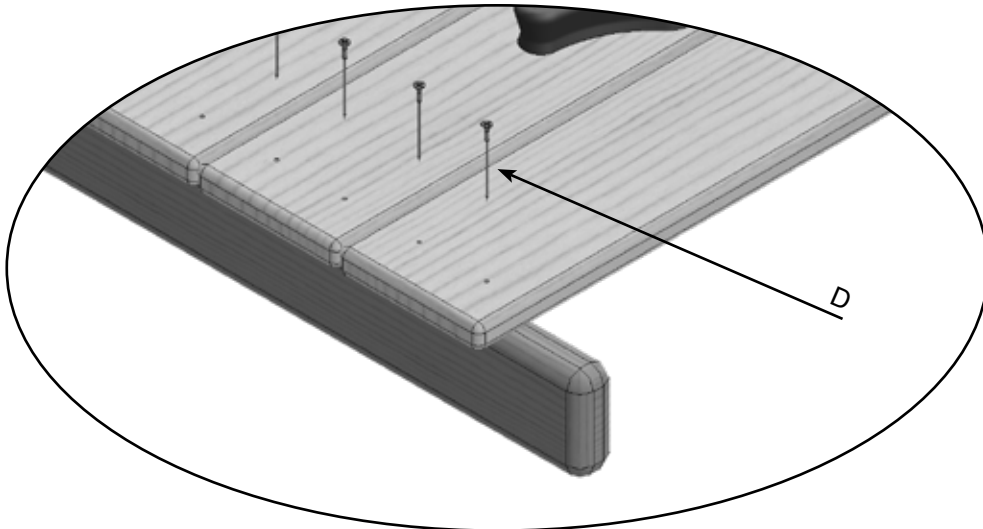
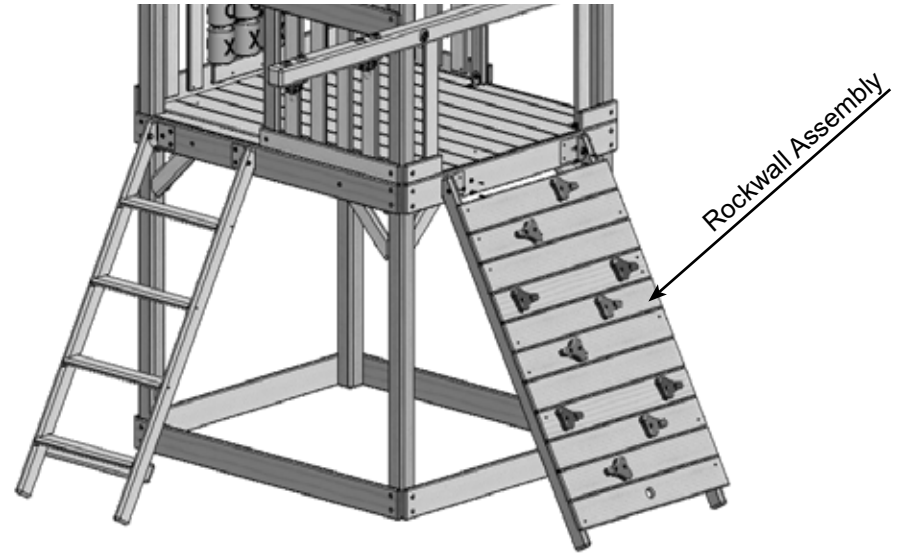
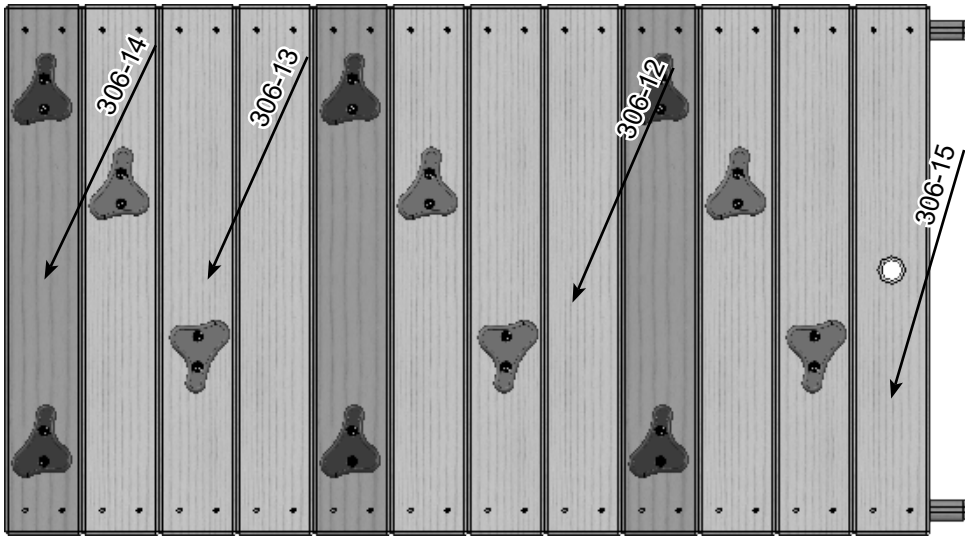
Parrot Island Fort Installation

PARTS NEEDED

306-14- 2- Rock Rockwall Board-	(3)
306-13- 1- Rock Rockwall Board-	(6)
306-12- Blank Rockwall Board-	(2)
306-15- Rockwall Board w/ Rope Hole-	(1)

HARDWARE NEEDED

D- 2 1/1" Coated Deck Screw-	(48)
F- #14 x 1" Panr Phillips T/S-	(6)
I- 1/4" USS Flatwasher-	(6)



Parrot Island Fort Installation - Picnic Table Option

PARTS NEEDED

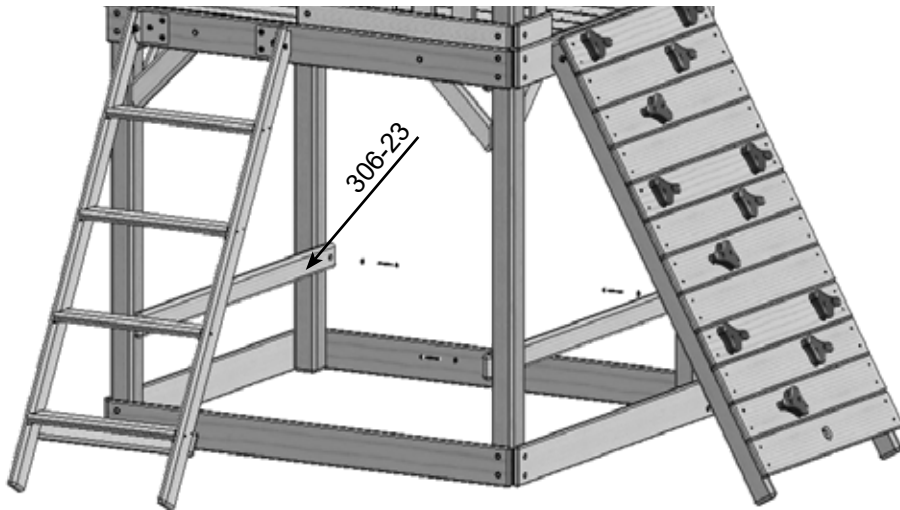
306-23- Picnic Mainbeam-	(2)
306-11- Deck & Picnic Board-	(4)
306-2- Picnic Seat Board-	(2)
306-10- End Deck Board-	(2)

HARDWARE NEEDED

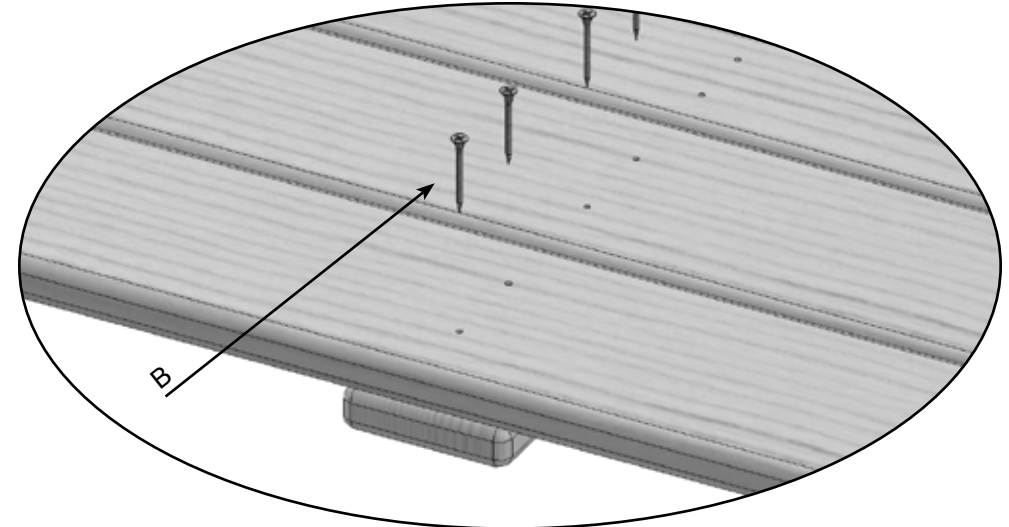
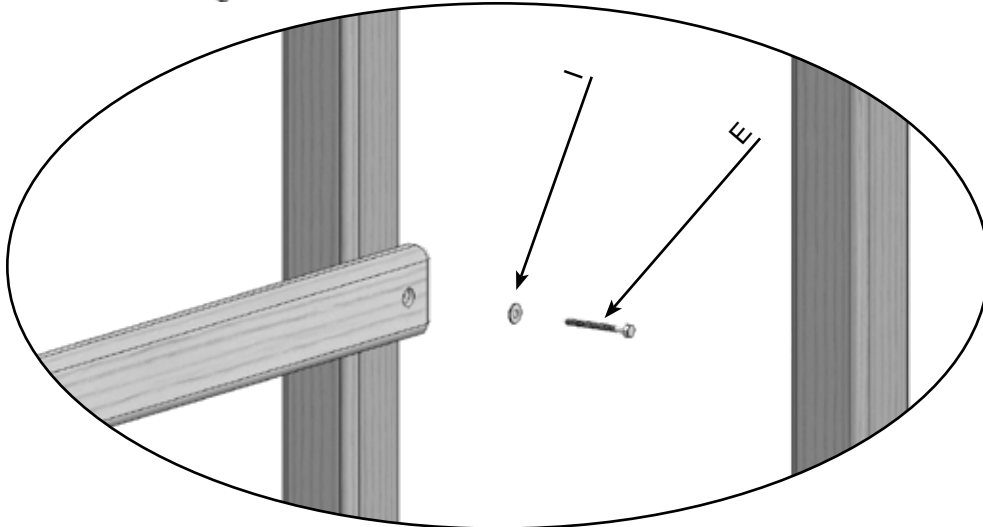
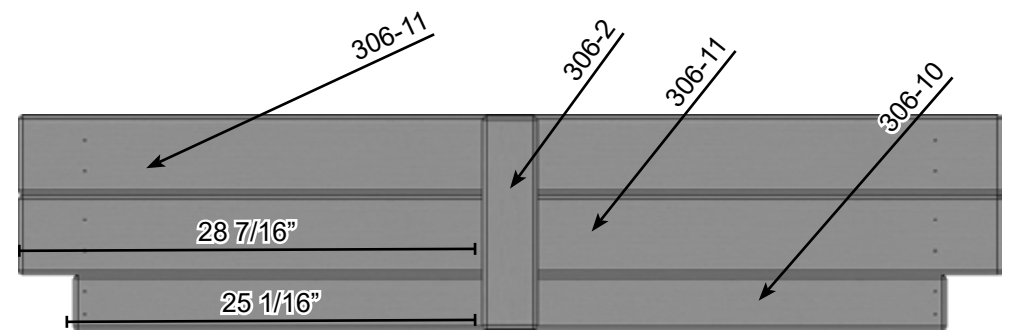
I- 1/4" USS Flatwasher-	(4)
E- 1/4" x 3" Hex Lag Screw-	(4)
B- 1 1/2" Coated Deck Screw-	(12)

(Skip for Lower Floor Install)

9 7/8" FROM THE GROUND TO THE BOTTOM OF THE 306-23



MAKE 2 OF THESE



Parrot Island Fort Installation - Picnic Table Option

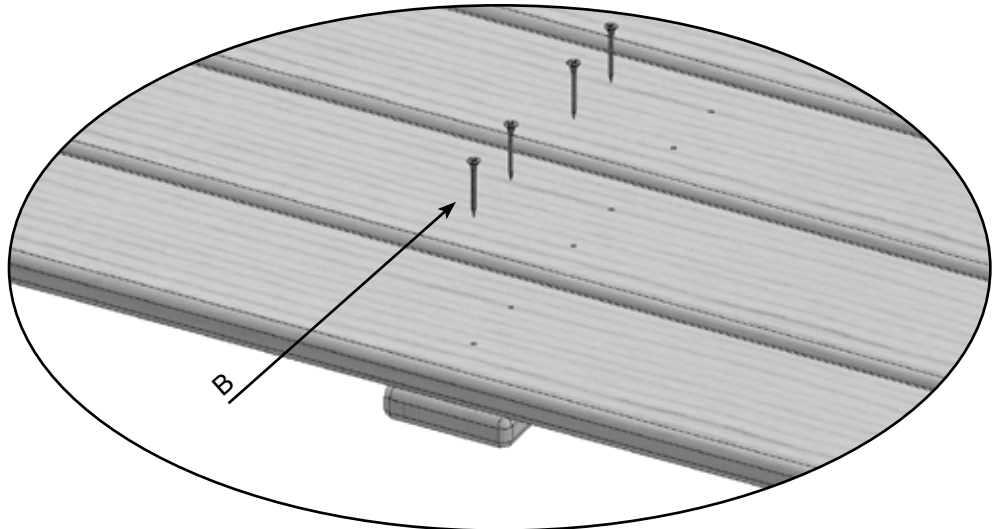
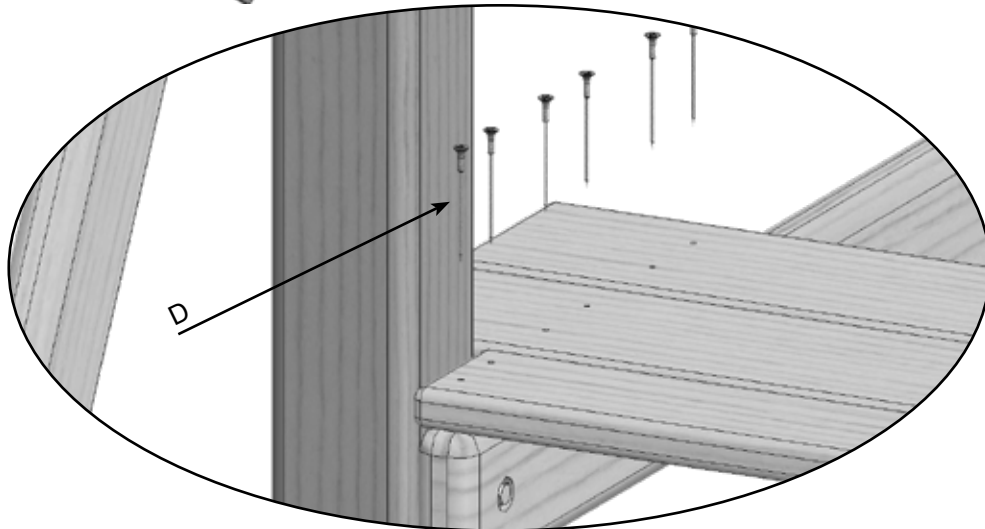
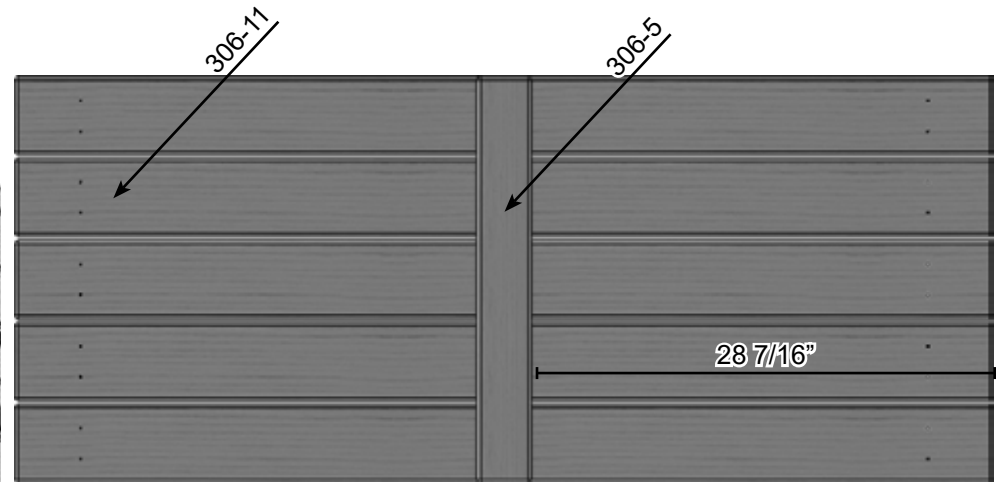
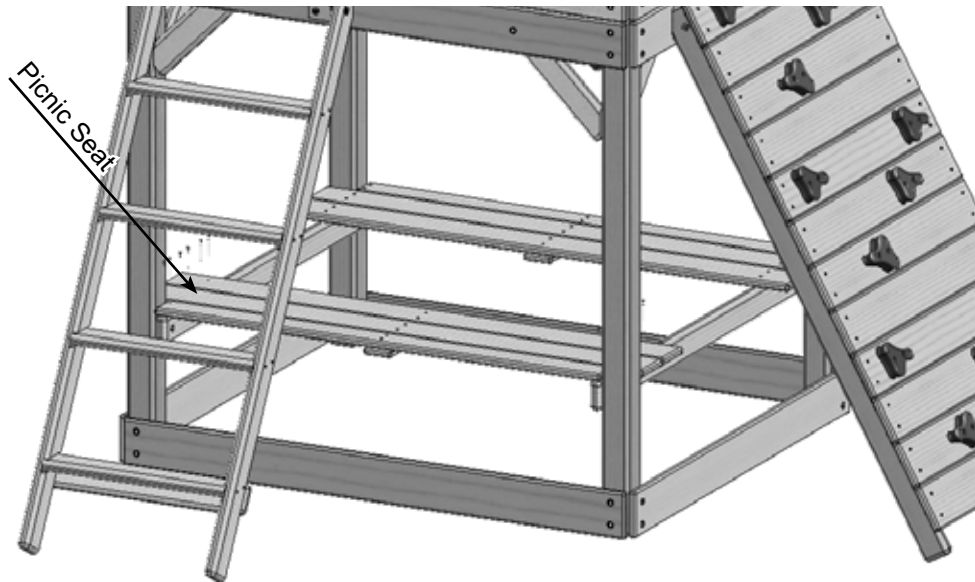
PARTS NEEDED

Picnic Seat Assembly-	(2)
306-11- Deck & Picnic Board-	(5)
306-5- Picnic Table Support-	(1)

HARDWARE NEEDED

D- 2 1/2" Coated Deck Screw-	(24)
B- 1 1/2" Coated Deck Screw-	(10)

(Skip for Lower Floor Install)



Parrot Island Fort Installation - Picnic Table Option

PARTS NEEDED

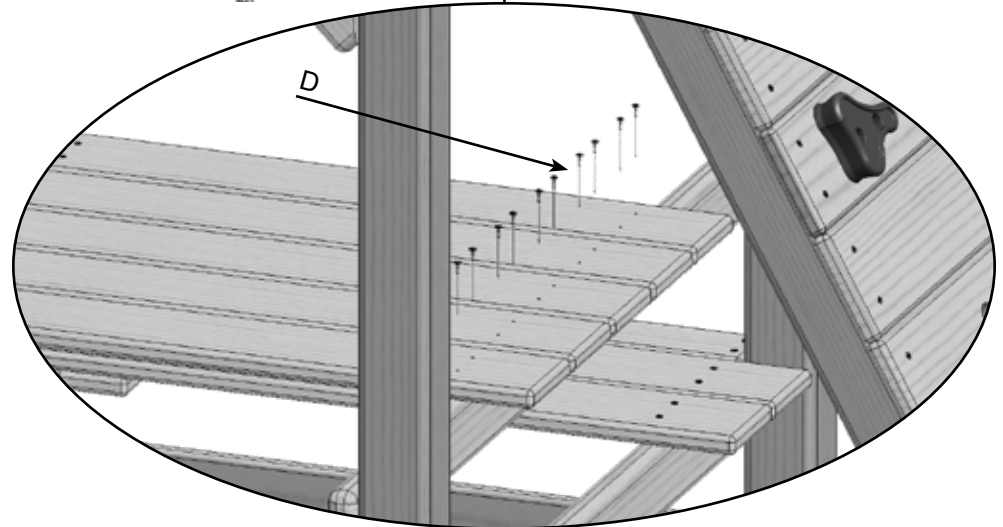
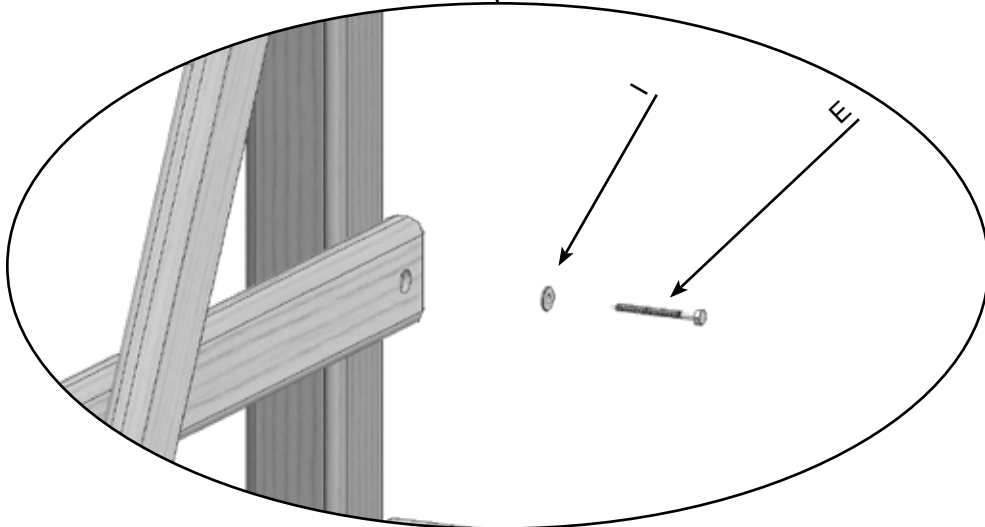
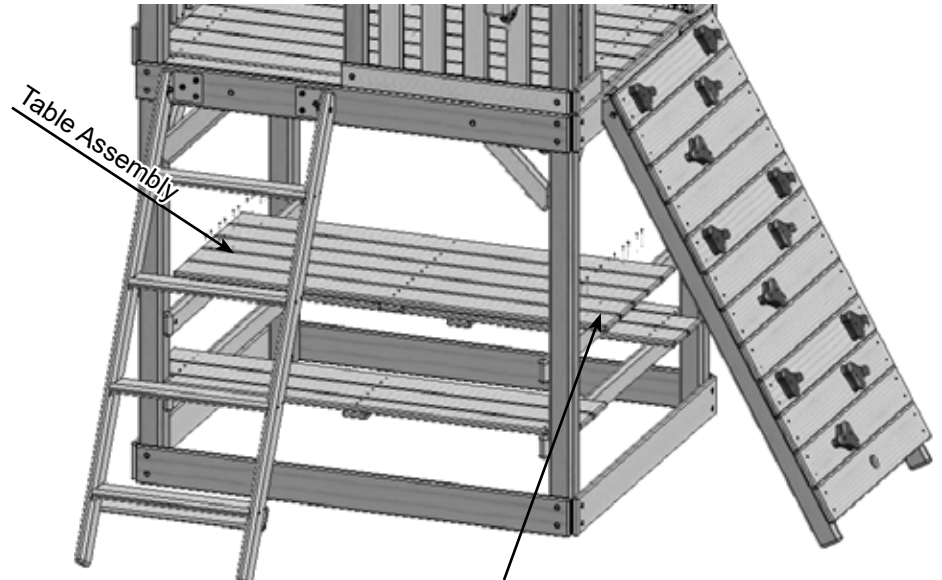
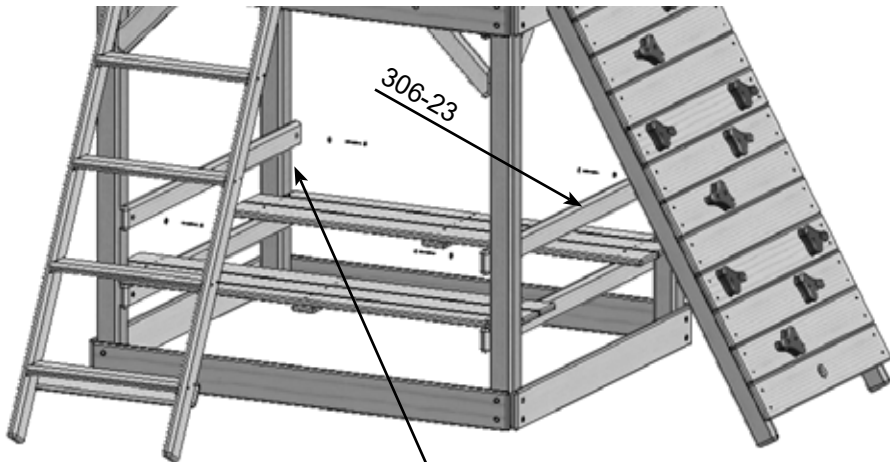
306-23- Picnic Mainbeam- (2)
Table Assembly- (1)

HARDWARE NEEDED

I- 1/4" USS Flatwasher- (4)
E- 1/4" x 3" Hex Lag Screw- (4)
D- 2 1/2" Coated Deck Screw- (20)

(Skip for Lower Floor Install)

20 1/4" FROM THE GROUND TO THE BOTTOM OF THE 306-23



Parrot Island Fort Installation - Lower Floor Option

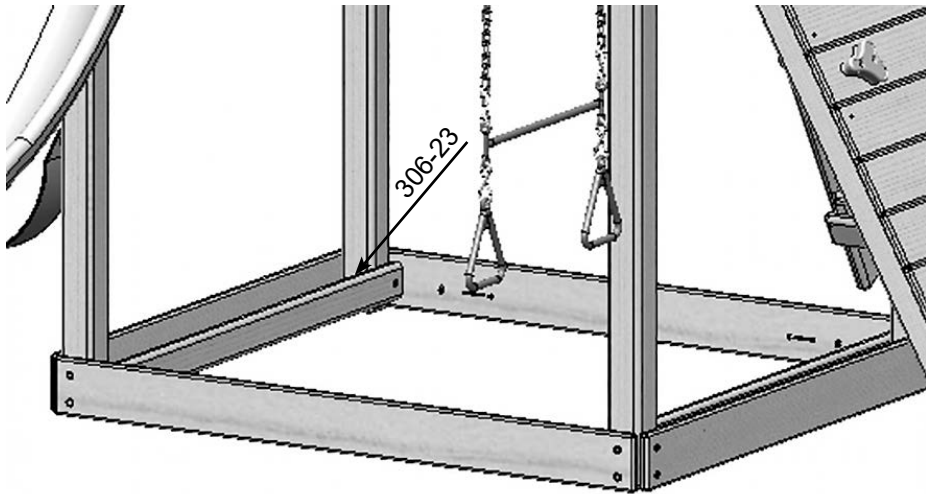
PARTS NEEDED

306-23- Picnic Mainbeam-	(2)
306-11- Deck & Picnic Board-	(4)
306-2- Picnic Seat Board-	(2)
306-10- End Deck Board-	(2)

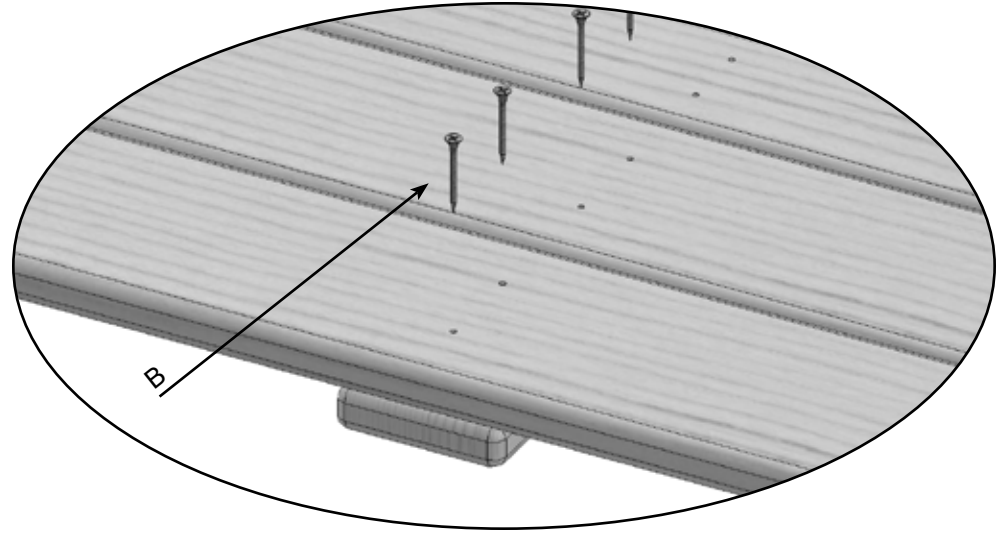
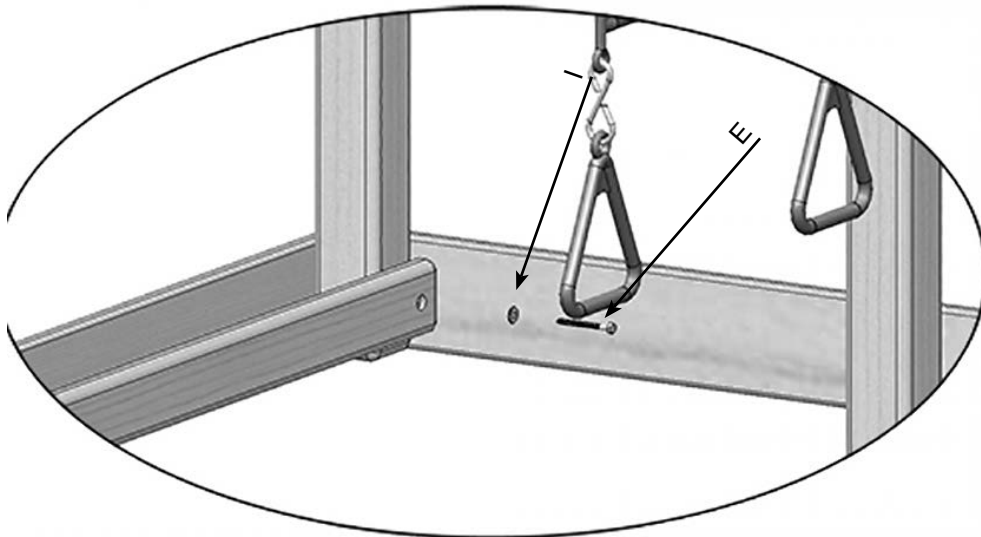
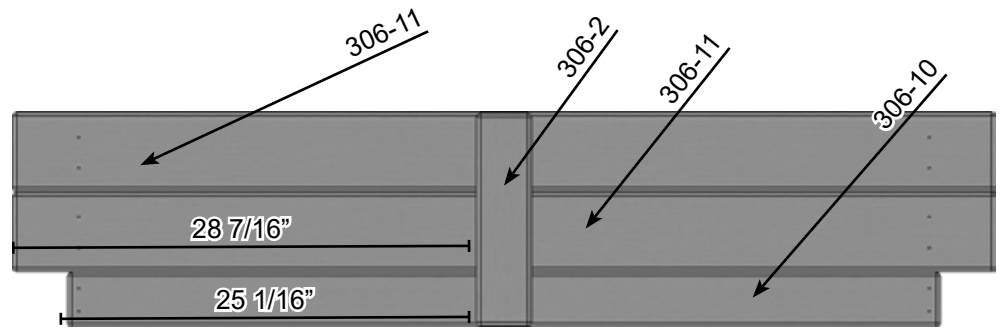
HARDWARE NEEDED

I- 1/4" USS Flatwasher-	(4)
E- 1/4" x 3" Hex Lag Screw-	(4)
B- 1 1/2" Coated Deck Screw-	(12)

1" FROM THE GROUND TO THE BOTTOM OF THE 306-23



MAKE 2 OF THESE



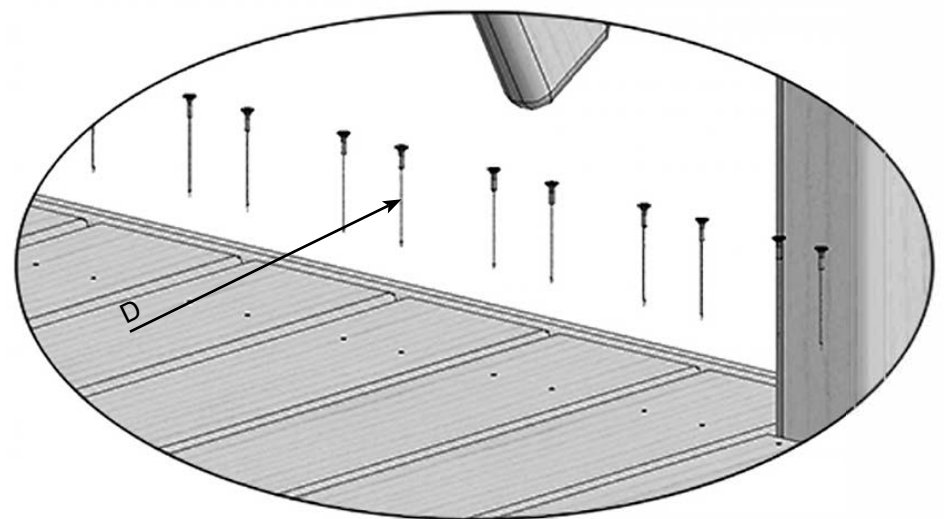
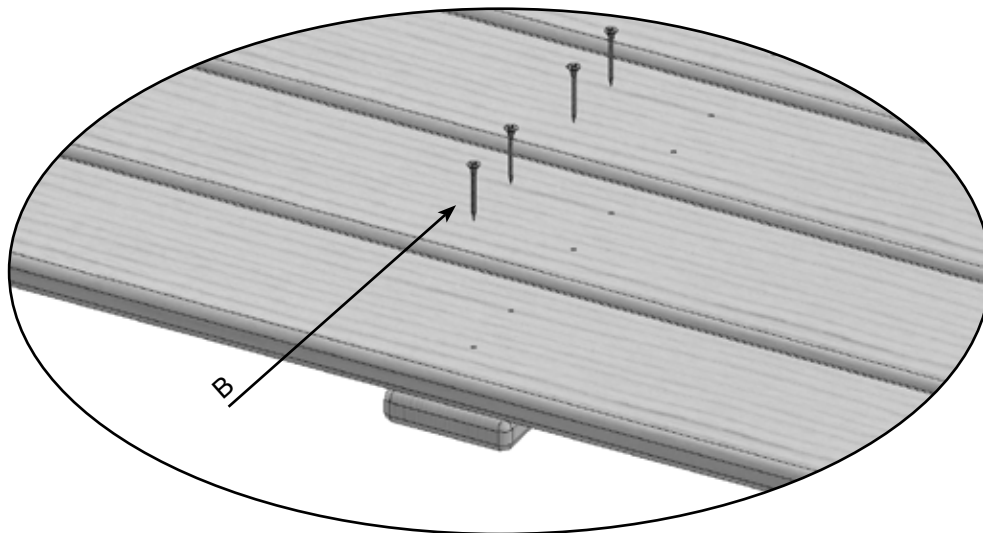
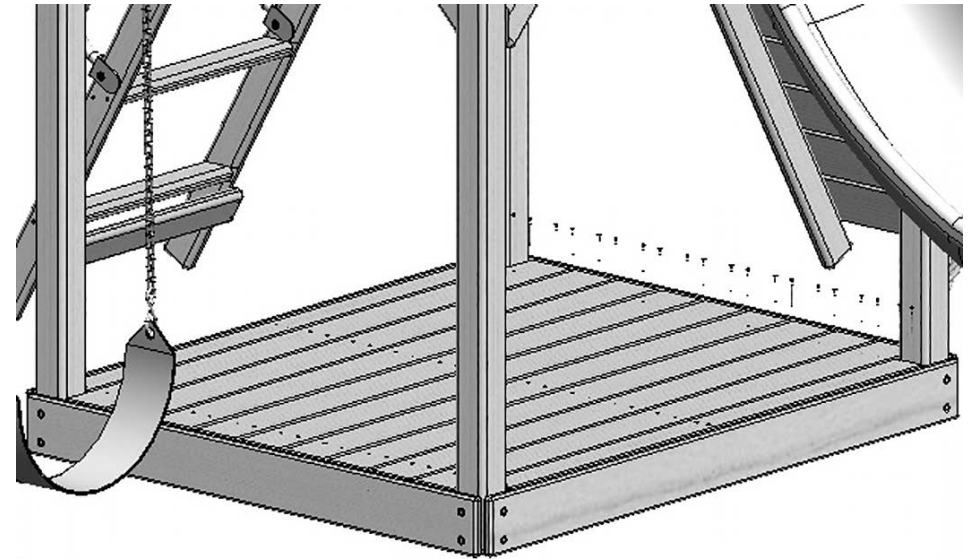
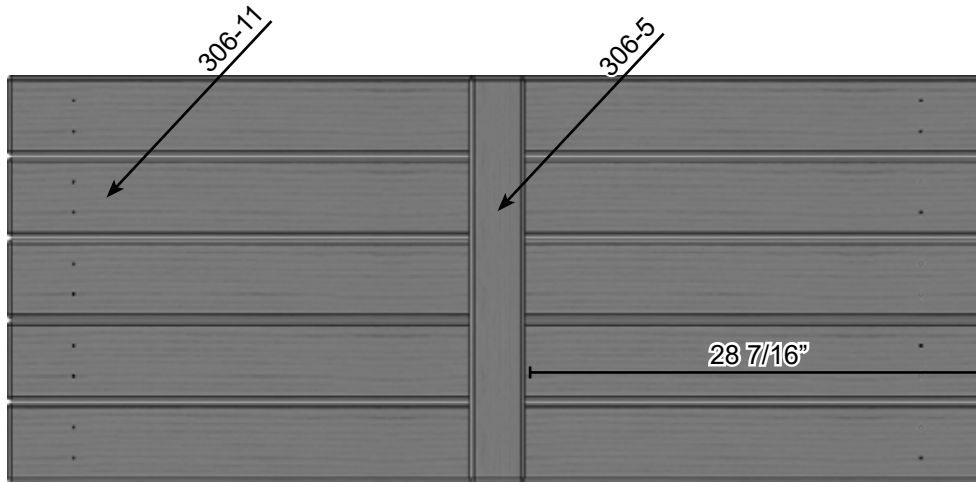
Parrot Island Fort Installation - Lower Floor Option

PARTS NEEDED

Picnic Seat Assembly-	(2)
306-11- Deck & Picnic Board-	(5)
306-5- Picnic Table Support-	(1)

HARDWARE NEEDED

D- 2 1/2" Coated Deck Screw-	(48)
B- 1 1/2" Coated Deck Screw-	(10)



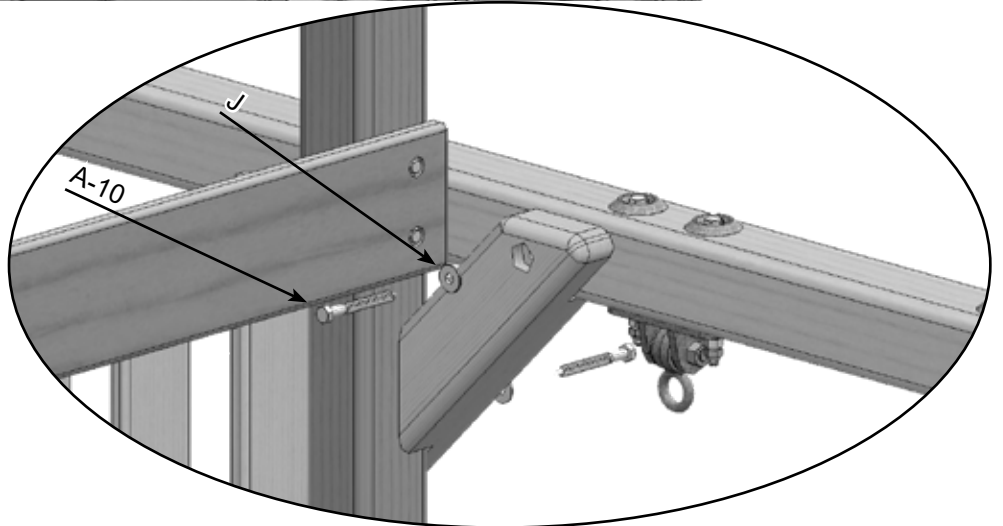
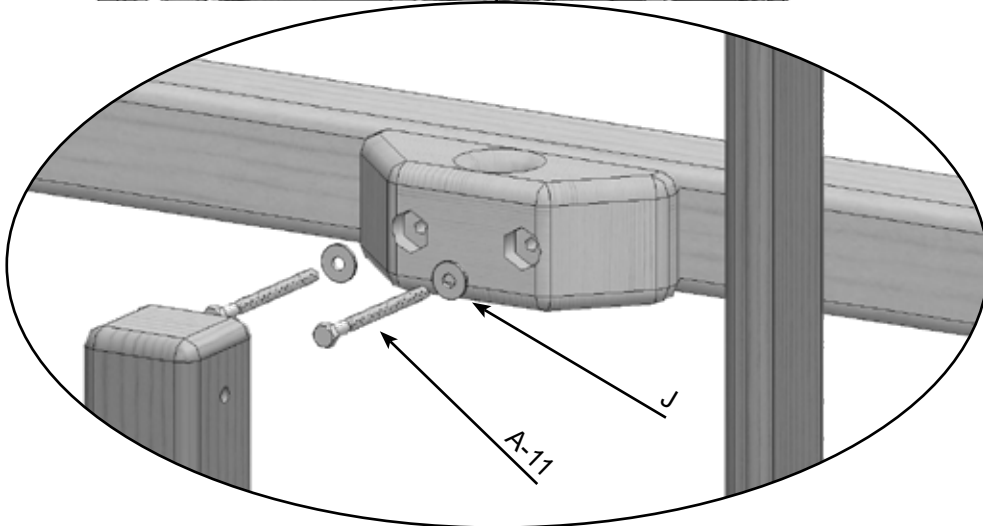
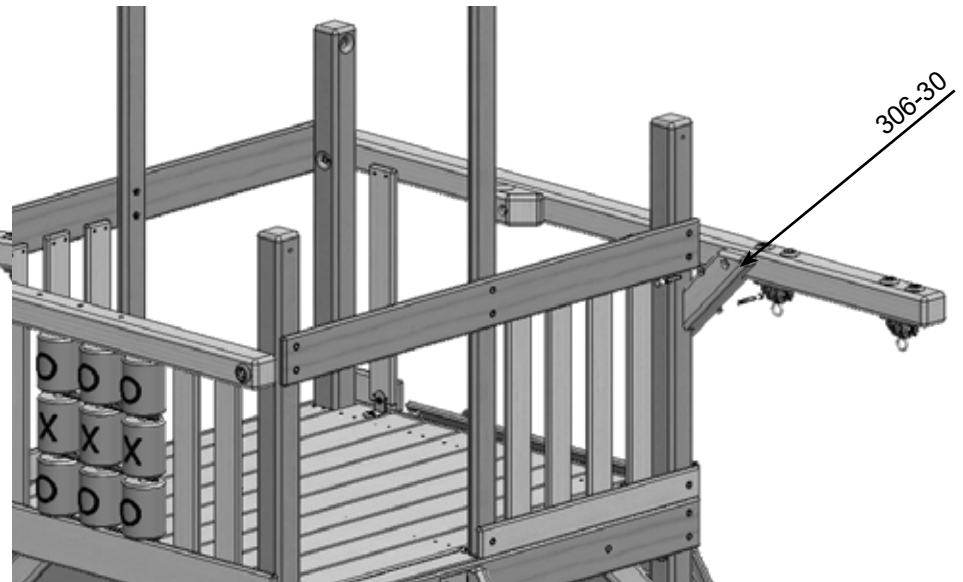
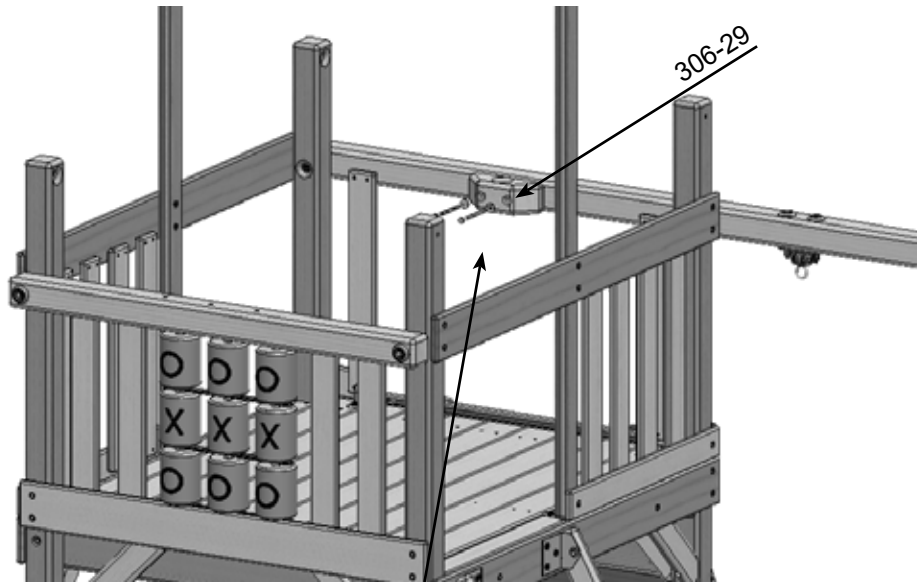
Parrot Island Fort Installation

PARTS NEEDED

- 306-29- Rope Block- (1)
- 306-30- Trapeze Gusset- (1)

HARDWARE NEEDED

- J- 3/8" USS Flatwasher- (4)
- A-11- 3/8" x 5" Hex Lag Screw- (2)
- A-10- 3/8" x 3 1/2" Hex Lag Screw- (2)



Parrot Island Fort Installation

PARTS NEEDED

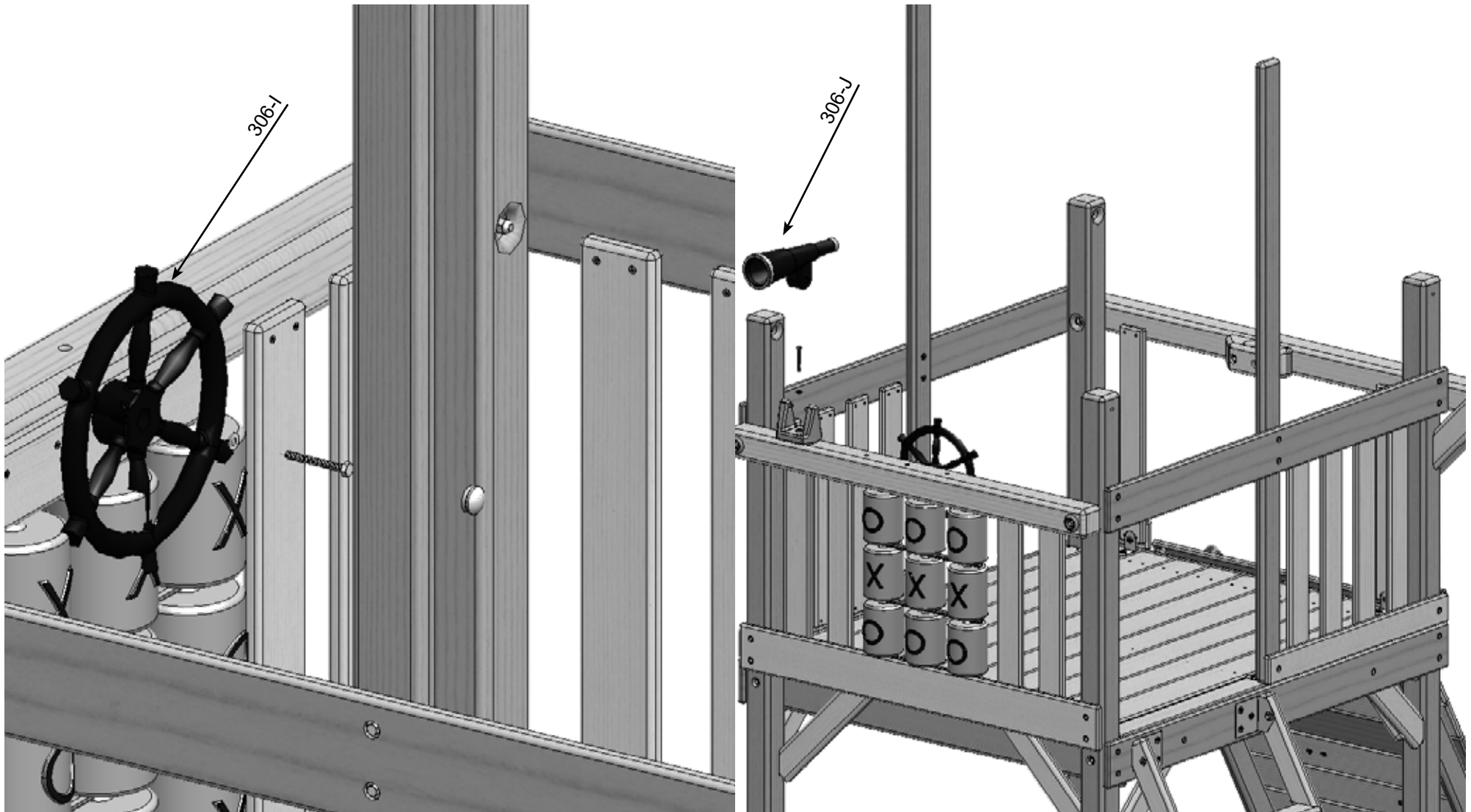
306-I- 12" Ship's Wheel-
306-J- Telescope-

(1)
(1)

HARDWARE NEEDED

Hardware with Accessories-

(2)



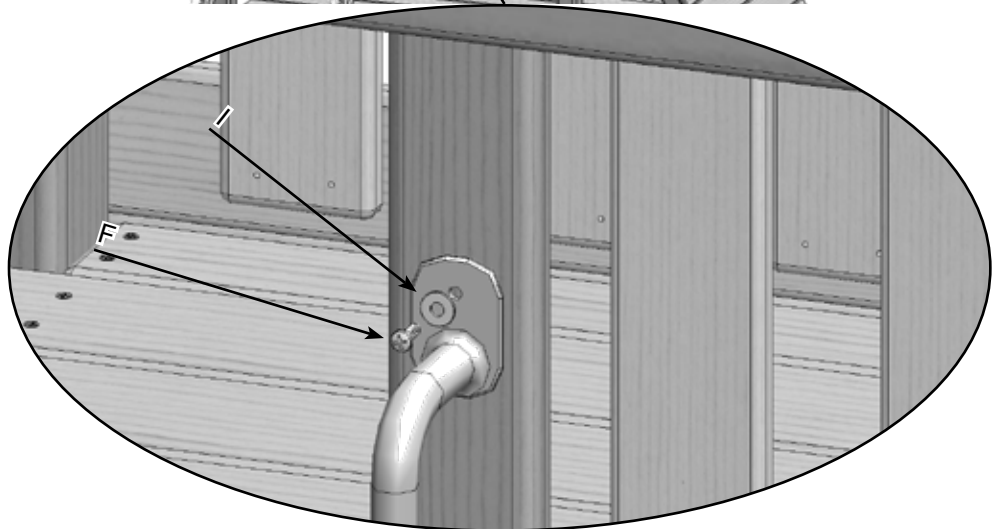
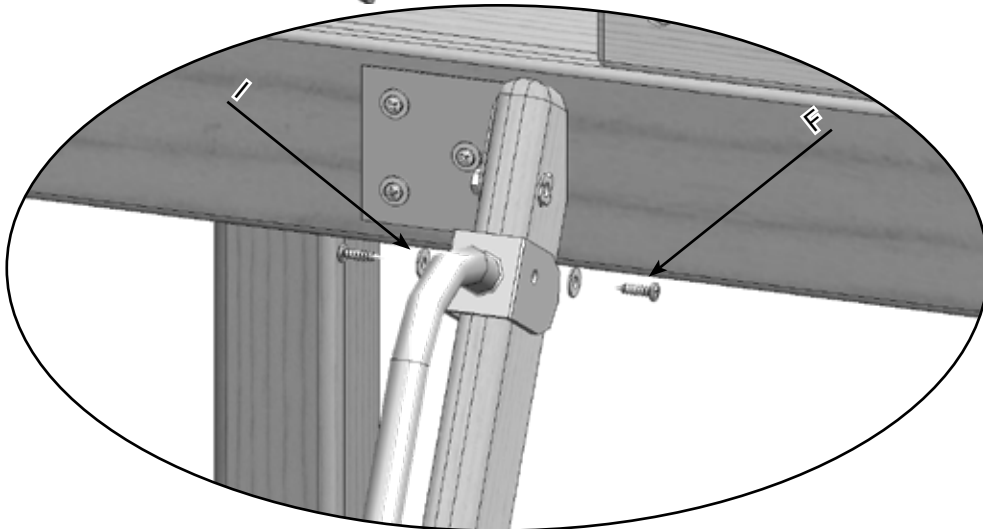
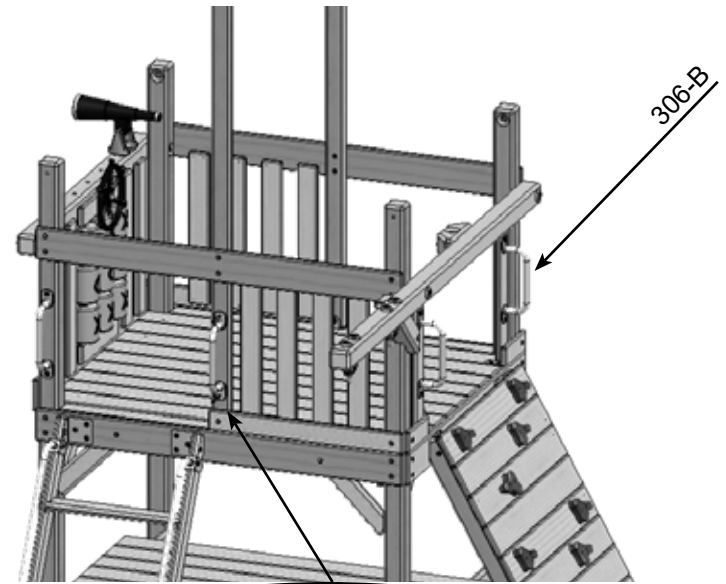
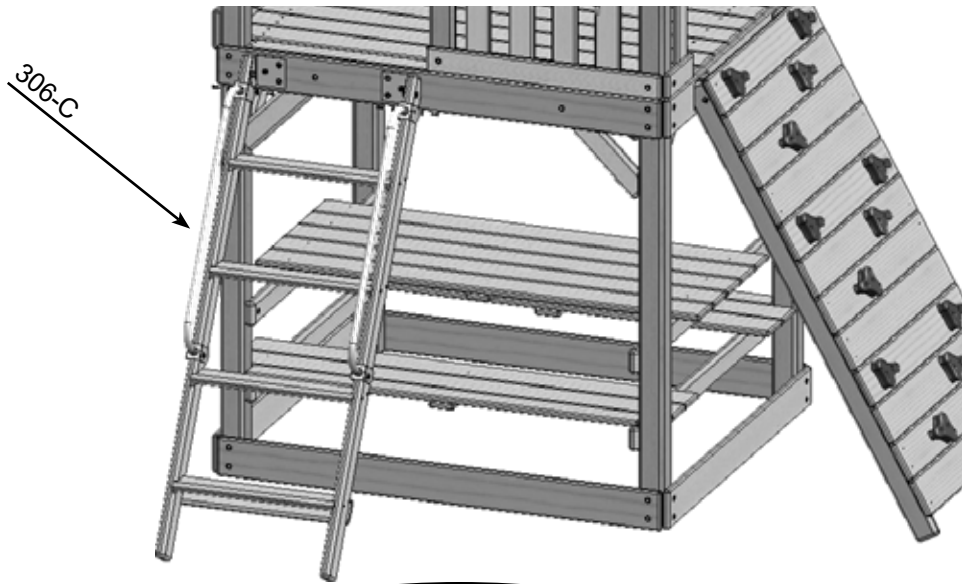
Parrot Island Fort Installation

PARTS NEEDED

306-C- U- Mount Ladder Handles- (2)
306-B- Playgrip Safety Handles- (4)

HARDWARE NEEDED

I- 1/4" USS Flatwasher- (16)
F- #14 x 1" Pan Phillips T/S- (16)



Parrot Island Fort Installation

PARTS NEEDED

306-L- 14' Yellow Rope-
Slide-

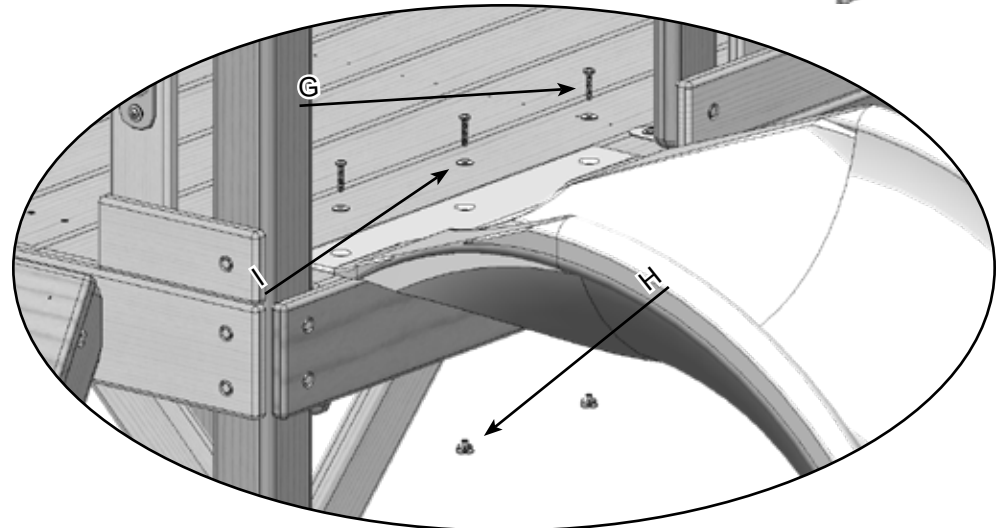
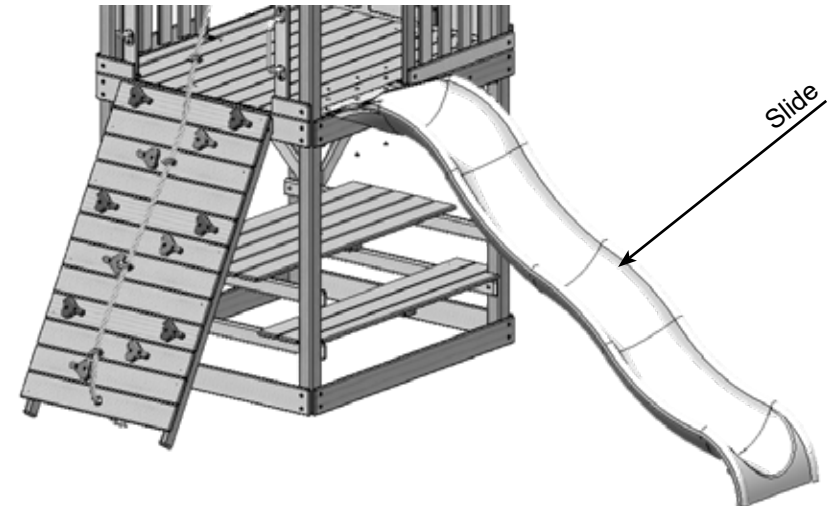
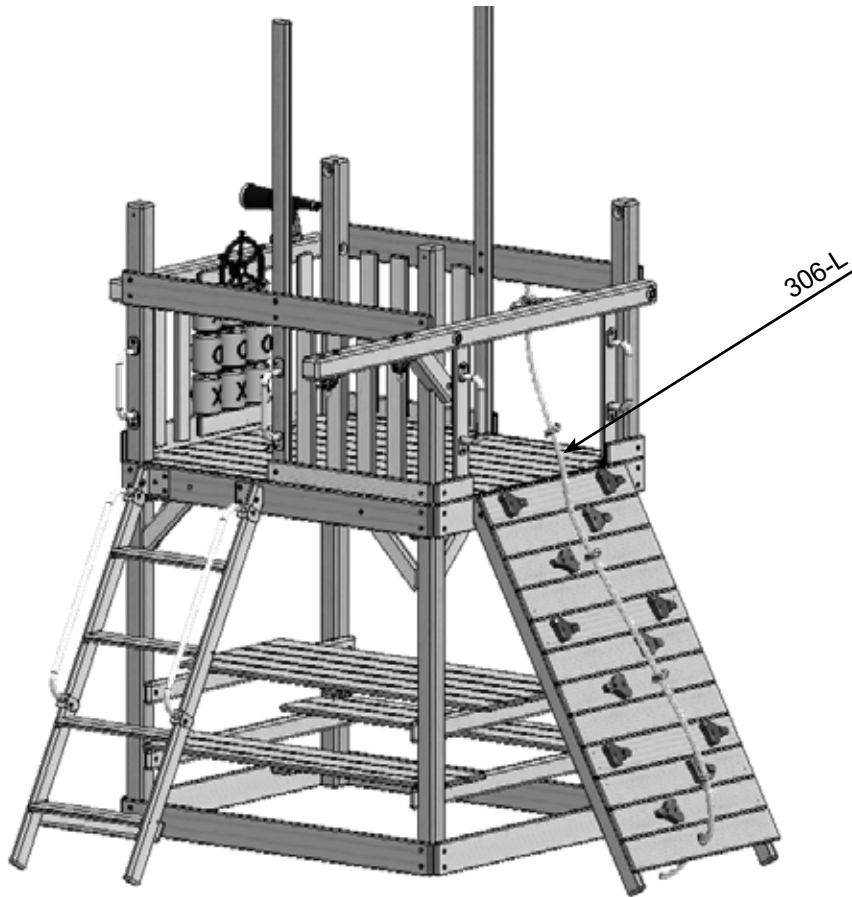
(1)
(1)

HARDWARE NEEDED

G- #14 x 1" Pan Phillips M/S-
I- 1/4" USS Flatwasher-
H- 1/4" 4 Prong T-Nut-

(3)
(3)
(3)

SET THE SLIDE ON THE DECK AND USING A 5/16" DRILL BIT DRILL THROUGH THE SLIDE AND THE DECK. THEN ASSEMBLY AS SHOWN.



STRING 306-L THROUGH THE ROPE BLOCK AND TIE A KNOT. THEN TIE 3 TO 4 KNOTS EVERY 2 TO 3 FEET. THEN STRING THROUGH THE 306-L THROUGH THE ROCKWALL ROPE BOARD AND TIE A KNOT.

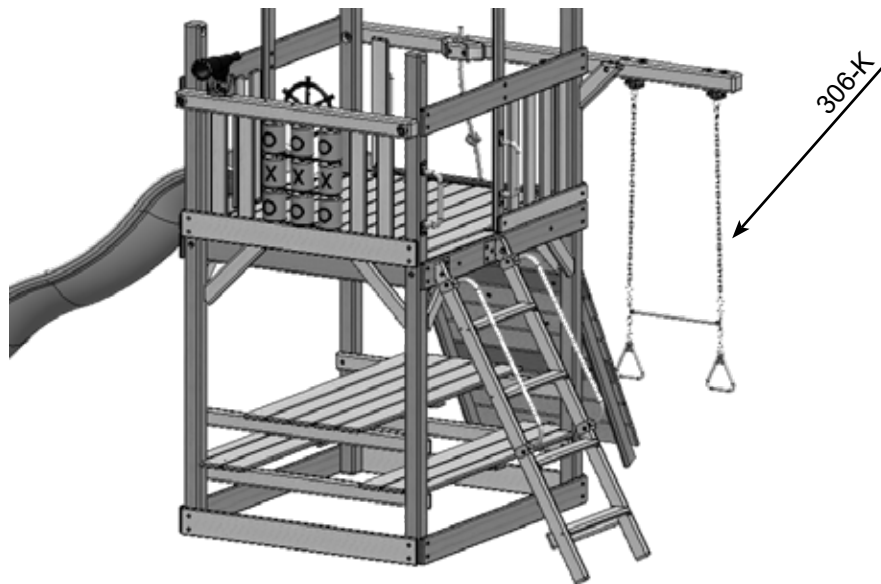
Parrot Island Fort Installation

PARTS NEEDED

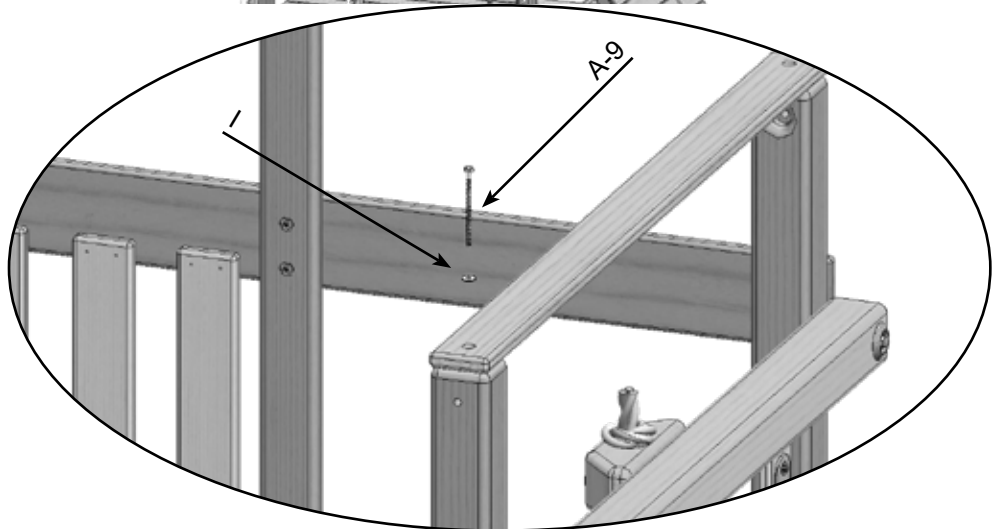
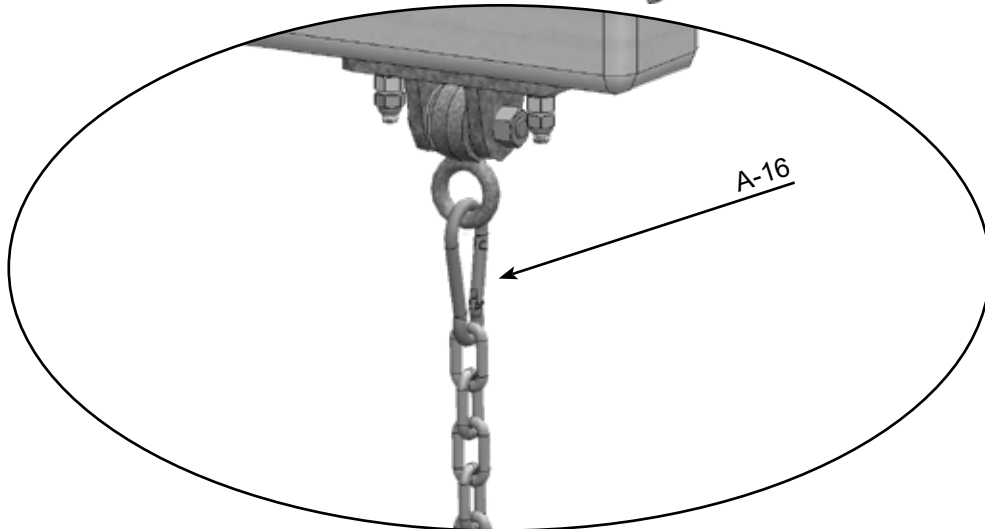
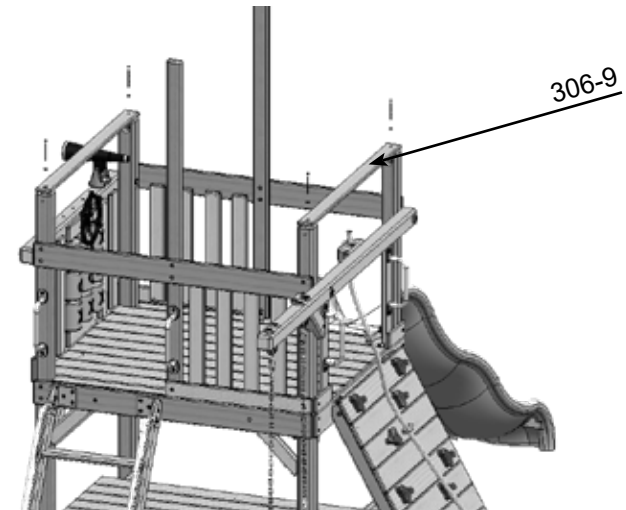
- 306-K- 16" Trapeze Bar- (1)
- A-16- 8 x 80mm Spring Clip- (2)
- 306-9- End Tarp Board- (2)

HARDWARE NEEDED

- A-9- 1/4" x 4 1/2" Hex Lag Screw- (4)
- I- 1/4" USS Flatwasher- (4)



FOR TARP ROOF ONLY



Parrot Island Fort Installation

PARTS NEEDED

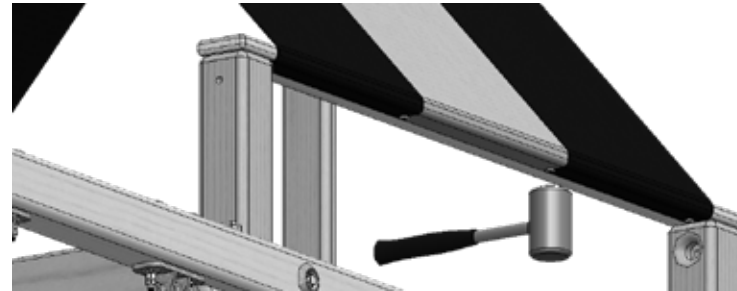
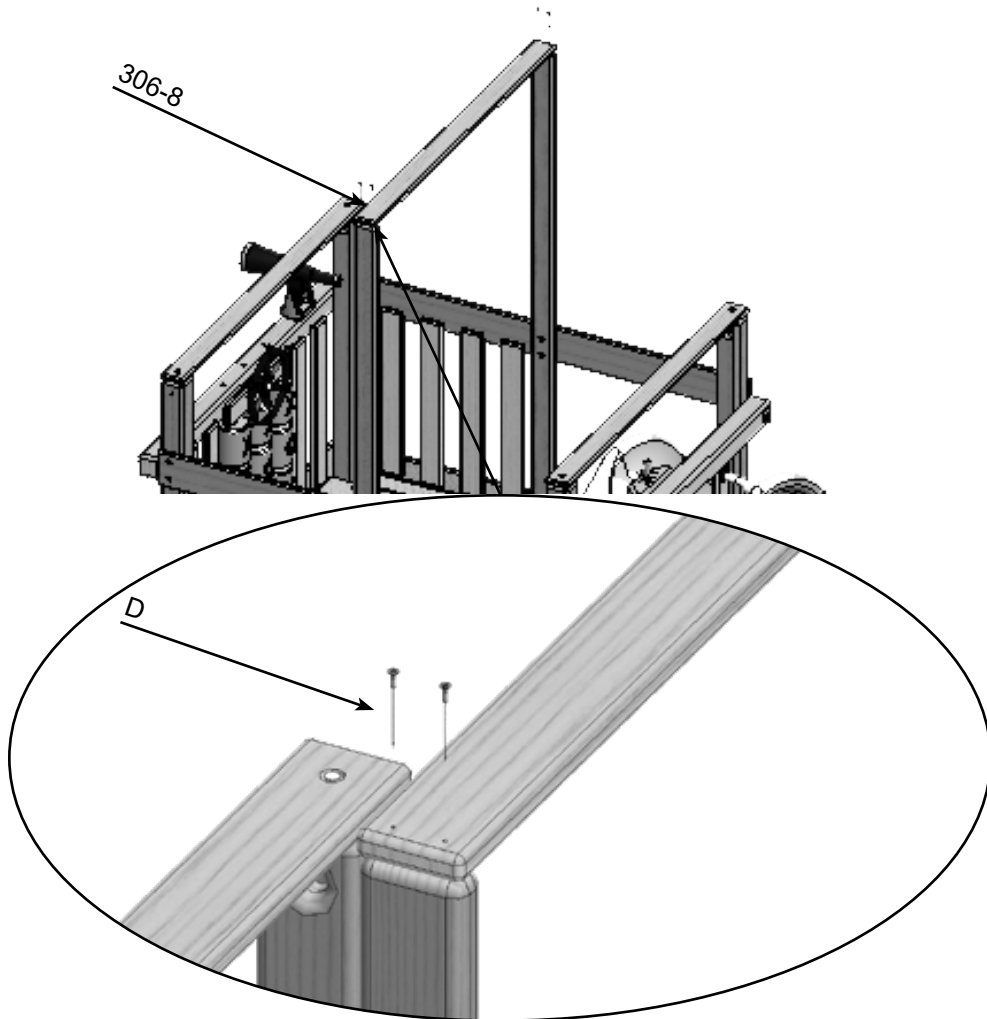
306-8- Center Tarp Board- (1)
Tarp- (1)

HARDWARE NEEDED

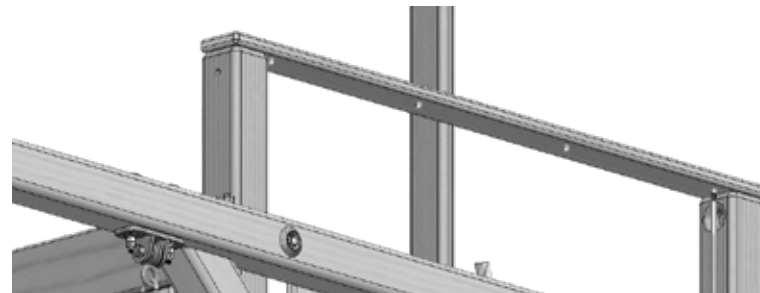
D- 2 1/2" Coated Deck Screw- (4)
K- 5/8" Phillips Screw Snap- (8)

(Skip for Wood Roof Install)

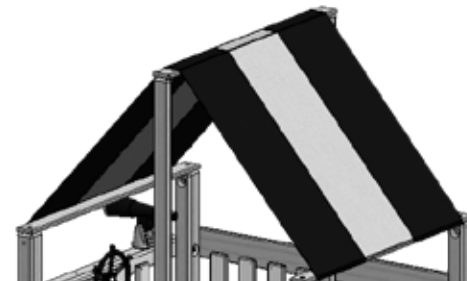
FOR TARP ROOF ONLY



MARK THE PLACEMENT OF THE TARP SNAPS



SCREW THE BAG K SNAPS INTO THE TARP BOARD



Parrot Island Fort Installation

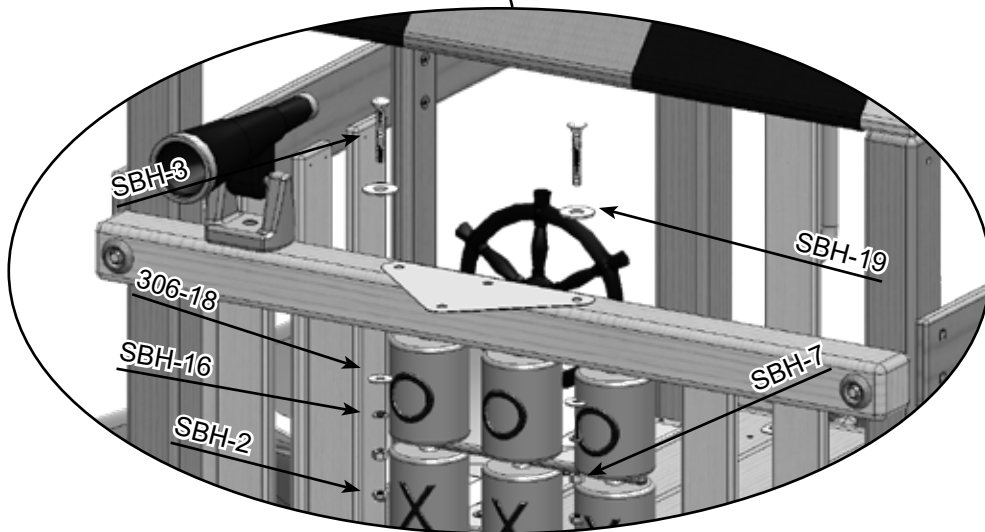
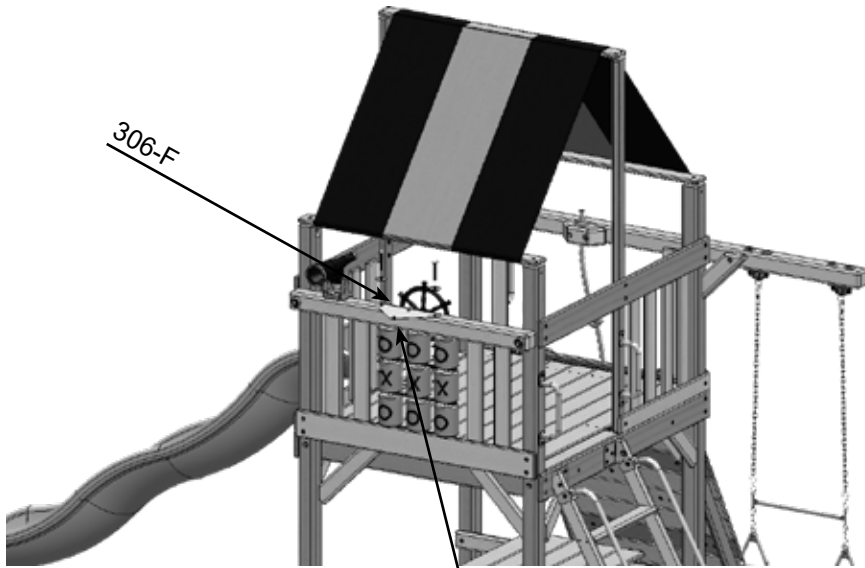
PARTS NEEDED

- 306-F- Swingbeam Tri- Plate- (1)
- 010-7- 3 Position Swingbeam- (1)
- 306-A- Ductile Iron Swing Hanger- (6)

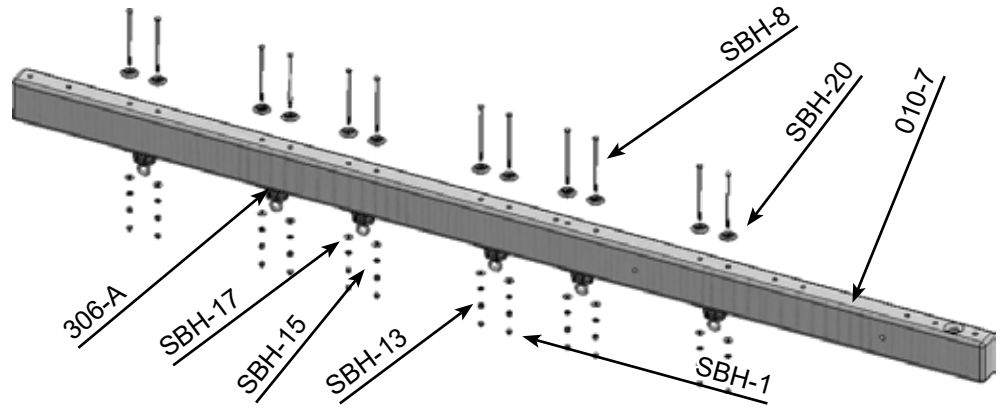
- SBH-3- 1/2" x 3 1/2" Carriage Bolt- (2)
- SBH-18- 1/2" USS Flatwasher- (2)
- SBH-2- 1/2" Acorn Nut Plated- (2)
- SBH-20- 3/8" Bolt Cup- (12)
- SBH-15- 3/8" Split Lockwasher- (12)
- SBH-1- 3/8" Acorn Nut Plated- (12)

HARDWARE NEEDED

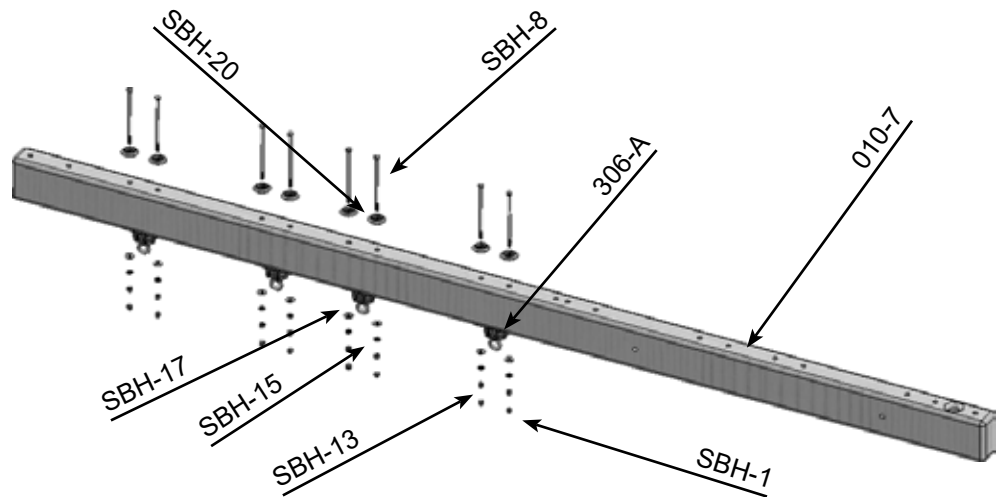
- SBH-19- 3/4" USS Flatwasher- (2)
- SBH-7- 1/2" Hex Nut- (2)
- SBH-8- 3/8" x 7" Hex Bolt- (12)
- SBH-17- 3/8" USS Flatwasher- (12)
- SBH-13- 3/8" Nylon Insert Locknut- (12)



3 POSITION INSIDE



3 POSITION OUTSIDE



Parrot Island Fort Installation

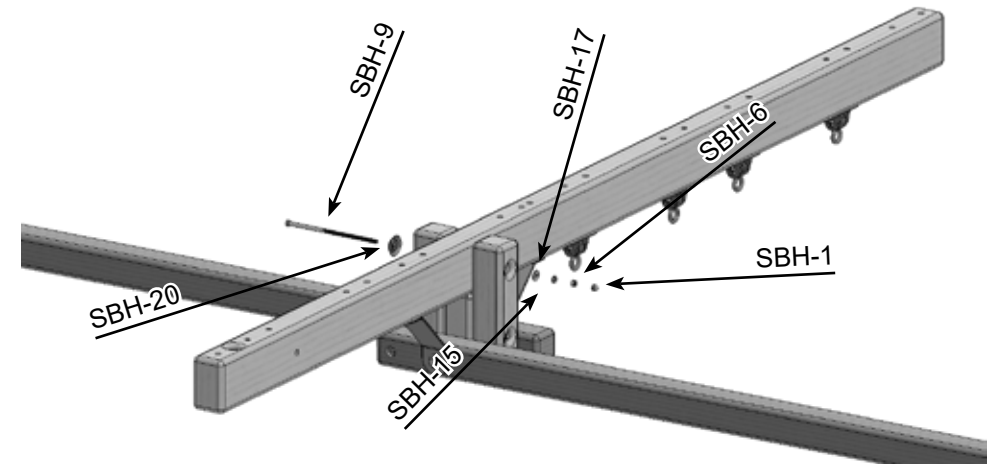
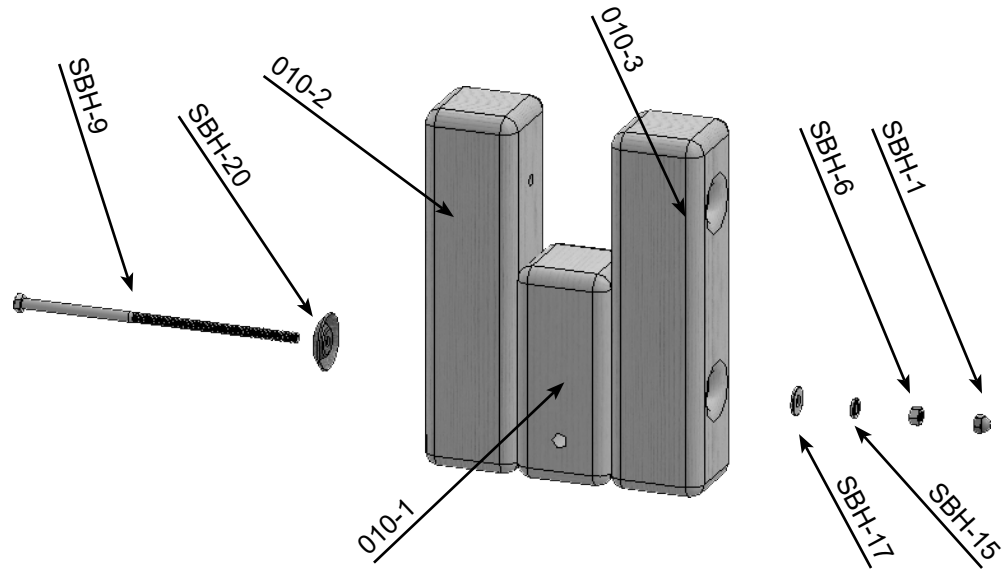
PARTS NEEDED

- 010-1- Center A- Frame Block- (1)
- 010-2- A- Frame Block- (1)
- 010-3- A- Frame Block Sunked- (1)
- 010-5- A- Frame Leg- (2)
- 306-P- 45 Degree Swingbeam Bracket- (2)

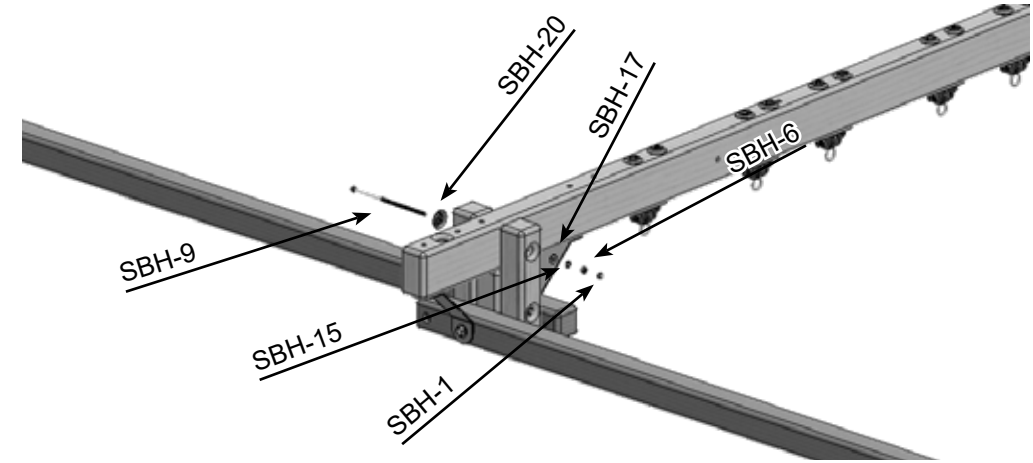
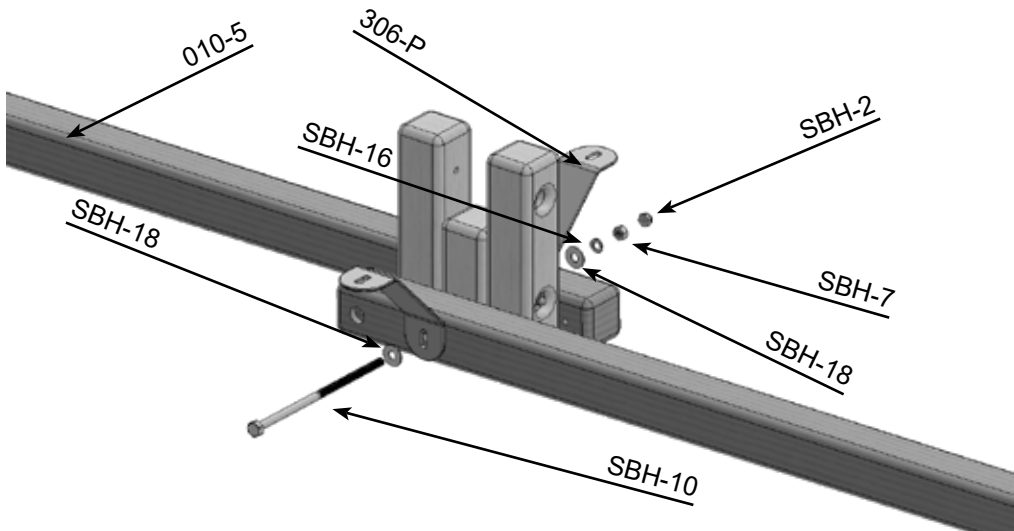
- SBH-9- 3/8" x 10" Hex Bolt- (2)
- SBH-17- 3/8" USS Flatwasher- (2)
- SBH-6- 3/8" Hex Nut- (2)
- SBH-18- 1/2" USS Flatwasher- (2)
- SBH-16- 1/2" Split Lockwasher- (1)
- SBH-2- 1/2" Acorn Nut Plated- (1)

HARDWARE NEEDED

- SBH-20- 3/8" Bolt Cup- (2)
- SBH-15- 3/8" Split Lockwasher- (2)
- SBH-1- 3/8" Acorn Nut Plated- (2)
- SBH-10- 1/2" x 11 1/2" Hex Bolt- (1)
- SBH-7- 1/2" Hex Nut- (1)



3 POSITION OUTSIDE



3 POSITION INSIDE

Parrot Island Fort Installation

PARTS NEEDED

Swingbeam Assembly-

(1)

SBH-4- 1/2" x 7" Carriage Bolt-
 SBH-18- 1/2" USS Flatwasher-
 SBH-7- 1/2" Hex Nut-
 SBH-5- 1/2" x 9" Carriage Bolt-

HARDWARE NEEDED

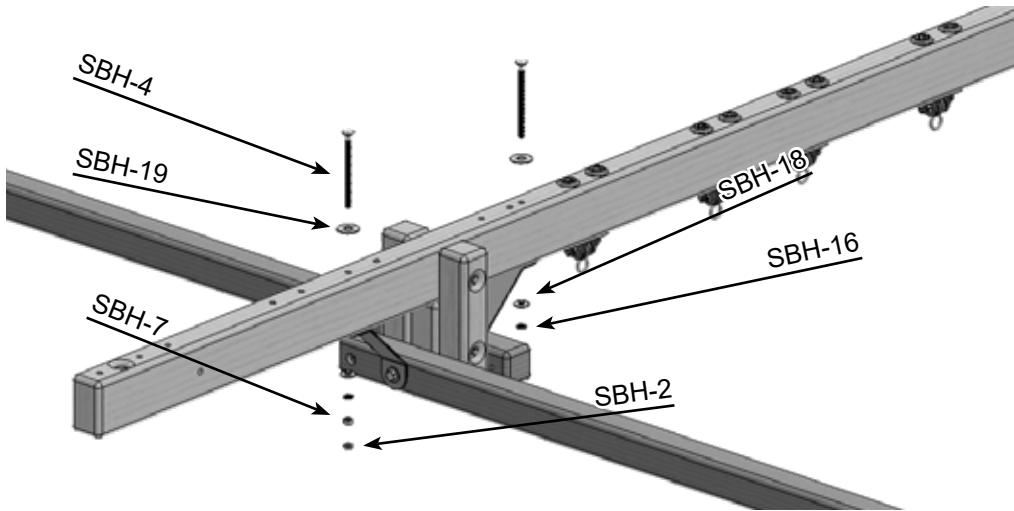
(3)

SBH-19- 3/4" USS Flatwasher-
 SBH-16- 1/2" Split Lockwasher-
 SBH-2- 1/2" Acorn Nut-

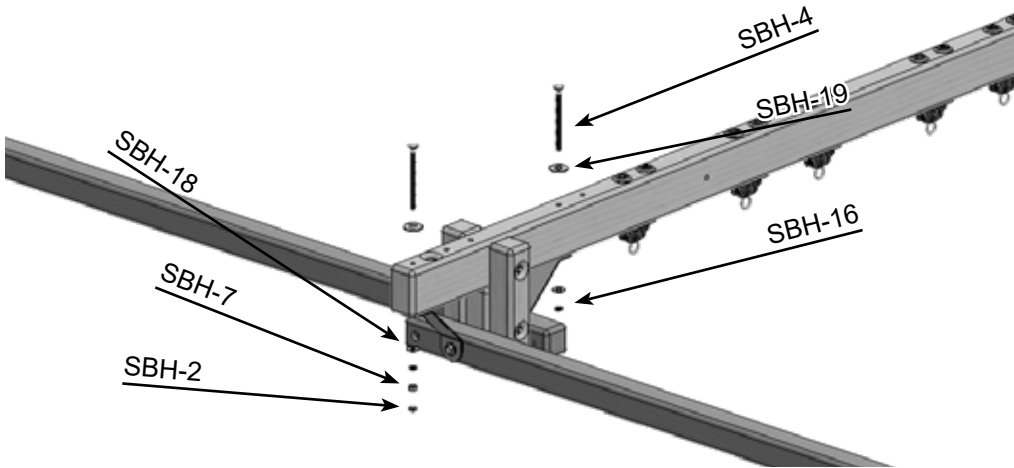
(4)

(4)

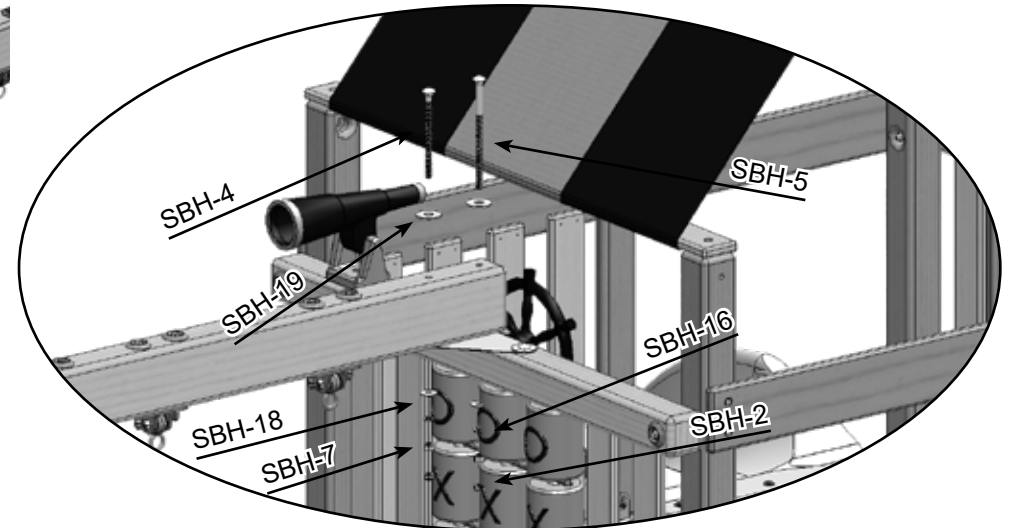
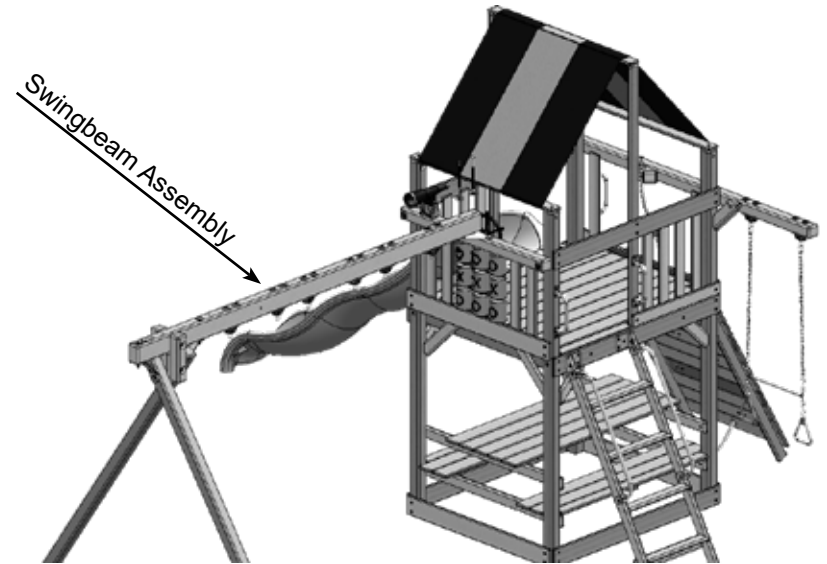
(4)



3 POSITION OUTSIDE



3 POSITION INSIDE



Parrot Island Fort Installation

PARTS NEEDED

010-4- A- Frame Crossmember-

(1)

SBH-4- 1/2" x 7" Carriage Bolt-

SBH-18- 1/2" USS Flatwasher-

SBH-7- 1/2" Hex Nut-

SBH-12- 3/8" x 5" Hex Lag Screw-

HARDWARE NEEDED

(2)

SBH-19- 3/4" USS Flatwasher-

(2)

(2)

SBH-16- 1/2" Split Lockwasher-

(2)

(2)

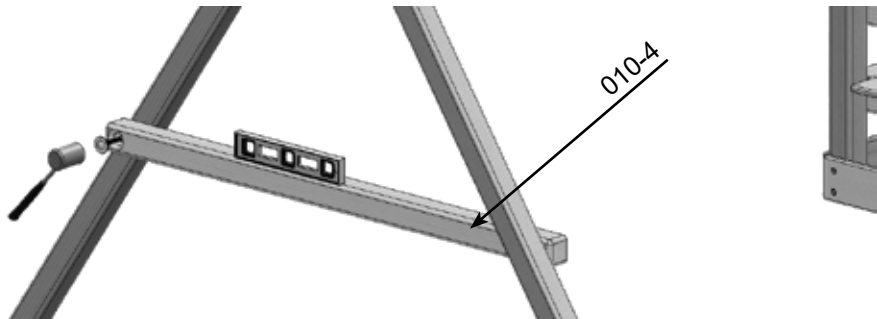
SBH-2- 1/2" Acorn Nut Plated-

(2)

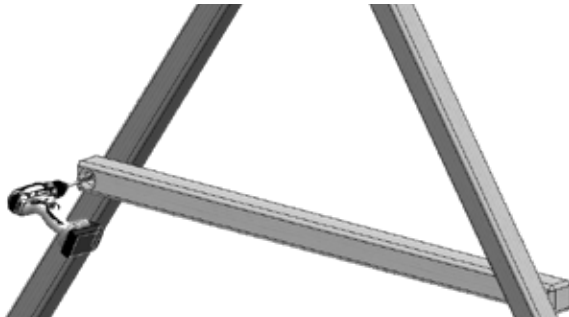
(2)

SBH-17- 3/8" USS Flatwasher-

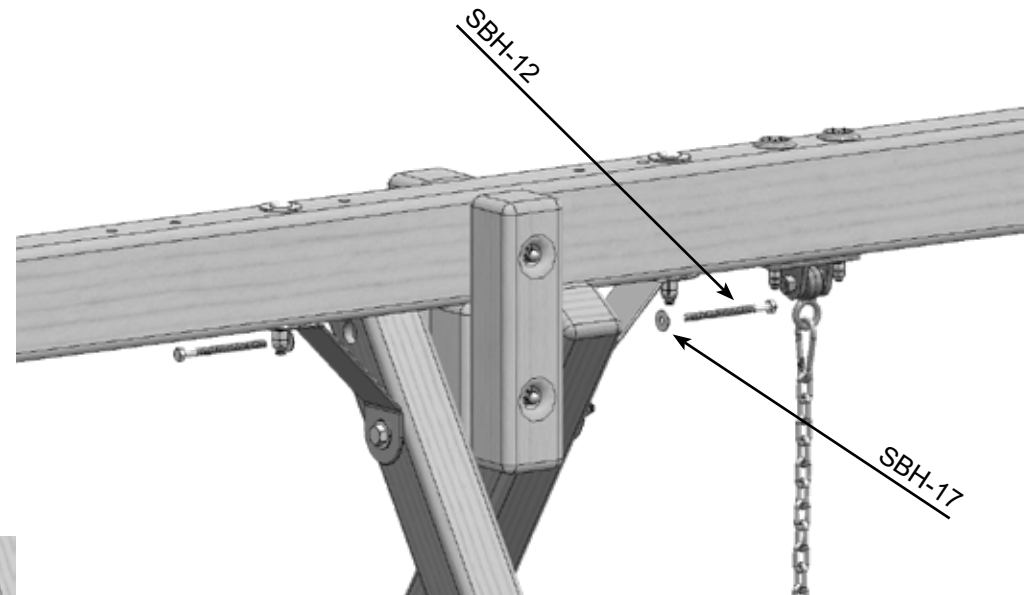
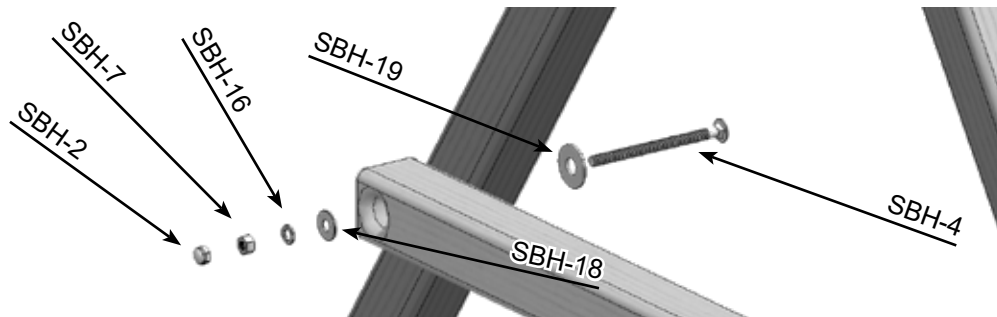
(2)



Mark Holes for Drilling



USING A 9/16" DRILL BIT DRILL AT MARKED HOLES AND ASSEMBLE AS SHOWN



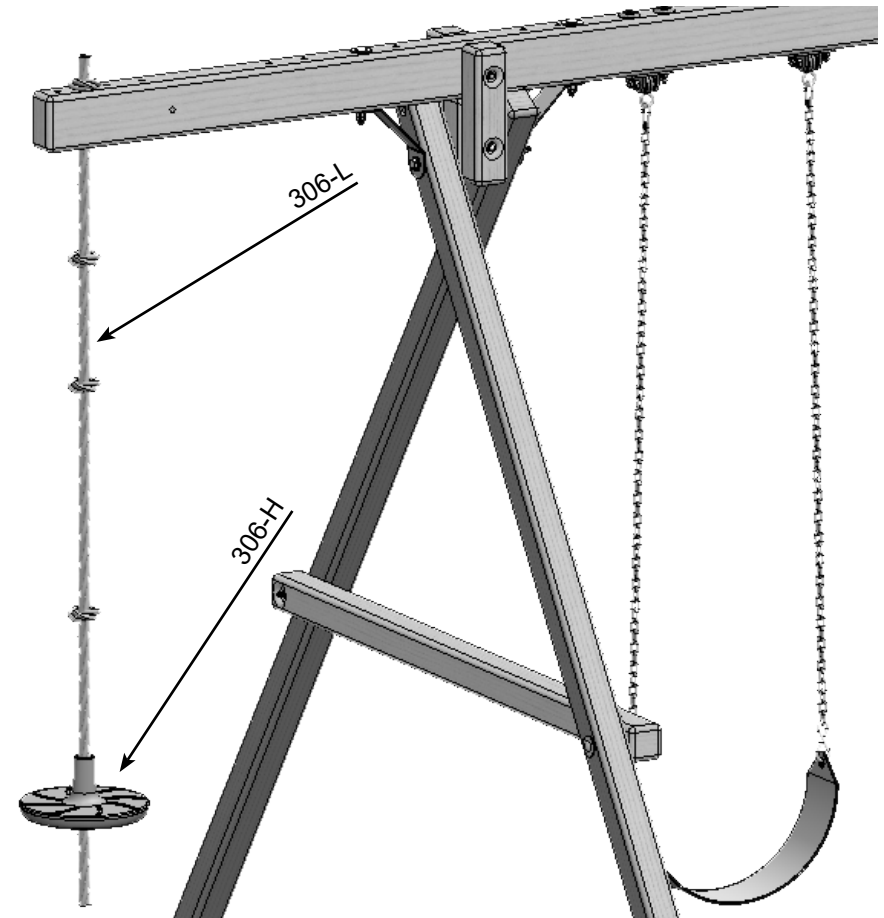
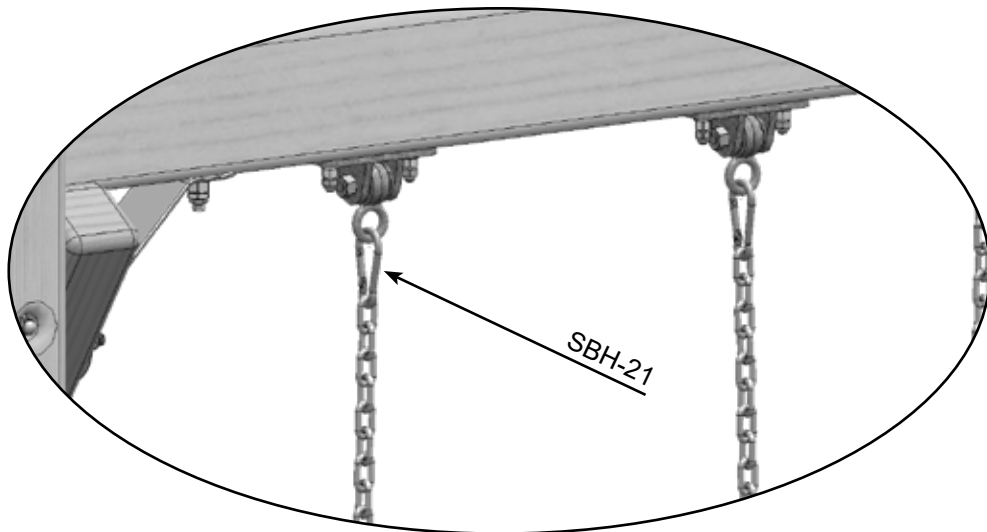
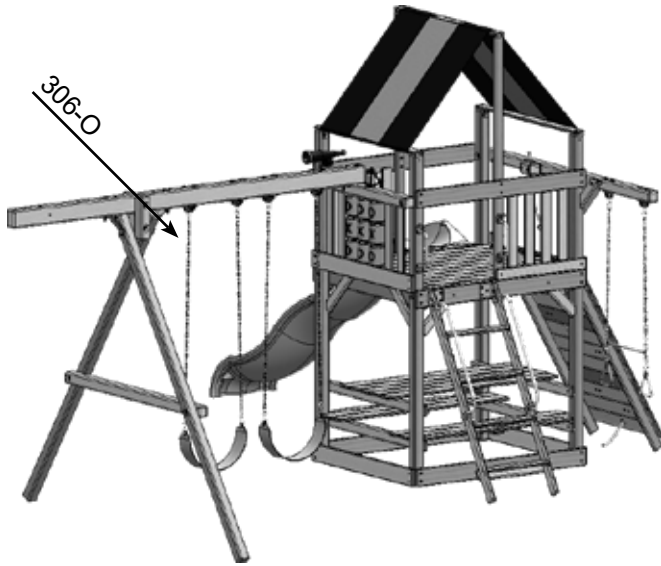
Parrot Island Fort Installation

PARTS NEEDED

- 306-L- 14' Yellow Rope- (1)
- 306-O- 56" Chained Belt Swing- (2)
- 306-H- Disc Swing- (1)

HARDWARE NEEDED

- SBH-21- 8 x 80mm Spring Clip- (4)



Parrot Island Fort Installation - Wood Roof Option

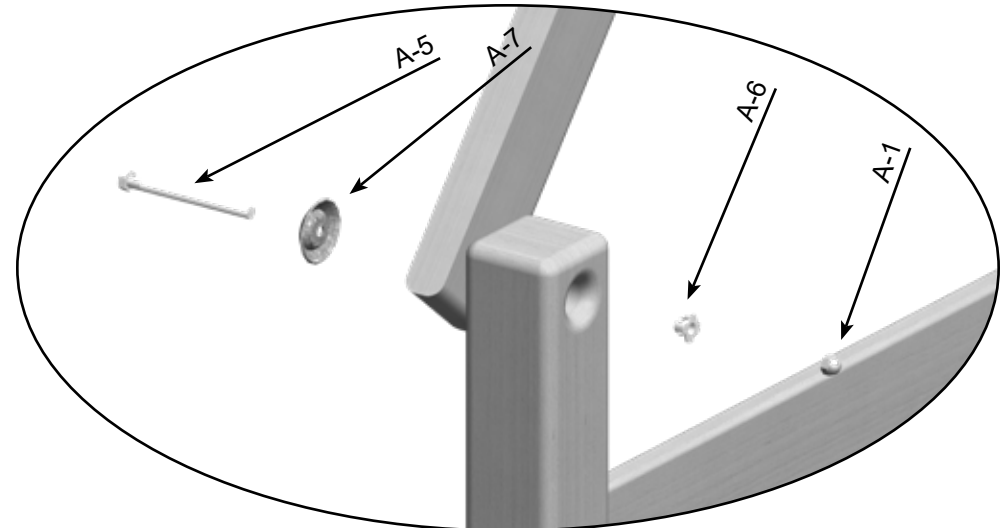
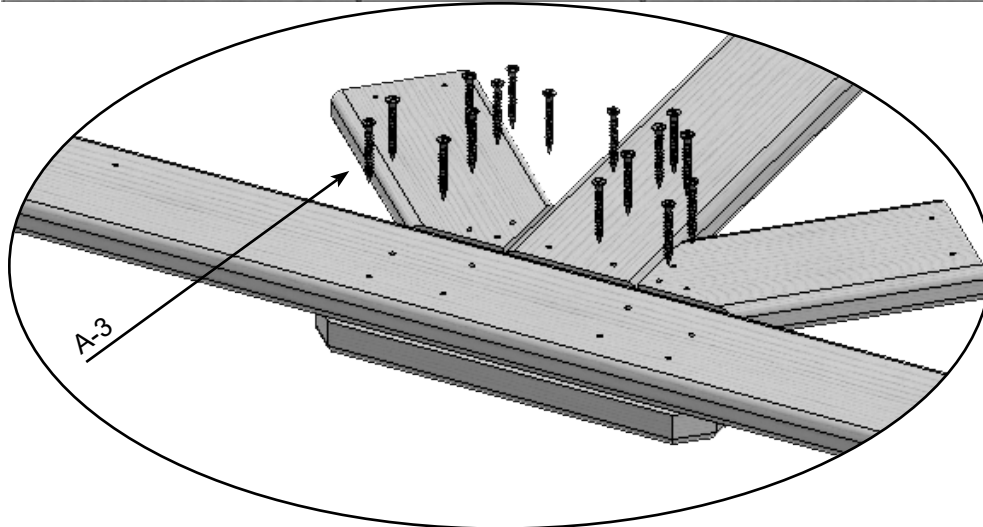
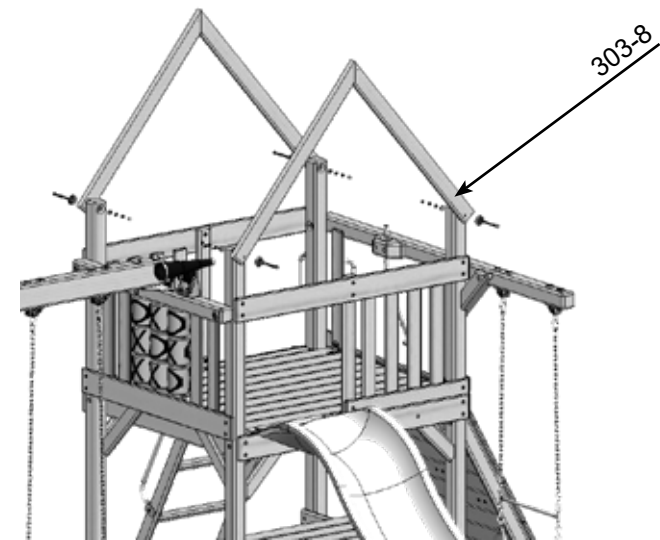
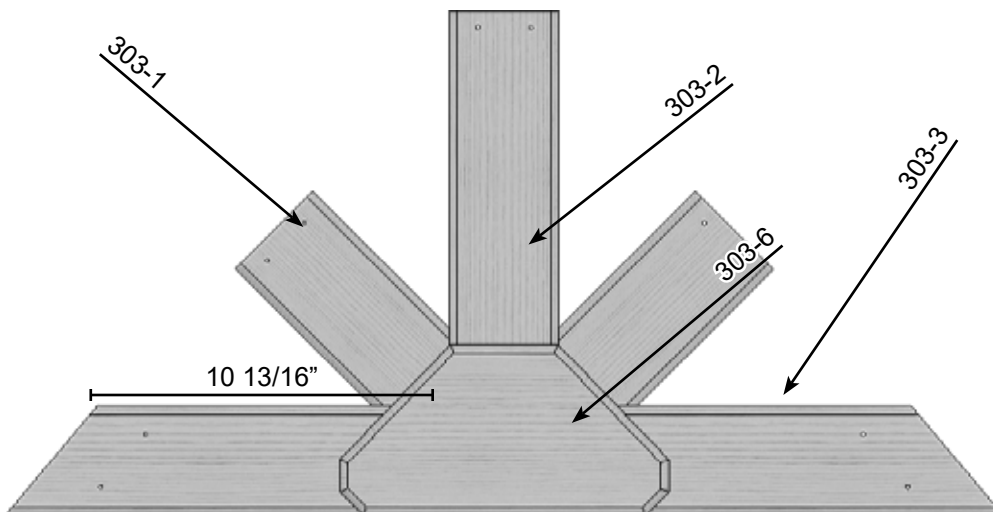
PARTS NEEDED

303-1- Fan Board-	(4)
303-2- Center Fan Board-	(2)
303-6- Center Fan Facia-	(2)
303-3- Bottom Fan Board-	(2)
303-8- Wood Roof Support-	(4)

HARDWARE NEEDED

A-3- 1 1/2" Coated Deck Screw-	(32)
A-5- 3/8" x 4 1/2" Hex Bolt-	(4)
A-7- 3/8" Bolt Cup-	(4)
A-6- 3/8" 4- Prong T-Nut-	(4)
A-1- 3/8" Acorn Nut Plated-	(4)

Make 2 of These Assemblies



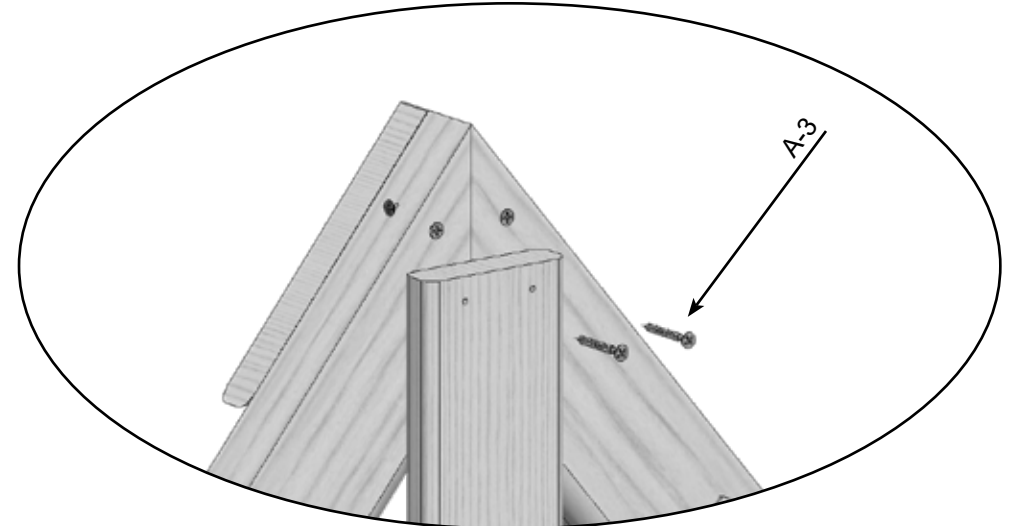
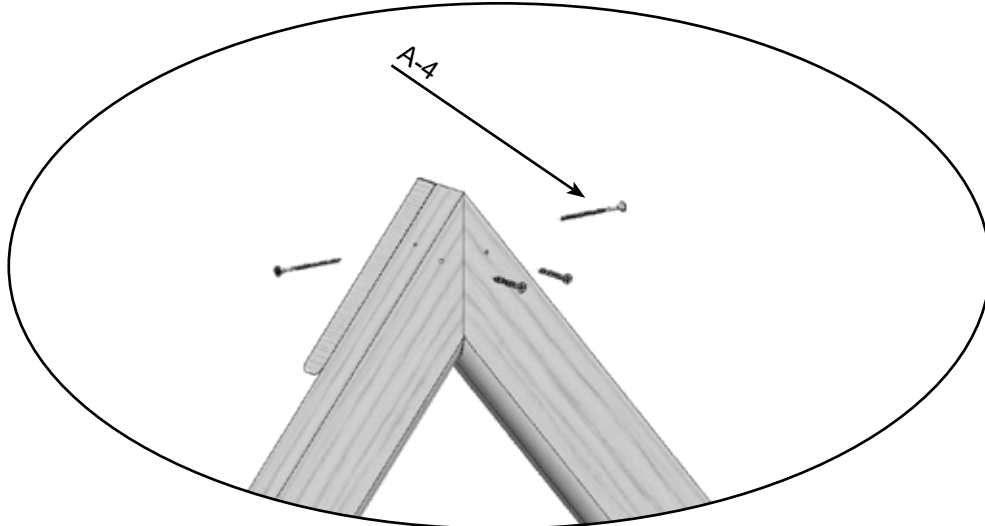
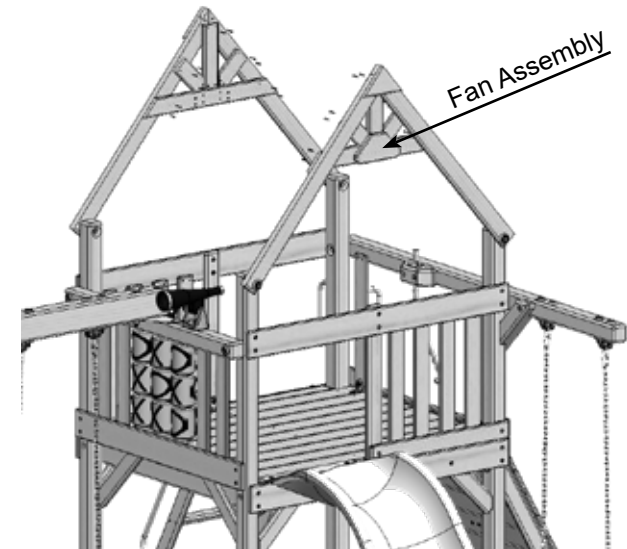
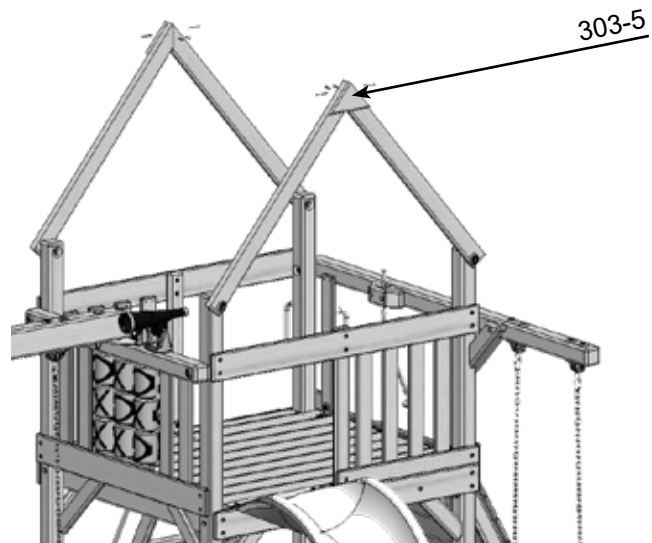
Parrot Island Fort Installation - Wood Roof Option

PARTS NEEDED

303-5- Peak Facia- (2)
Fan Assemblies- (2)

HARDWARE NEEDED

A-4- 2" Coated Deck Screw- (8)
A-3- 1 1/2" Coated Deck Screw- (20)



Parrot Island Fort Installation - Wood Roof Option

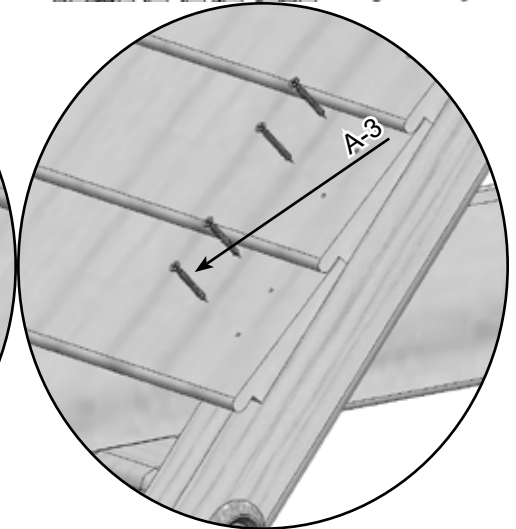
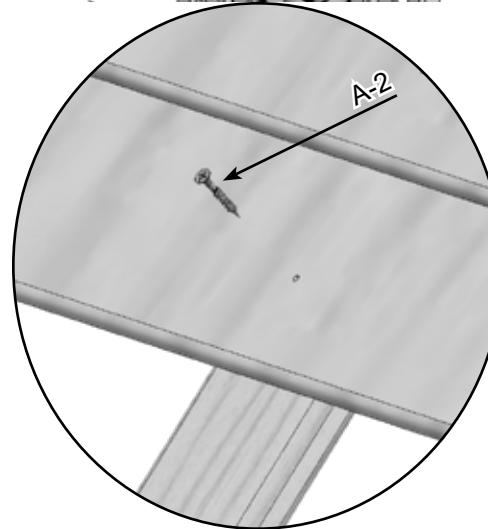
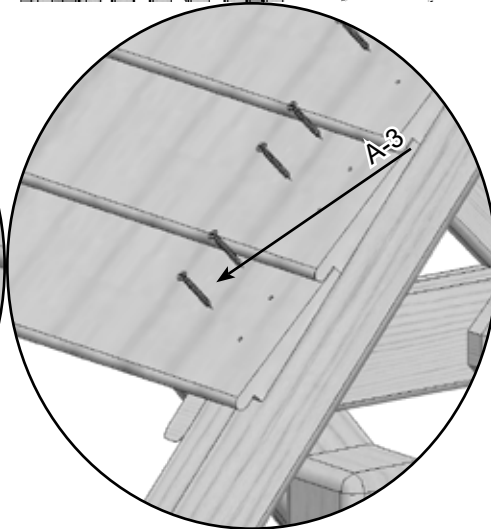
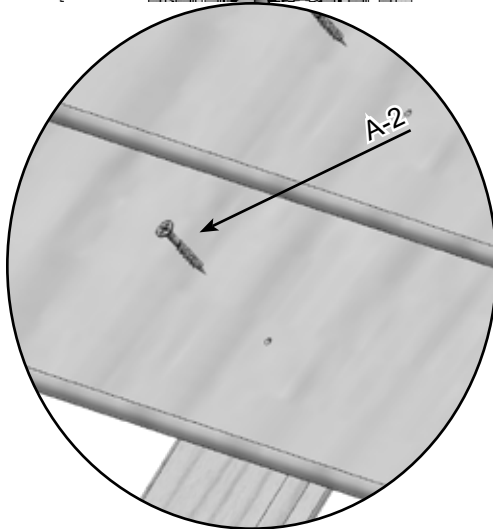
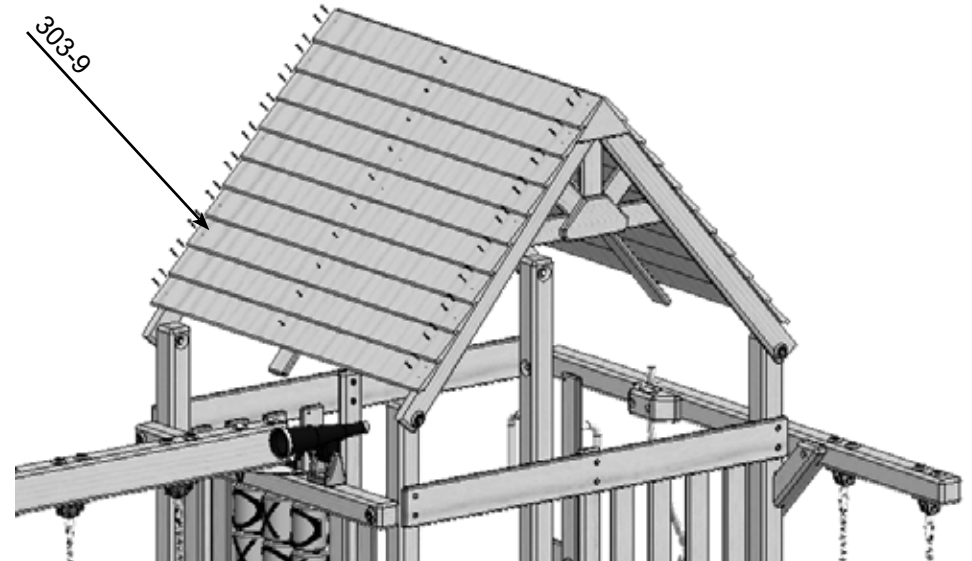
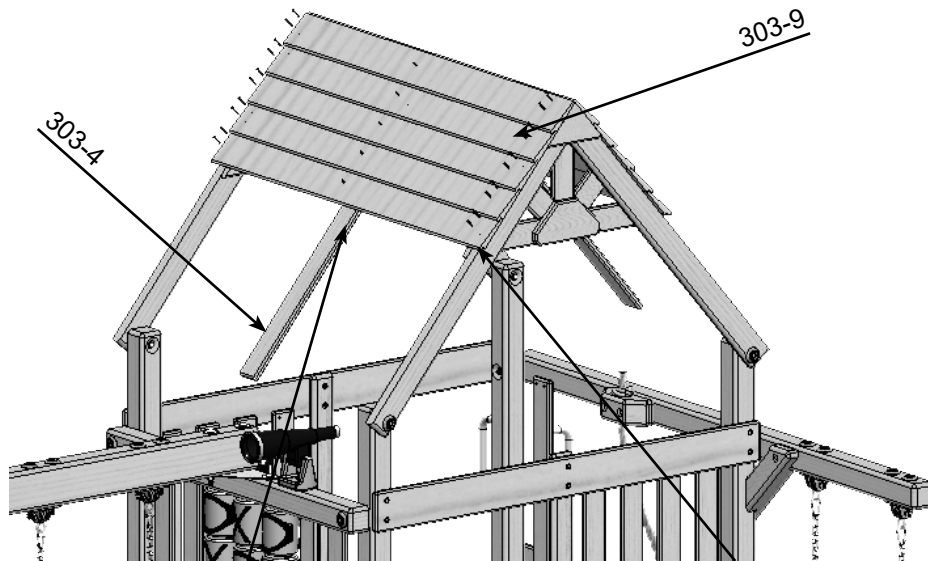
PARTS NEEDED

303-4- Wood Roof Center Support- (2)
303-9- Wood Roof Board- (20)

HARDWARE NEEDED

A-2- 1 1/4" Coated Deck Screw- (20)
A-3- 1 1/2" Coated Deck Screw- (80)

(Repeat for both sides of Wood Roof)



Parrot Island Fort Installation - Wood Roof Option

PARTS NEEDED

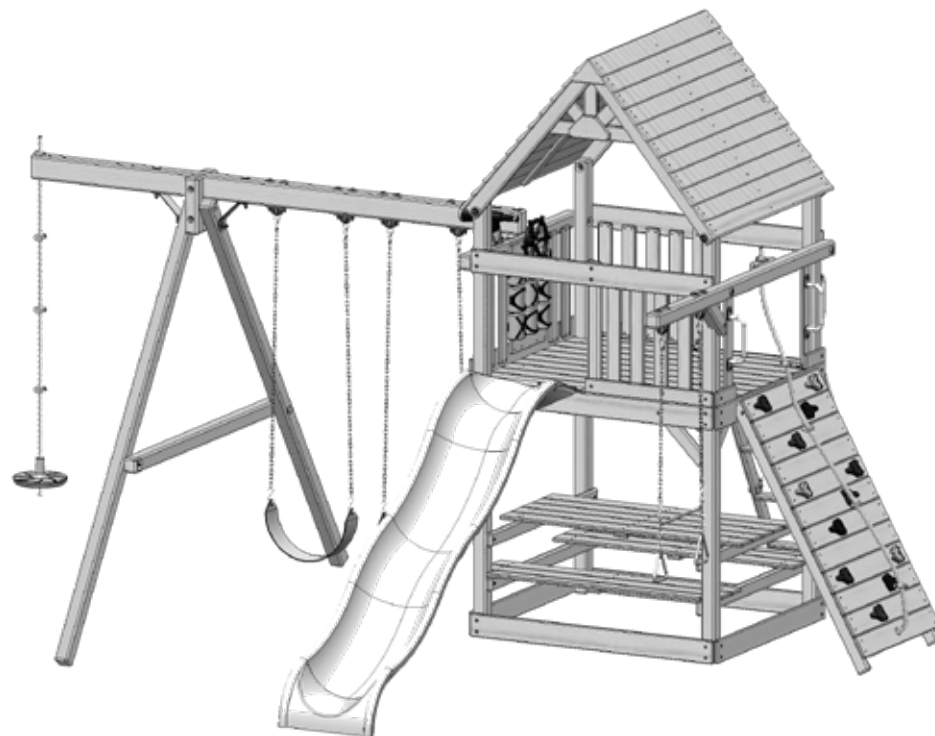
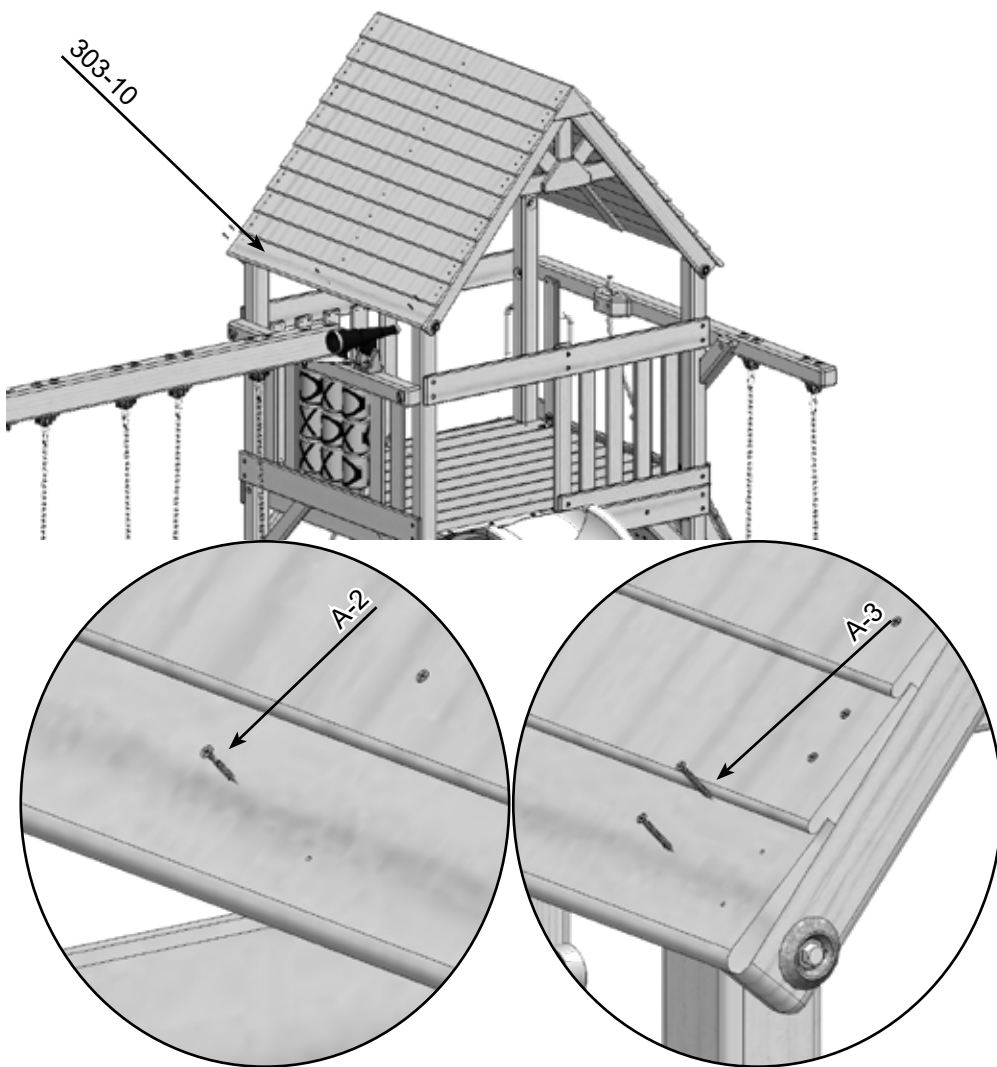
303-10- End Wood Roof Board- (2)

HARDWARE NEEDED

A-2- 1 1/4" Coated Deck Screw- (2)

A-3- 1 1/2" Coated Deck Screw- (8)

(Repeat for both sides of Wood Roof)



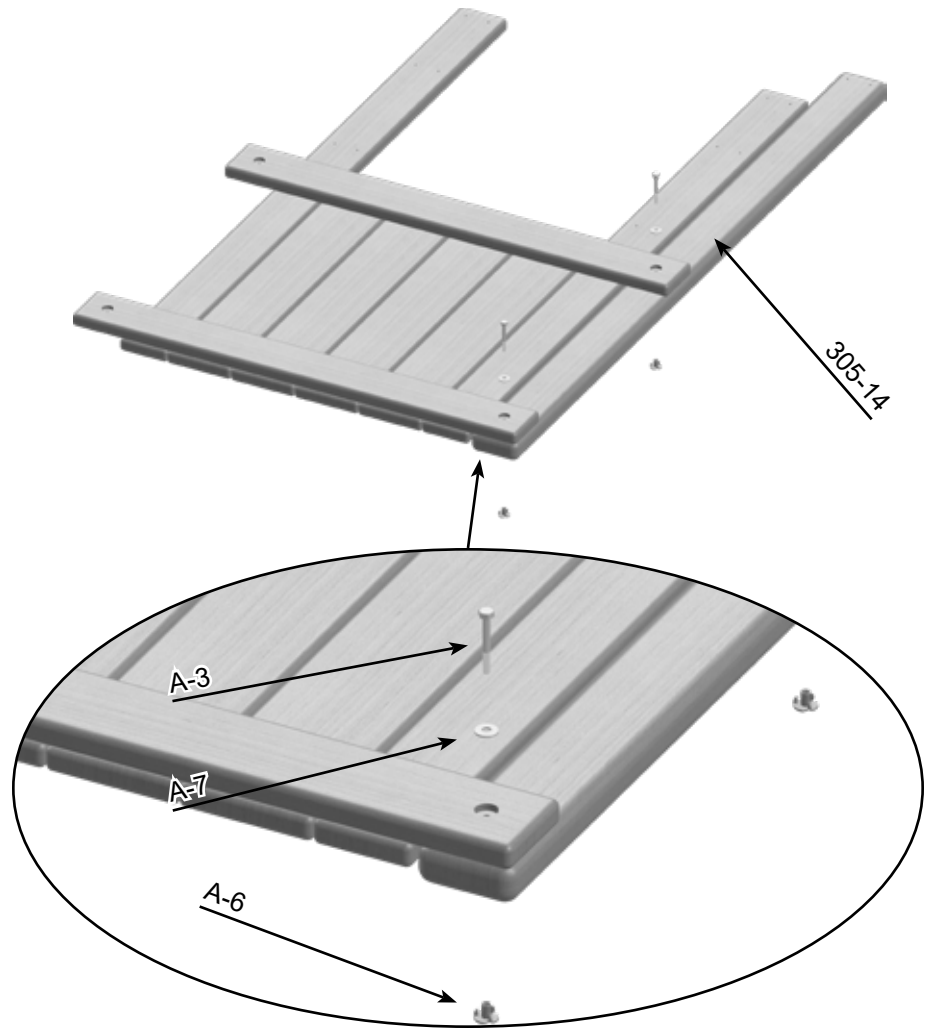
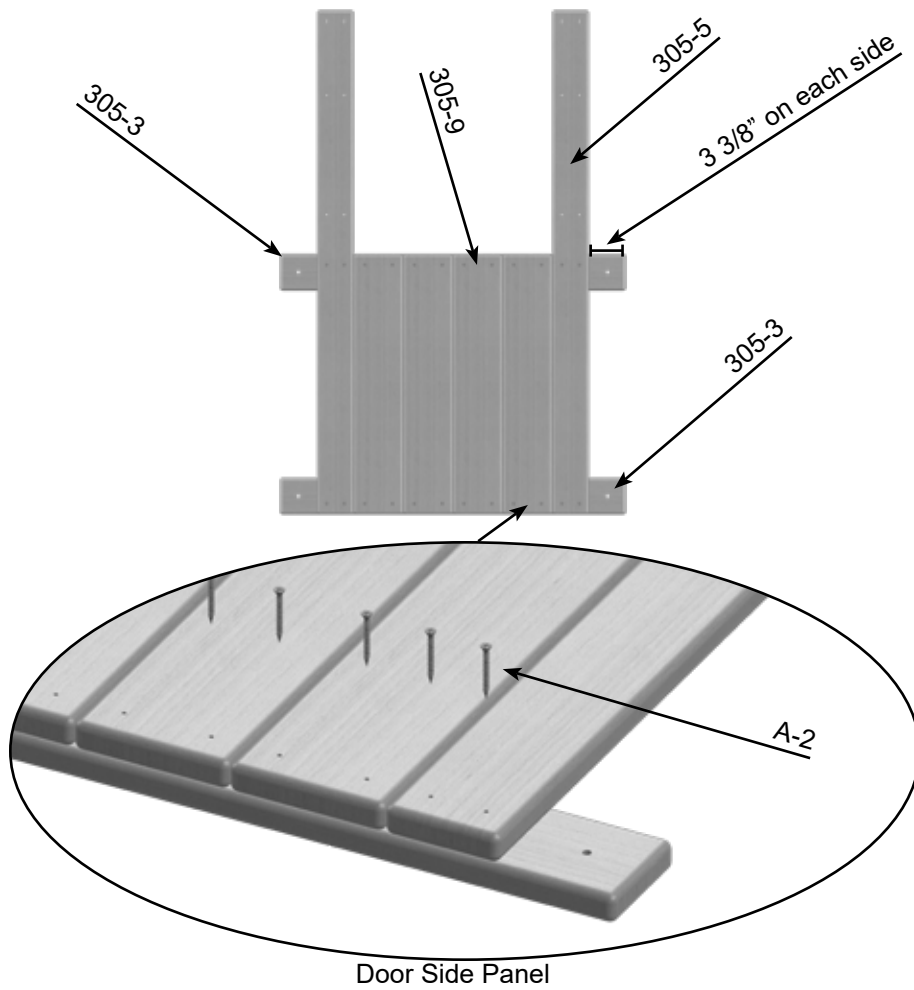
Parrot Island Fort Installation - Playhouse Panels Option

PARTS NEEDED

- 305-3- Door Side Facia- (2)
- 305-5- Panel Board #2- (2)
- 305-14- Center Panel Support- (1)

HARDWARE NEEDED

- A-2- 1 1/2" Coated Deck Screw- (24)
- A-3- 1/4" x 2" Hex Bolt- (2)
- A-6- 1/4" 4-Prong T-Nut- (2)
- A-7- 1/4" USS Flatwasher- (2)



Parrot Island Fort Installation - Playhouse Panels Option

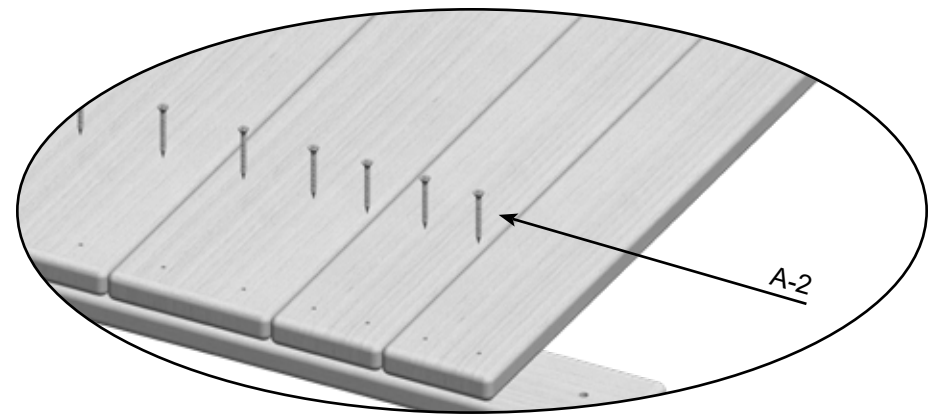
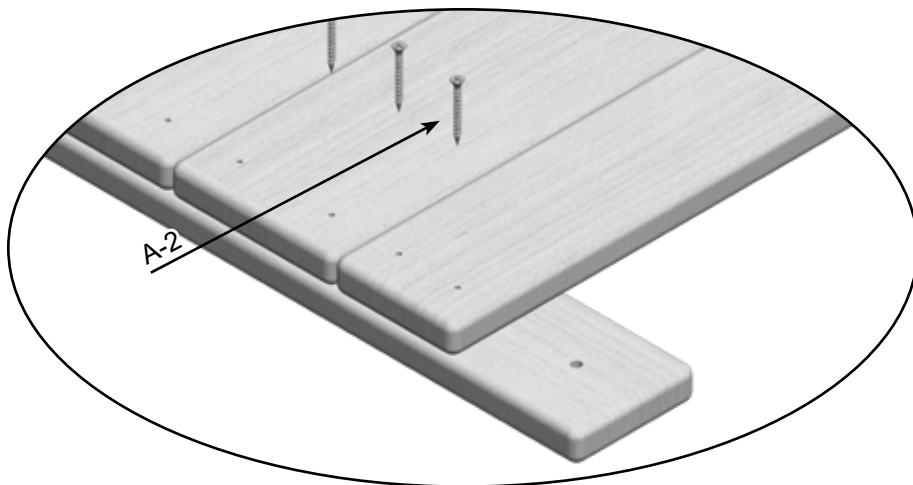
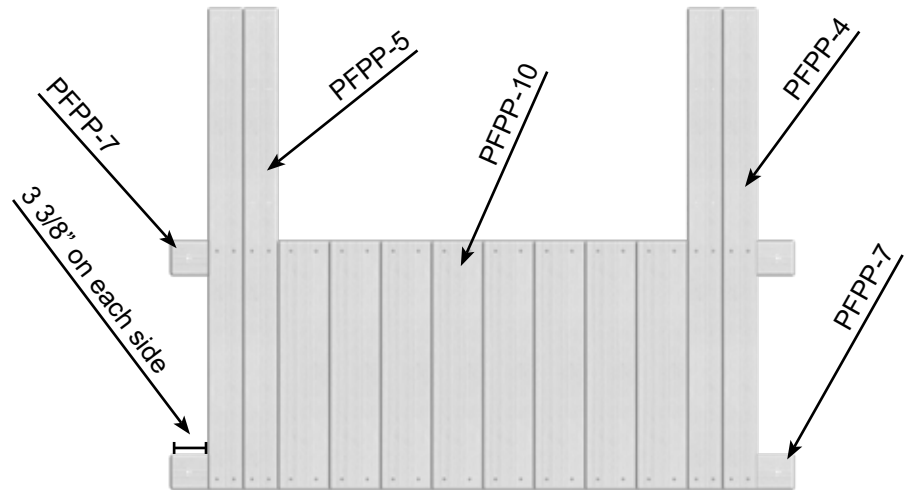
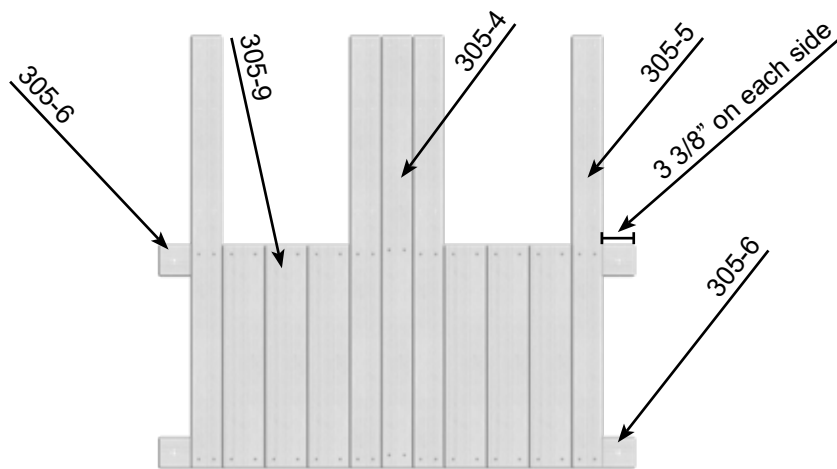
PARTS NEEDED

- | | | | |
|--------------------------------|-----|-------------------------|-----|
| 305-4- Panel Board #1- | (4) | 305-5- Panel Board #2- | (4) |
| 305-6- Panel Facia- | (4) | 305-9- Panel Board #3- | (4) |
| 305-7- Store Side Panel Facia- | (2) | 305-10- Panel Board #4- | (4) |

HARDWARE NEEDED

- | | | |
|------|--------------------------------|-------|
| (10) | A-2- 1 1/2" Coated Deck Screw- | (136) |
| (12) | | |
| (8) | | |

Make 2 of these Assemblies-Swingbeam & Rockwall Side Panels



Store Side Panel

Parrot Island Fort Installation - Playhouse Panels Option

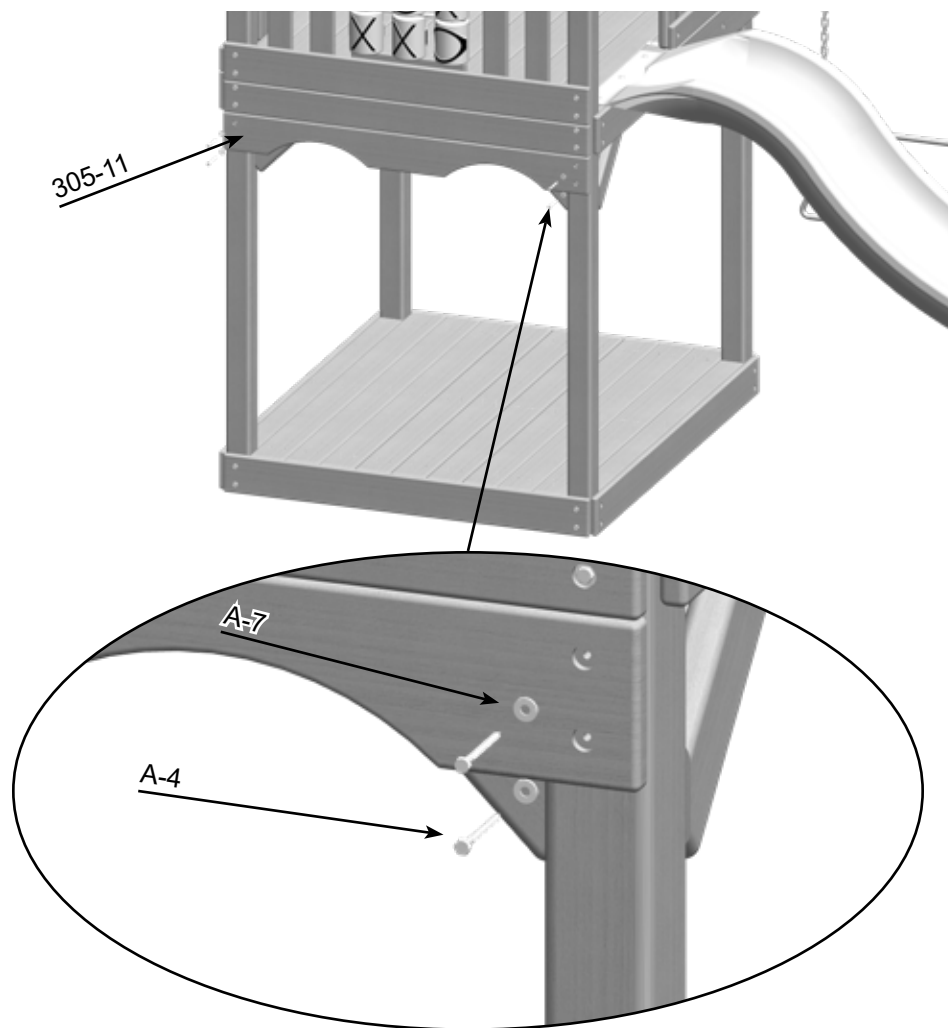
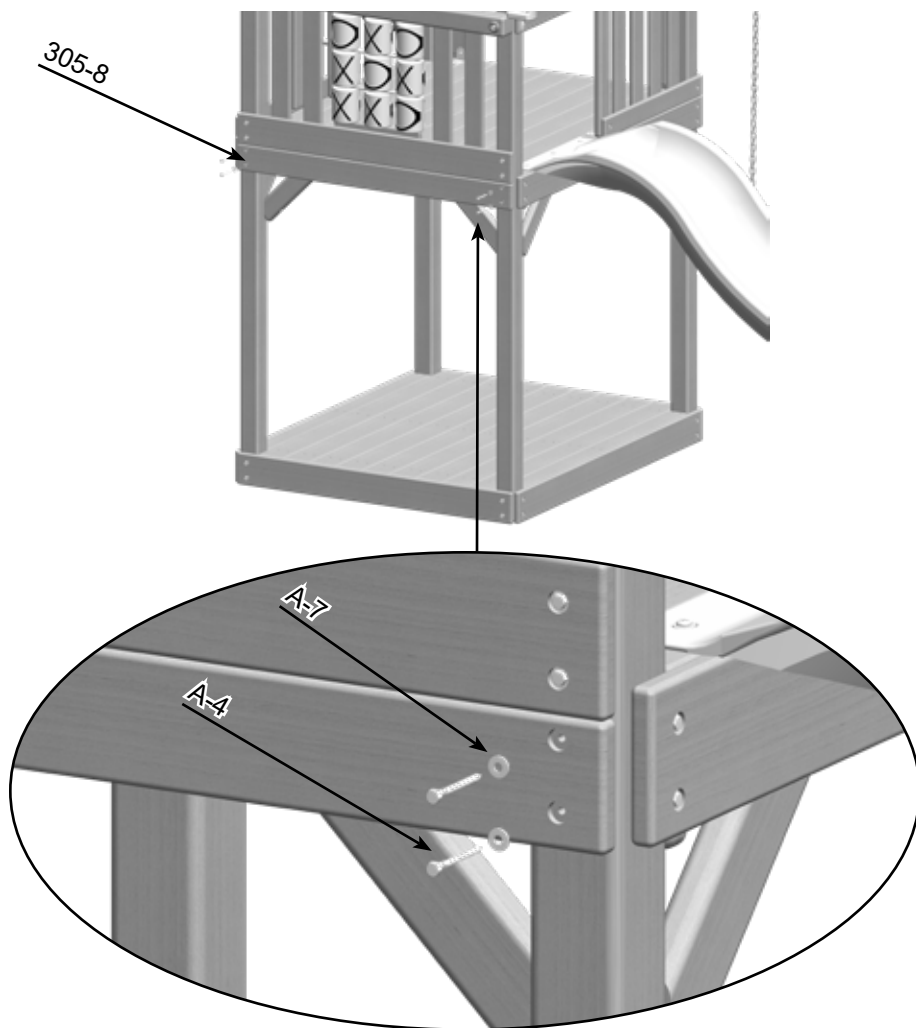
PARTS NEEDED

- 305-8- Upper Swingbeam Side Facia- (1)
- 305-11- Panel Arch- (1)

HARDWARE NEEDED

- A-7- 1/4" USS Flatwasher- (8)
- A-4- 1/4" x 3" Hex Lag Screw- (8)

(Remove All Gussets First)



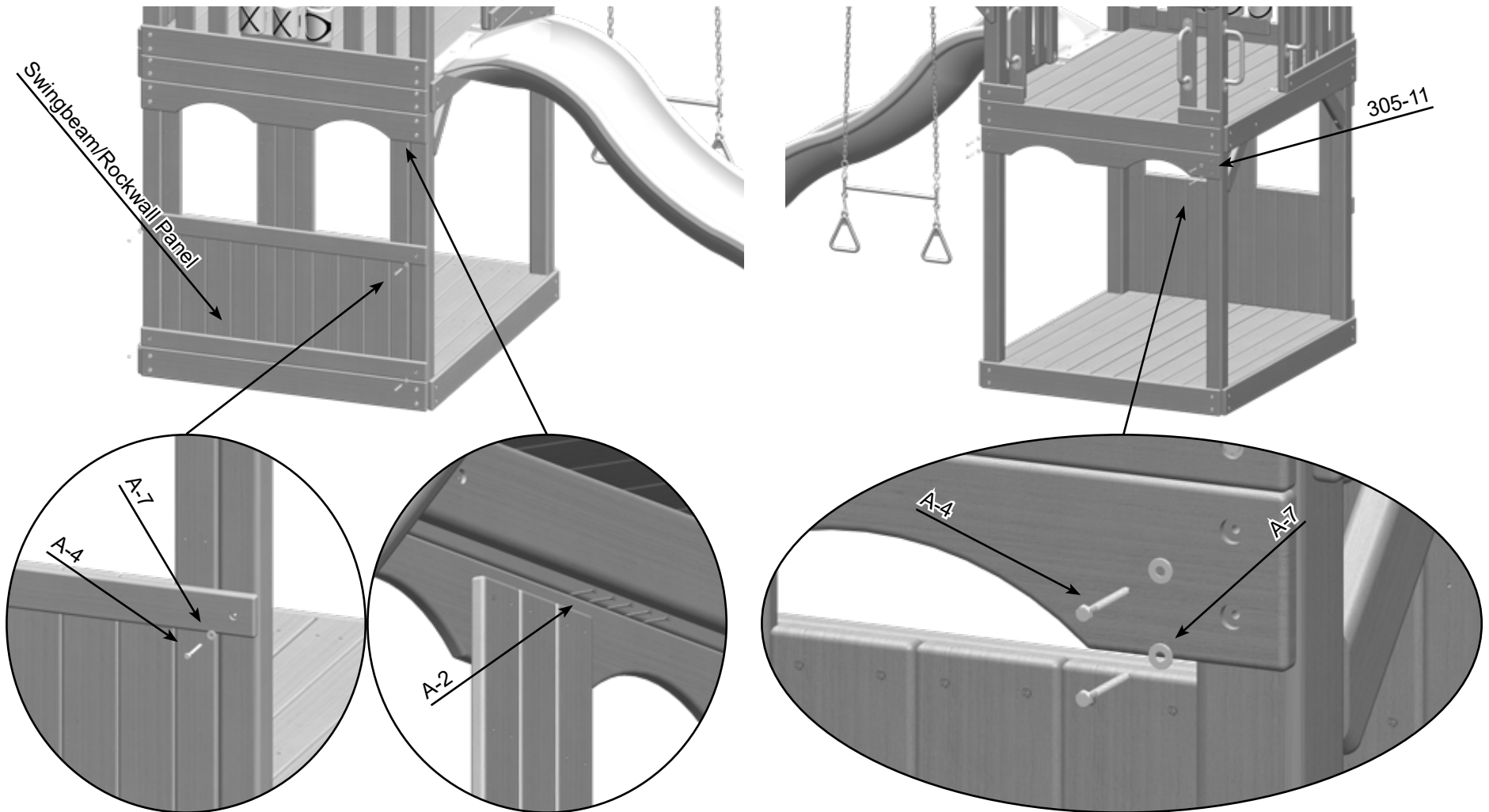
Parrot Island Fort Installation - Playhouse Panels Option

PARTS NEEDED

- Swingbeam/ Rockwall Side Panel- (1)
- 305-11- Panel Arch- (1)

HARDWARE NEEDED

- A-7- 1/4" USS Flatwasher- (8)
- A-2- 1 1/2" Coated Deck Screw- (10)
- A-4- 1/4" x 3" Hex Lag Screw- (8)



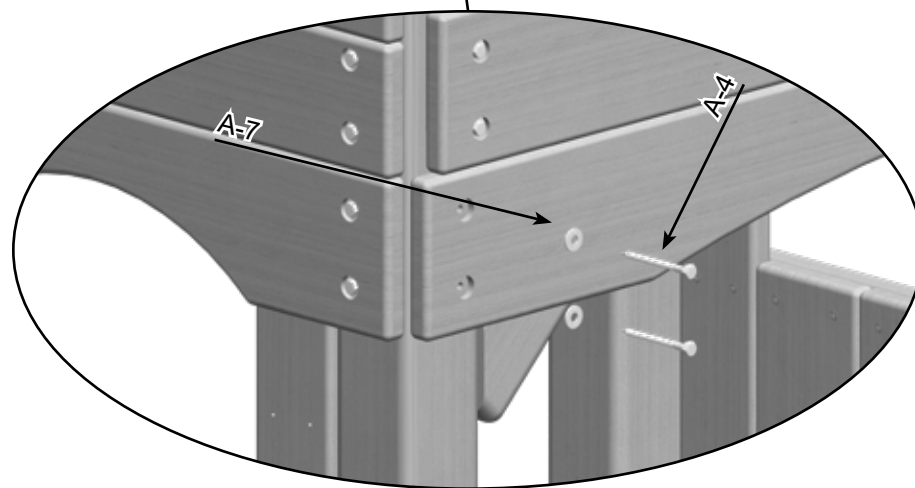
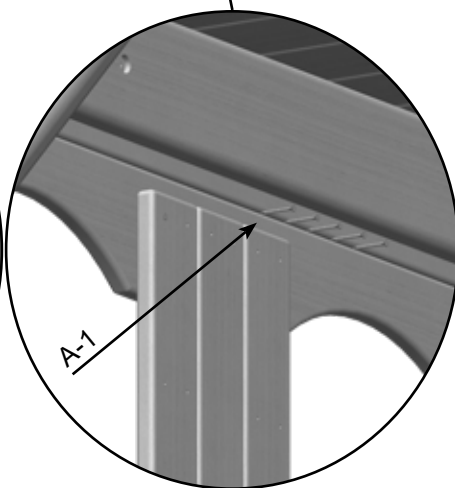
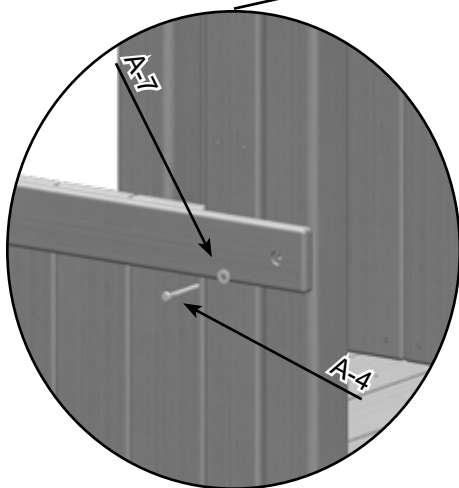
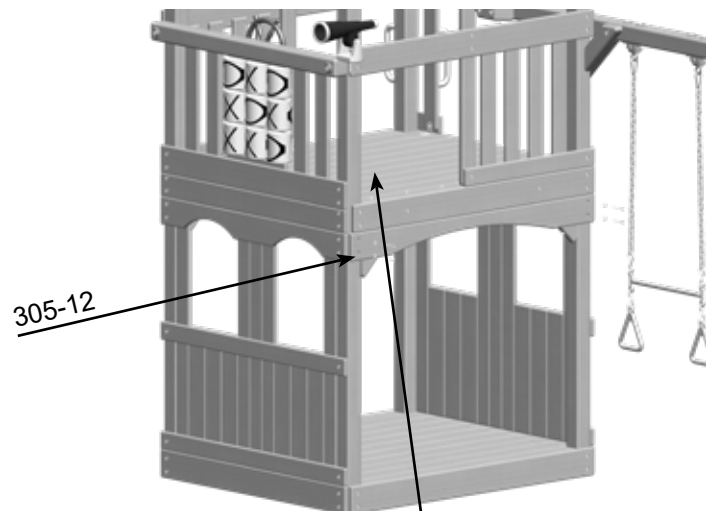
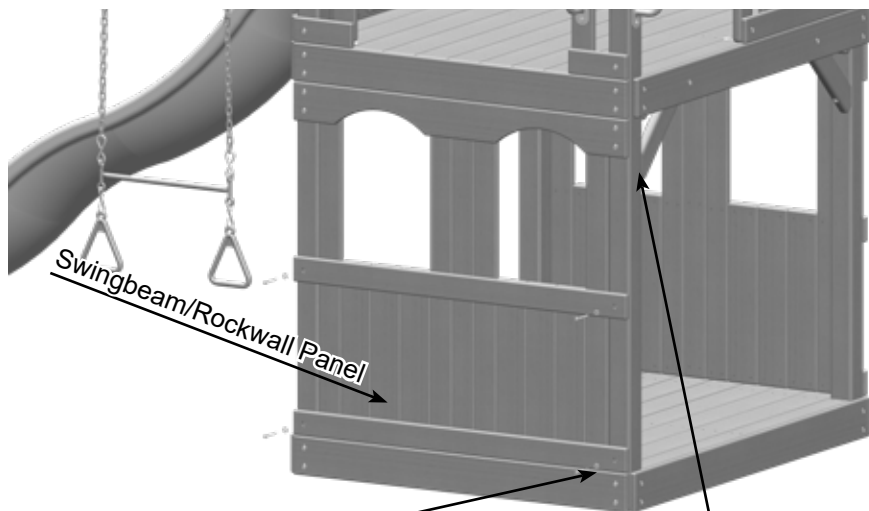
Parrot Island Fort Installation - Playhouse Panels Option

PARTS NEEDED

Swingbeam/ Rockwall Side Panel- (1)
305-12- Store Side Arch- (1)

HARDWARE NEEDED

A-7- 1/4" USS Flatwasher- (8)
A-4- 1/4" x 3" Hex Lag Screw- (8)
A-2- 1 1/2" Coated Deck Screw- (10)



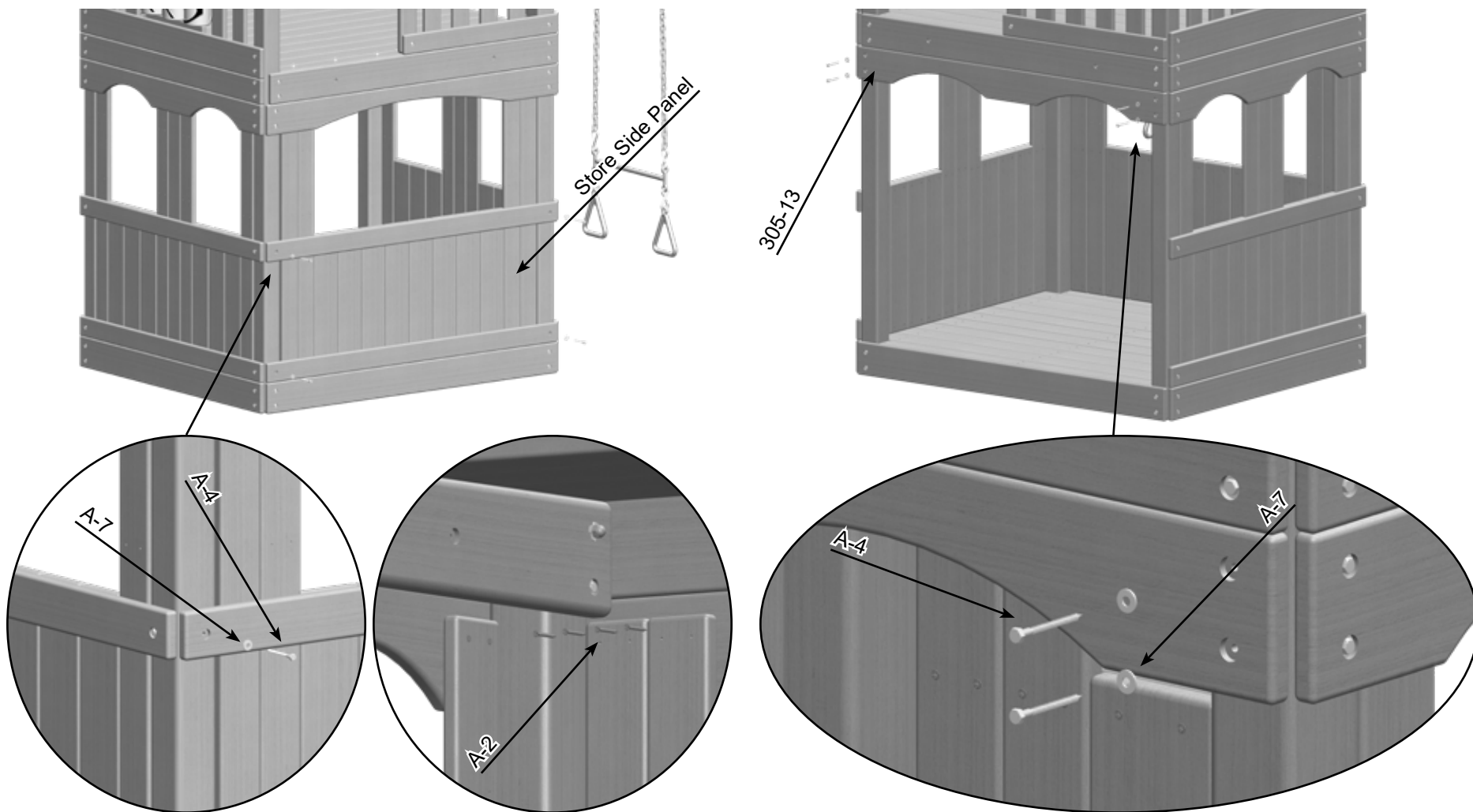
Parrot Island Fort Installation - Playhouse Panels Option

PARTS NEEDED

Store Side Panel- (1)
305-13- Door Side Arches- (1)

HARDWARE NEEDED

A-7- 1/4" USS Flatwasher- (8)
A-4- 1/4" x 3" Hex Lag Screw- (8)
A-2- 1 1/2" Coated Deck Screw- (8)



Parrot Island Fort Installation - Playhouse Panels Option

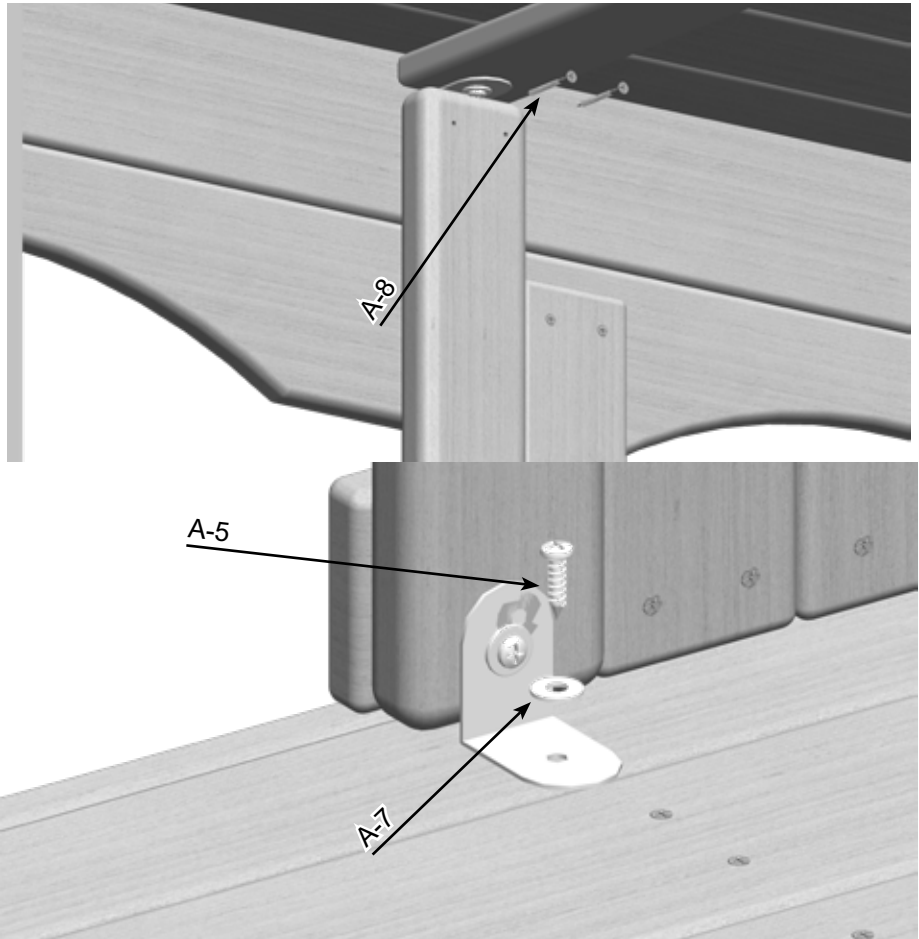
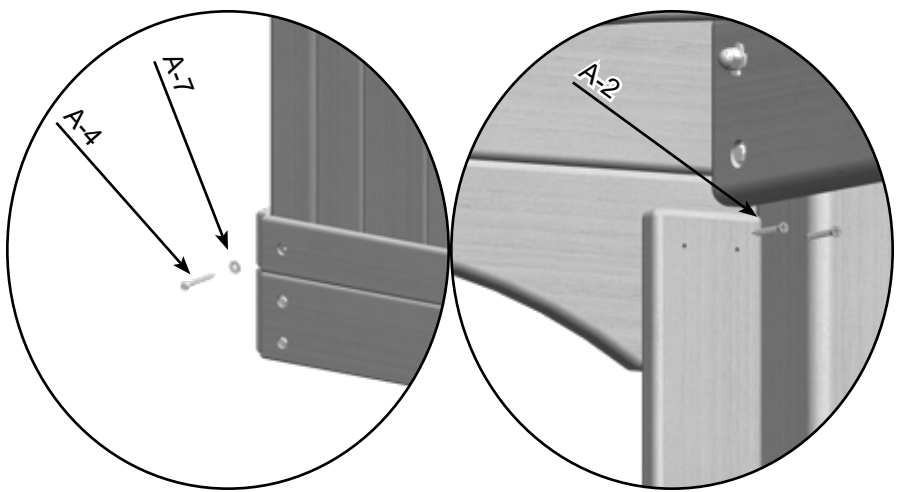
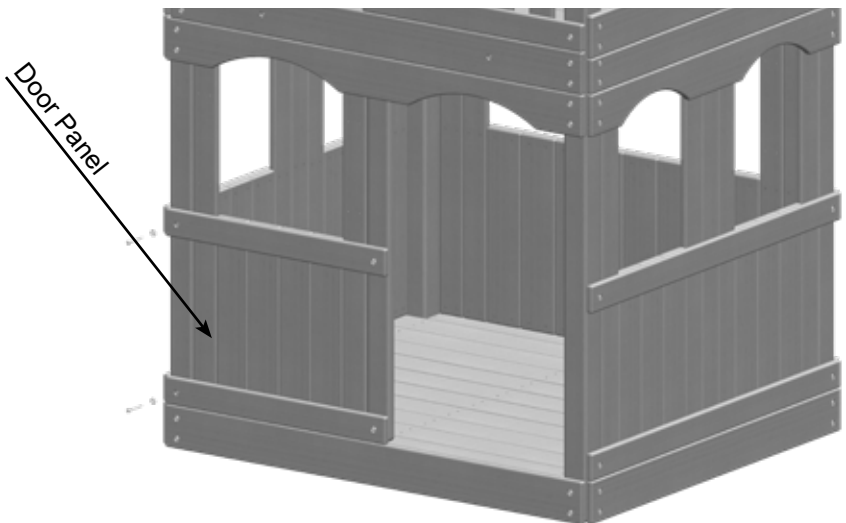
PARTS NEEDED

Door Panel- (1)

HARDWARE NEEDED

- A-7- 1/4" USS Flatwasher- (6)
- A-4- 1/4" x 3" Hex Lag Screw- (4)
- A-2- 1 1/2" Coated Deck Screw- (4)
- A-5- #14 x 1" Pan Phillips T/S- (2)
- A-8- 2" Coated Deck Screw- (2)

After Lagging In the Door Side Panel



Parrot Island Fort Installation - Playhouse Panels Option

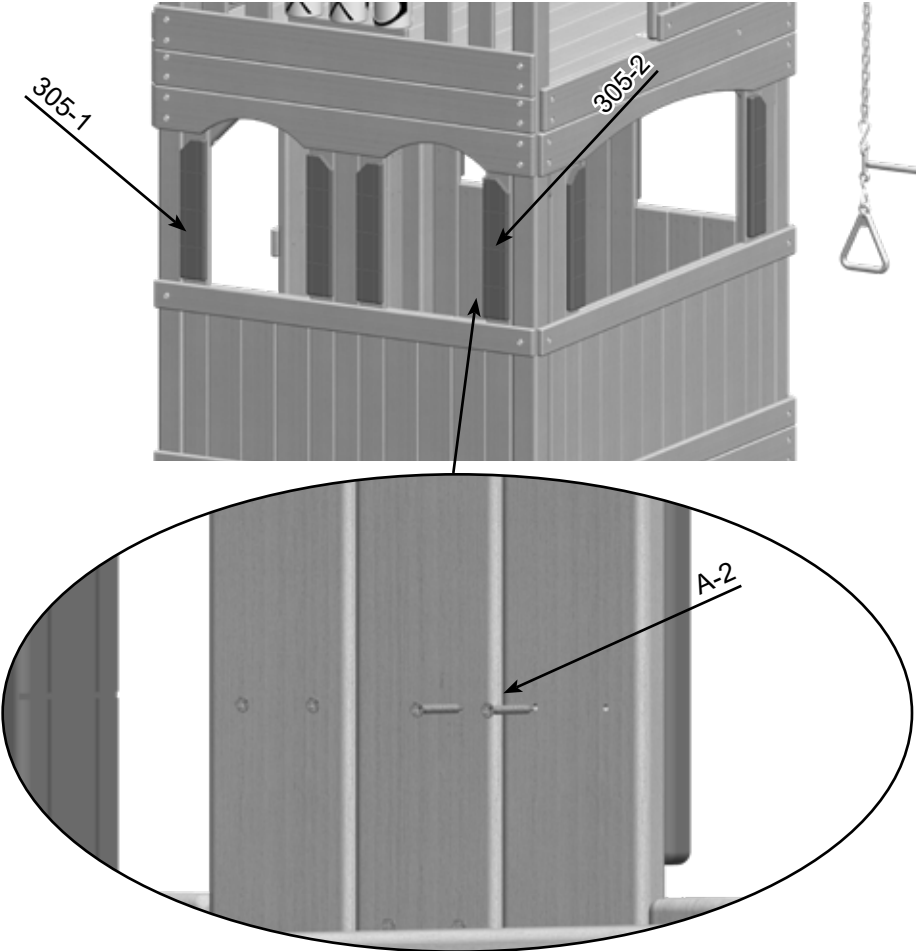
PARTS NEEDED

- 305-1- Left Window Shutter- (6)
- 305-2- Right Window Shutter- (6)
- Shutter-305-15- Store Board- (1)

HARDWARE NEEDED

- A-2- 1 1/2" Coated Deck Screw- (48)

Screw the Shutters on from the Inside



Parrot Island Fort Installation - Treehouse Panels Option

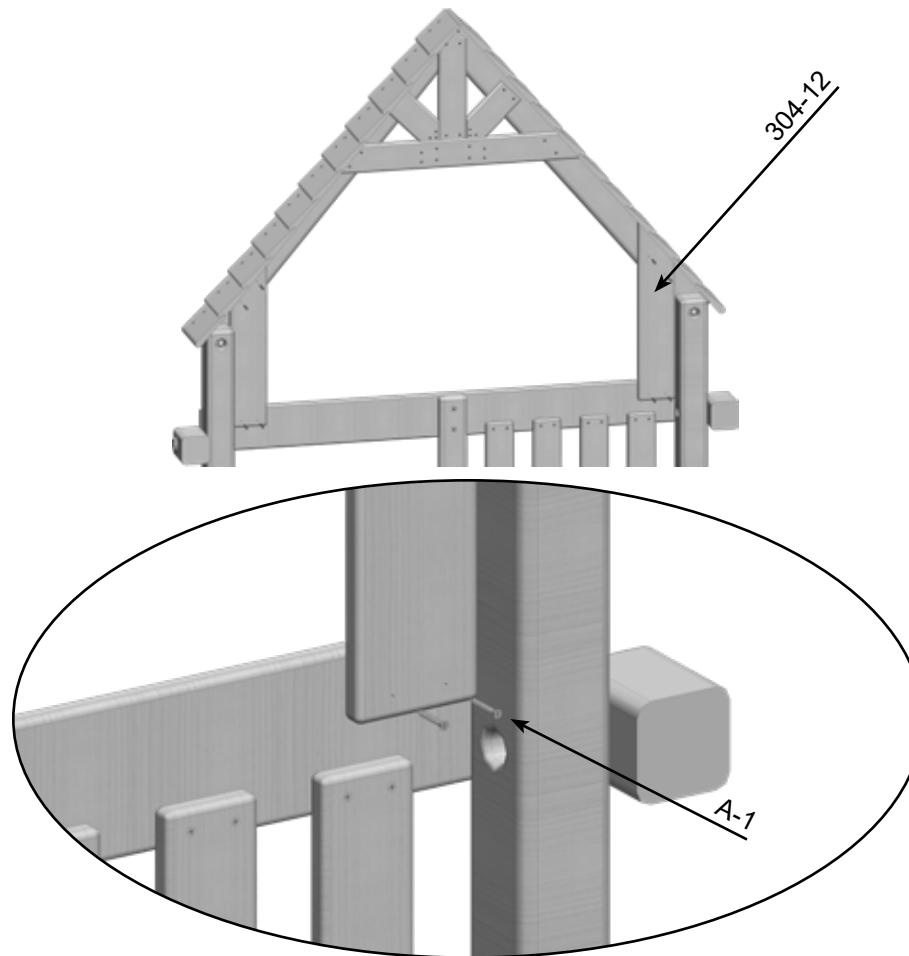
PARTS NEEDED

304-12- Right Upper Board- (4)

HARDWARE NEEDED

A-1- 1 1/2" Coated Deck Screw- (16)

Repeat for Both Sides of the Unit



Parrot Island Fort Installation - Treehouse Panels Option

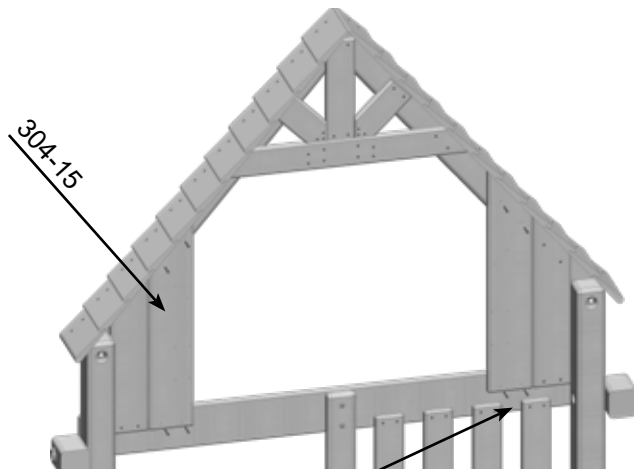
PARTS NEEDED

304-15- Right Upper Board- (4)
304-5- Right Angle Board- (4)

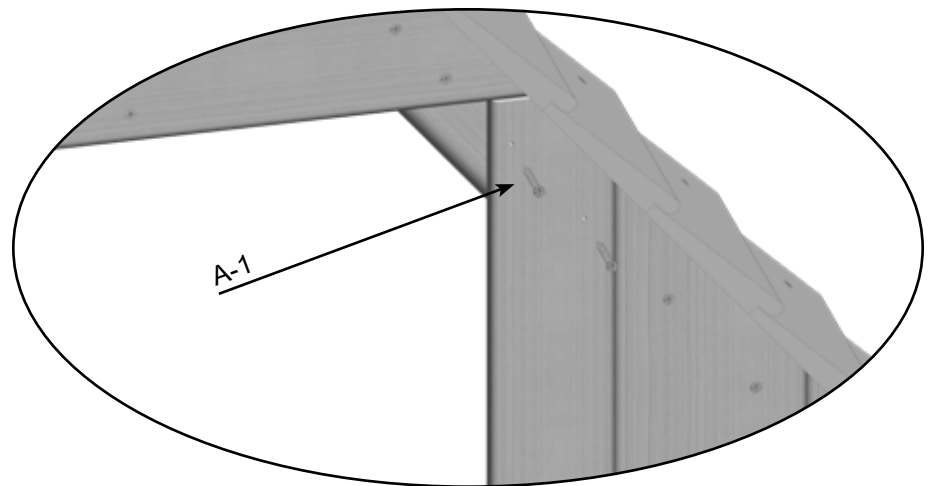
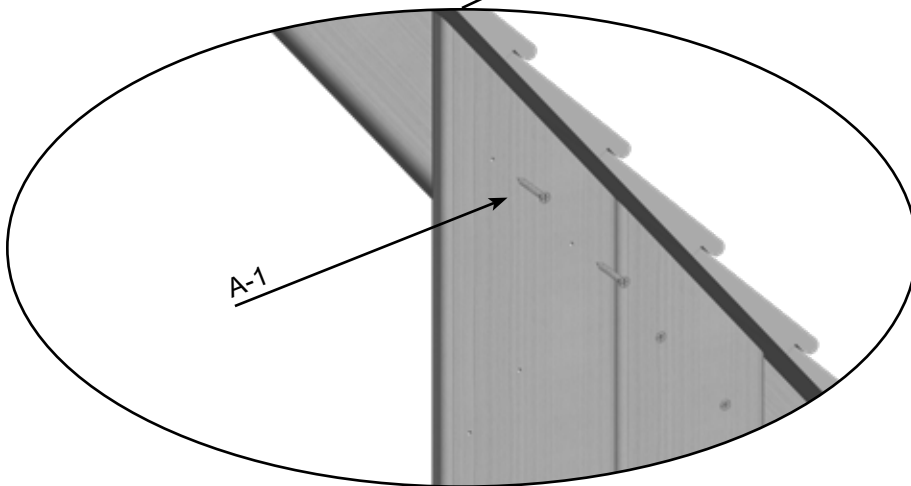
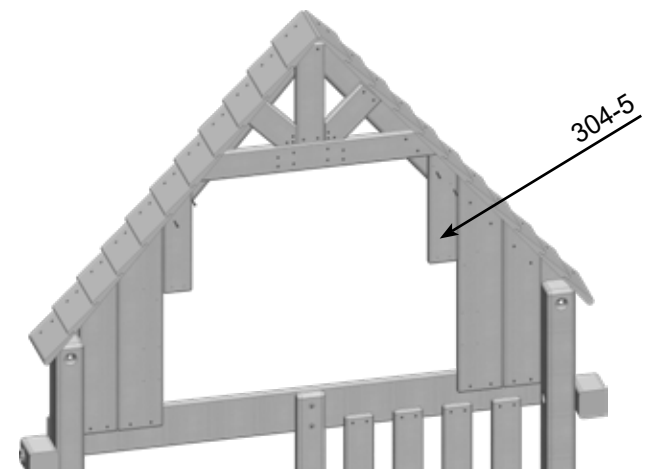
HARDWARE NEEDED

A-1- 1 1/2" Coated Deck Screw- (32)

Repeat for Both Sides of Unit



Repeat for Both Sides of Unit



Parrot Island Fort Installation - Treehouse Panels Option

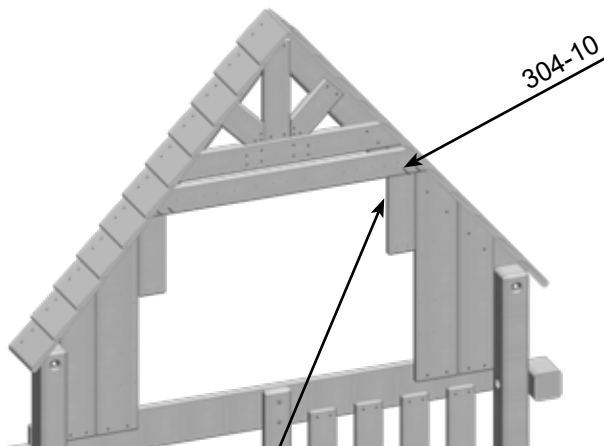
PARTS NEEDED

304-10- Upper Back Board- (2)
304-6- Right Short Upper Board- (8)

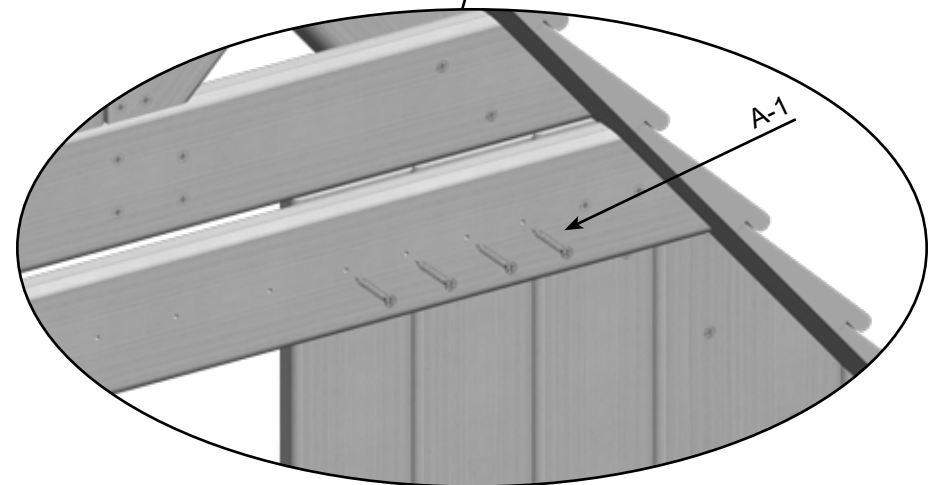
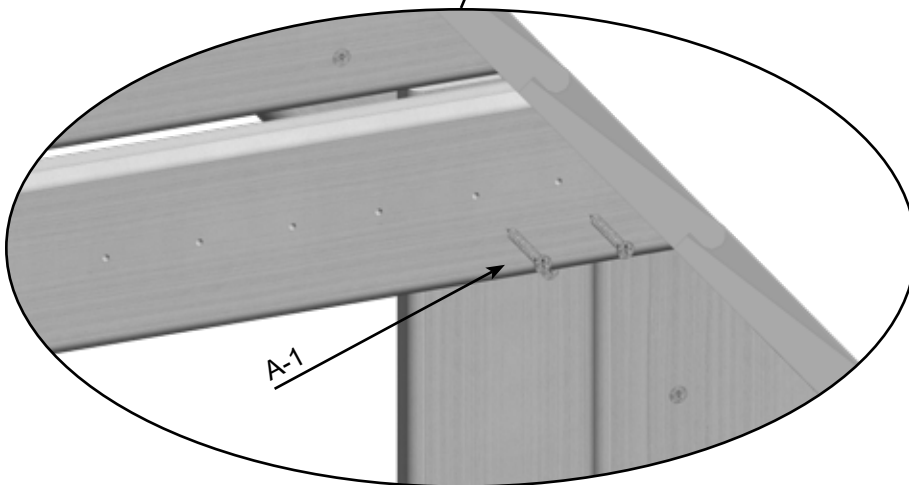
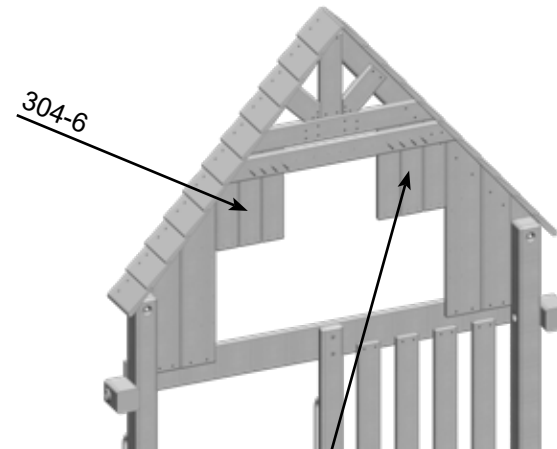
HARDWARE NEEDED

A-1- 1 1/2" Coated Deck Screw- (24)

Repeat for Both Sides of Unit



Repeat for Both Sides of Unit



Parrot Island Fort Installation - Treehouse Panels Option

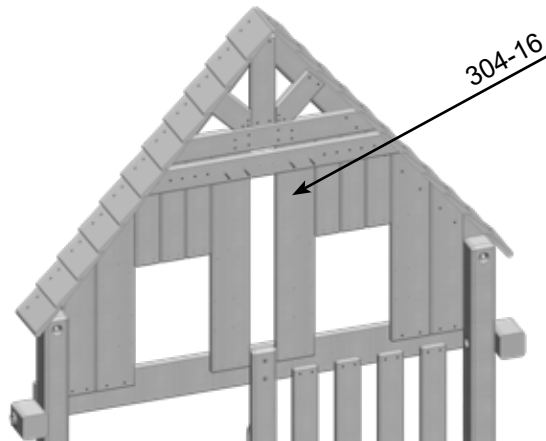
PARTS NEEDED

304-16- Large Right Upper Board- (4)
304-9- Center Board- (2)

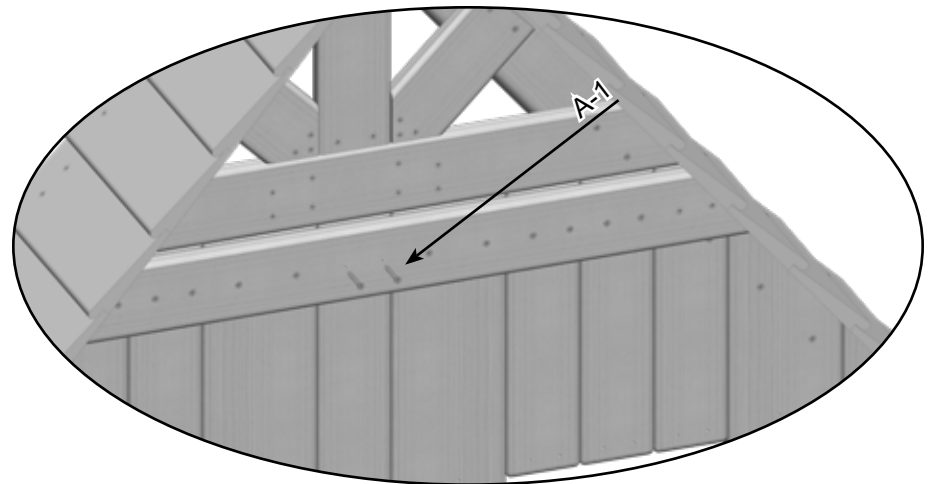
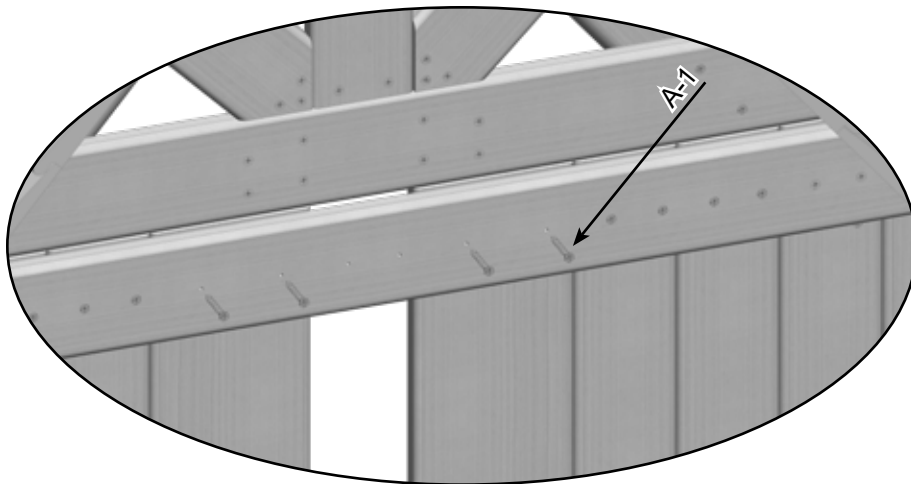
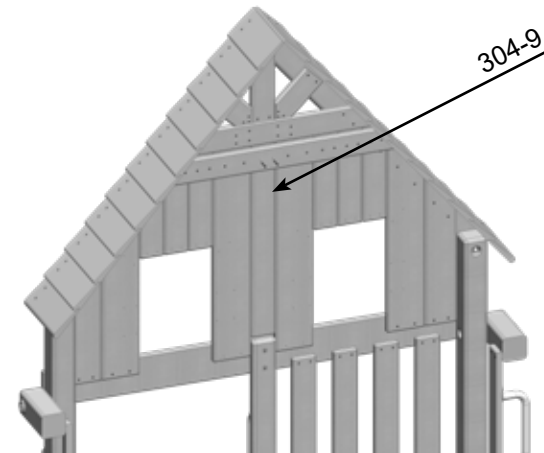
HARDWARE NEEDED

A-1- 1 1/2" Coated Deck Screw- (20)

Repeat for Both Sides of Unit



Repeat for Both Sides of Unit



Parrot Island Fort Installation - Treehouse Panels Option

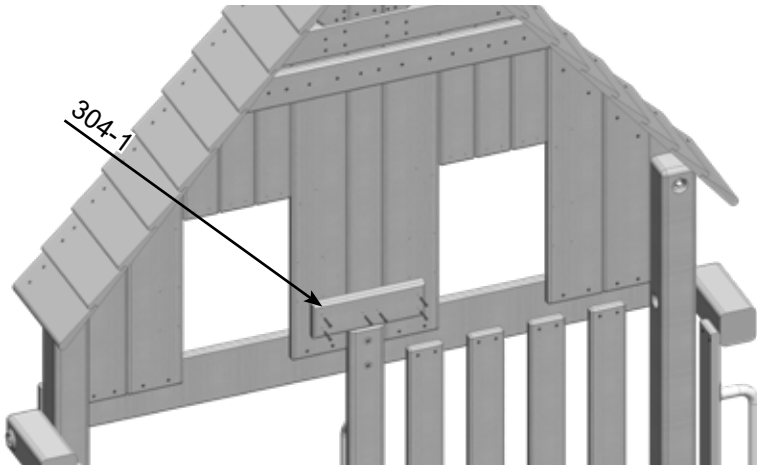
PARTS NEEDED

304-1- Upper Short Board- (2)
304-7- Window Arch- (4)

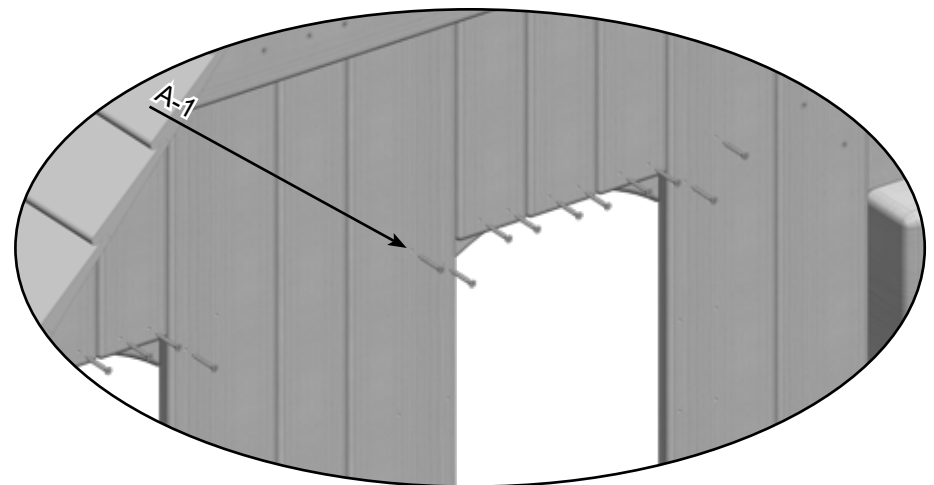
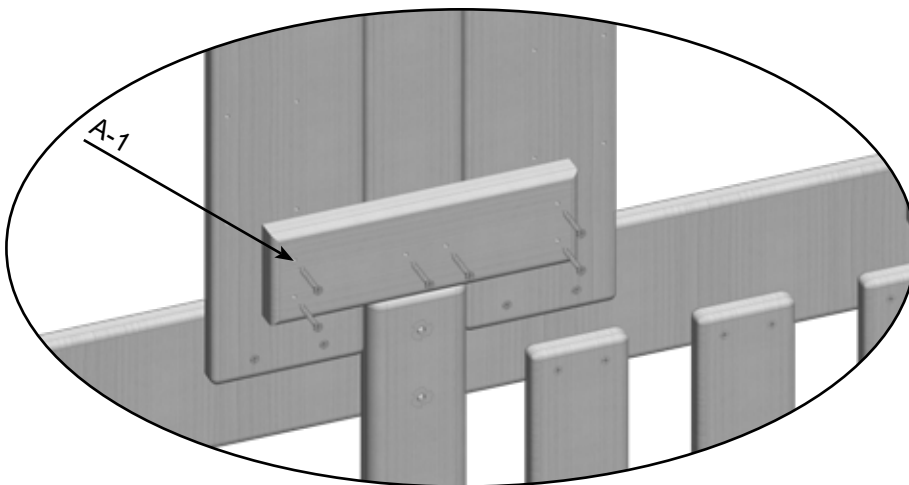
HARDWARE NEEDED

A-1- 1 1/2" Coated Deck Screw- (52)

Repeat for Both Sides of Unit



Repeat for Both Sides of Unit



Parrot Island Fort Installation - Treehouse Panels Option

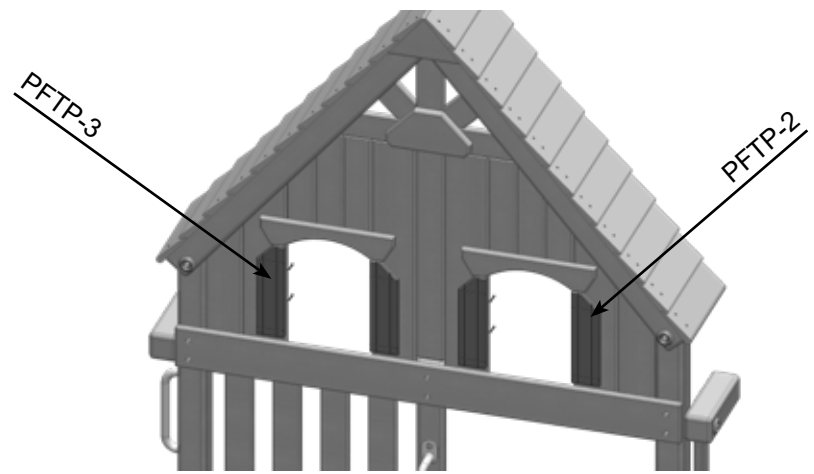
PARTS NEEDED

- 304-3- Left Window Shutter- (4)
- 304-2- Right Window Shutter- (4)
- 304-8- Spindles- (4)
- 304-13- Upper Side Board- (2)

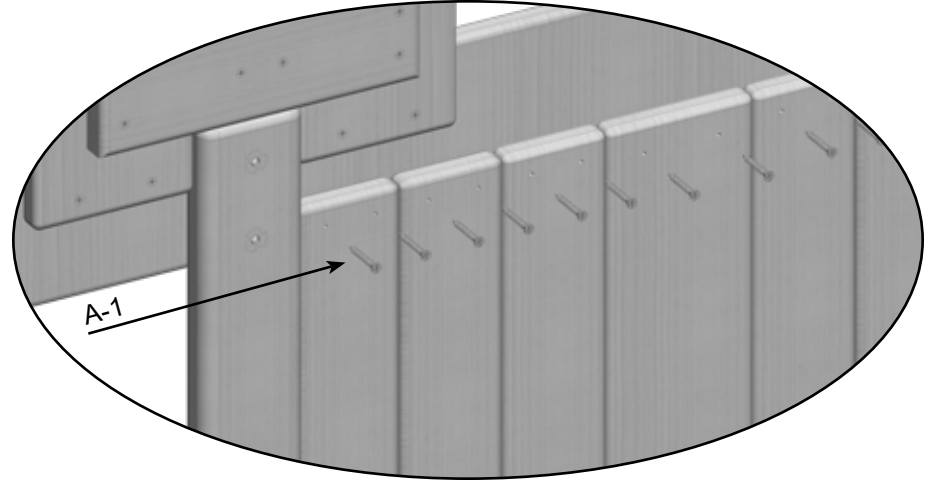
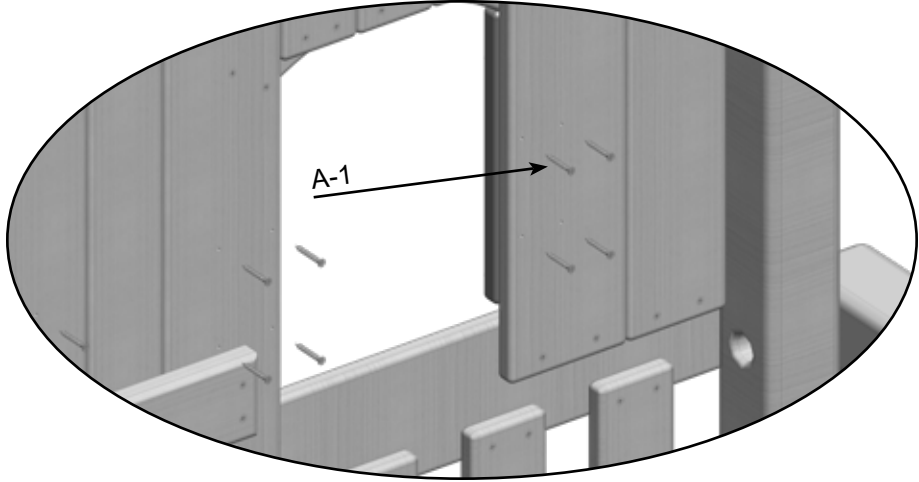
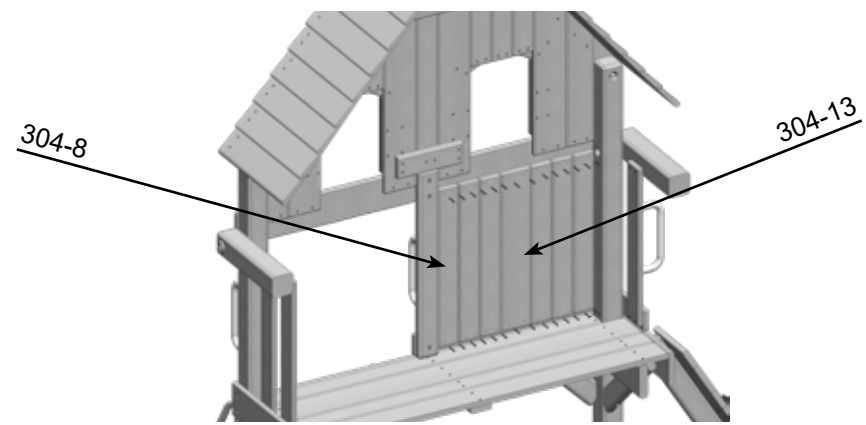
HARDWARE NEEDED

- A-1- 1 1/2" Coated Deck Screw- (60)

Repeat for Both Sides of Unit



For this step we are going to add 304-8's & 304-13's to the existing Pickets, to fill in the gaps. (Repeat for other side opening.)



Parrot Island Fort Installation - Treehouse Panels Option

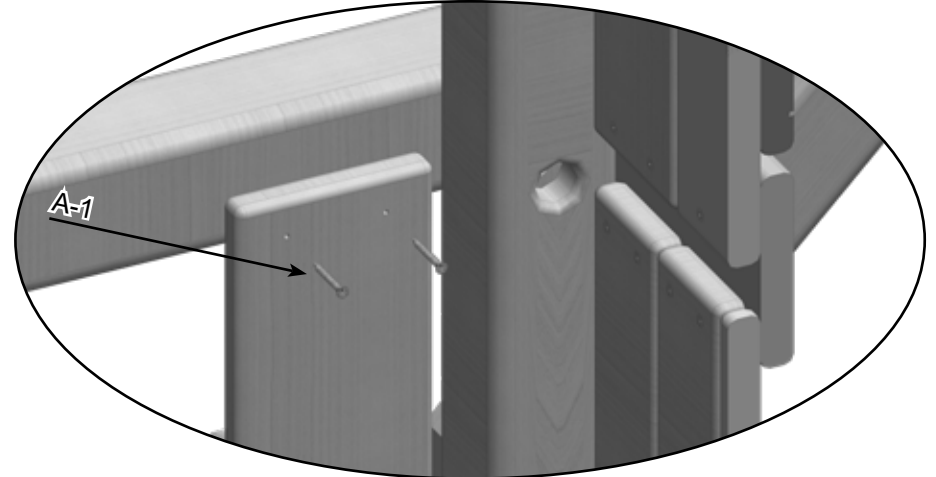
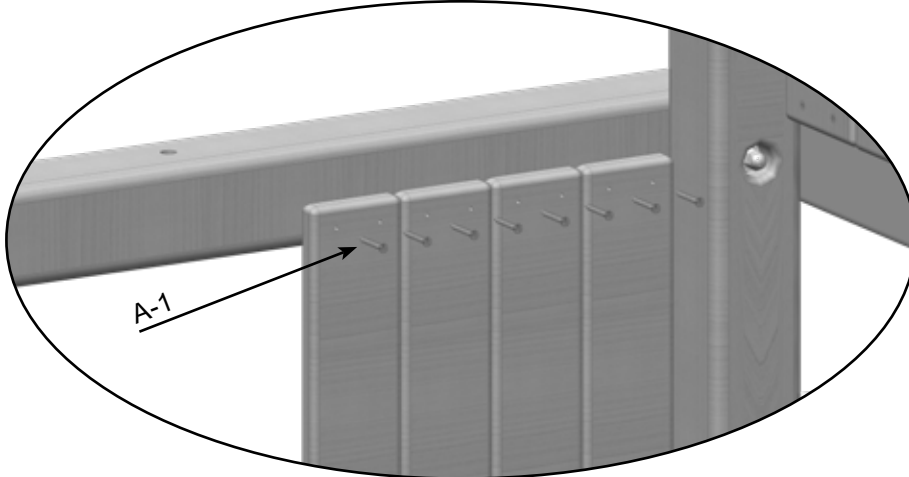
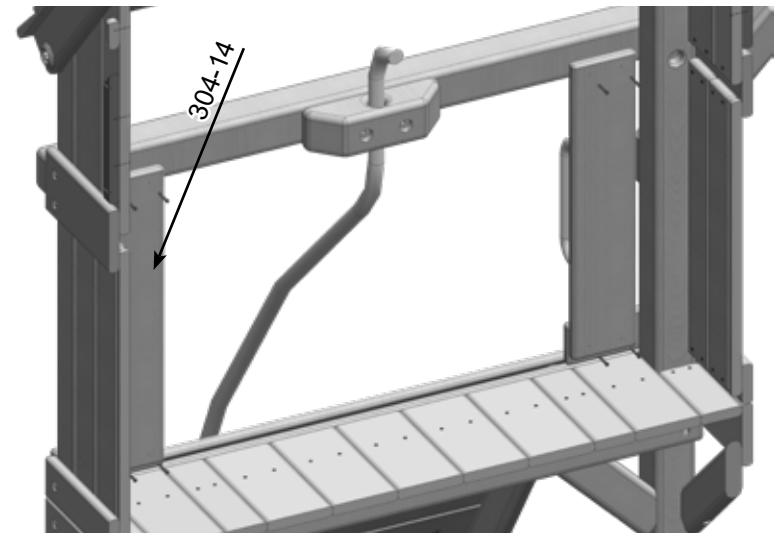
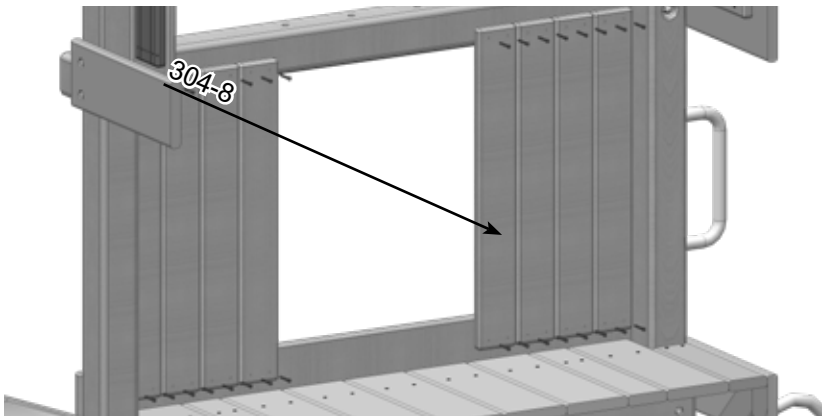
PARTS NEEDED

304-8- Spindles- (4)
304-14- Upper Side Board- (2)

HARDWARE NEEDED

A-1- 1 1/2" Coated Deck Screw- (24)

Here we do the same thing, use the 304-8's to fill in what we dont have already.



Parrot Island Fort Installation - Treehouse Panels Option

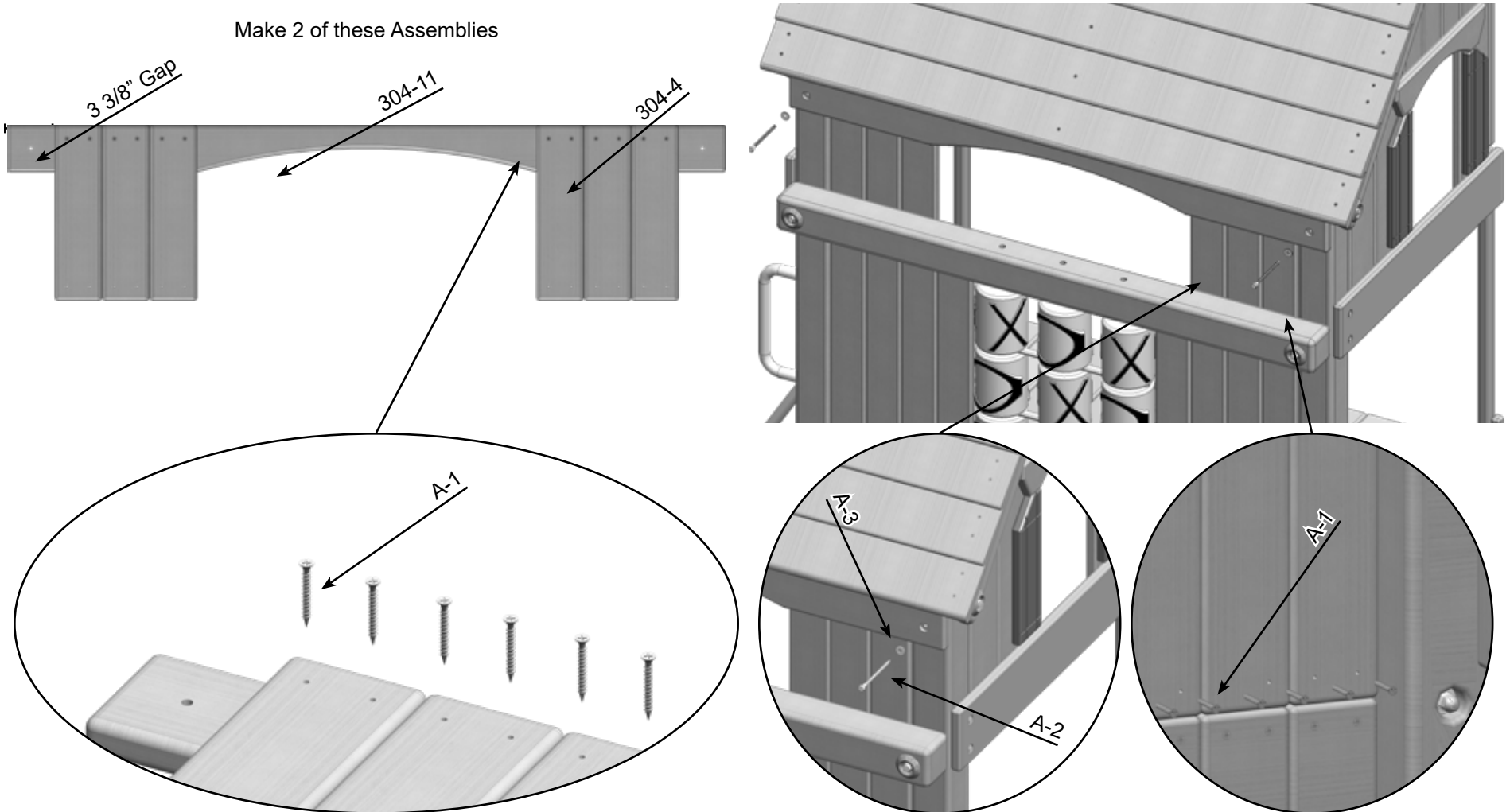
PARTS NEEDED

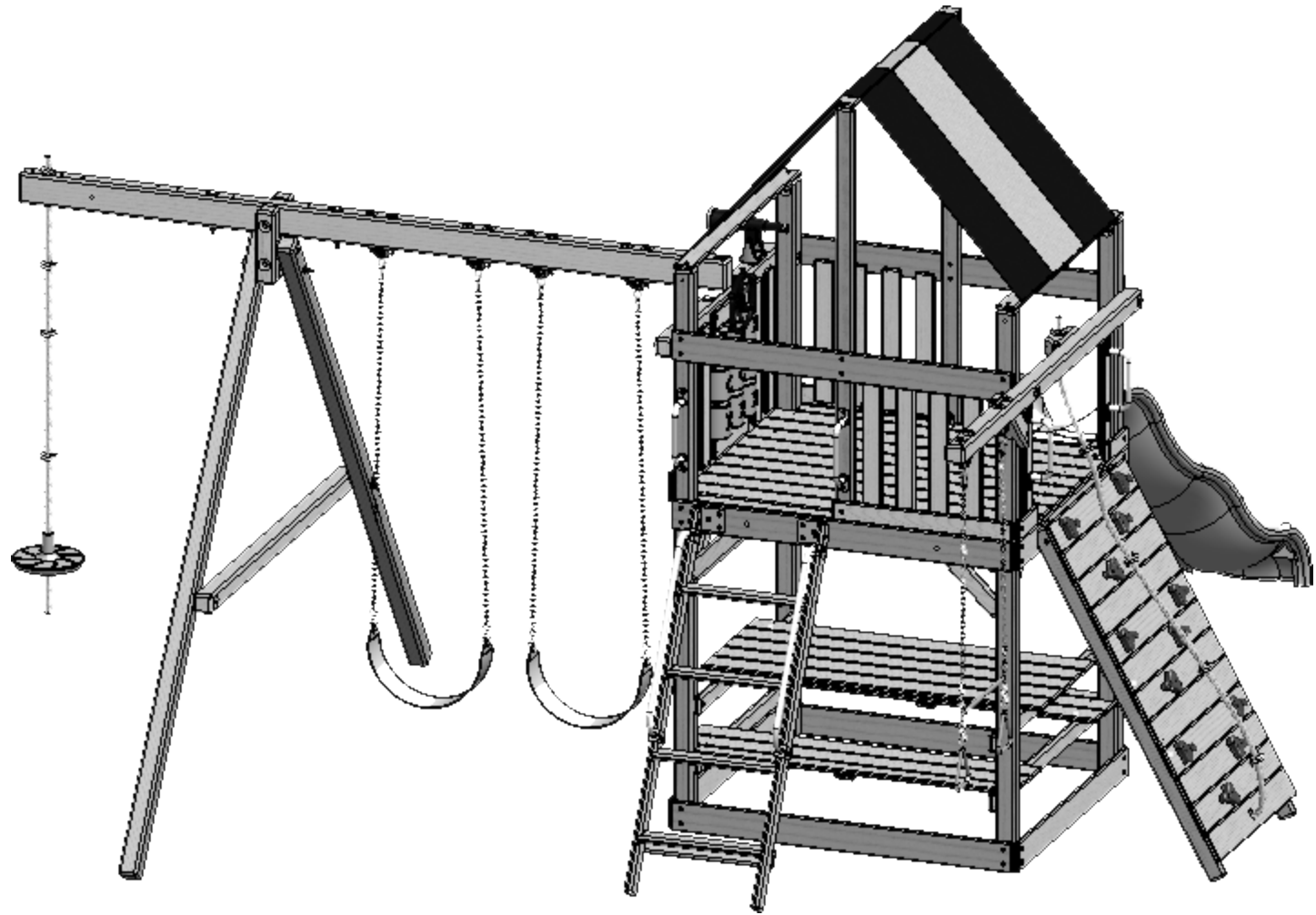
- 304-4- Upper Small Side Board- (12)
- 304-11- Upper Arch Facia- (2)

HARDWARE NEEDED

- A-1- 1 1/2" Coated Deck Screw- (48)
- A-2- 1/4" x 3" Hex Lag Screw- (4)
- A-3- 1/4" USS Flatwasher- (4)

(Repeat for Both Sides of Fort)







Universal Monkey Bar Install Manual

Version 1A.18



Tools Needed for Assembly

Tape Measure	24" Level	Angle Square
Phillips Screw Driver	3/8" Cordless Drill or Electric Drill	3/8" Drive Ratchet or Electric Impact Gun
Claw Hammer or Rubber Mallet	Pliers or Vise Grips	7/16" Deep Well Socket
9/16" Deep Well Socket	3/4" Deep Well Socket	1/8", 1/4", and 9/16" Drill Bits
Phillips Head Screw Bits	An Adult with two Adult Helpers	

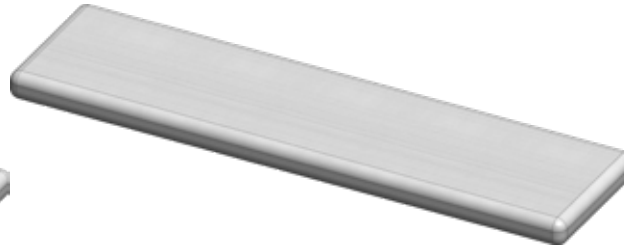
Please familiarize yourself with the install manual, parts/components and general construction process of your new swing set before getting started. Approximate assembly time: 6 to 8 hours. 6 foot unobstructed safety perimeter around swing set recommended.

KSI-031 Universal Monker Bar Lumber

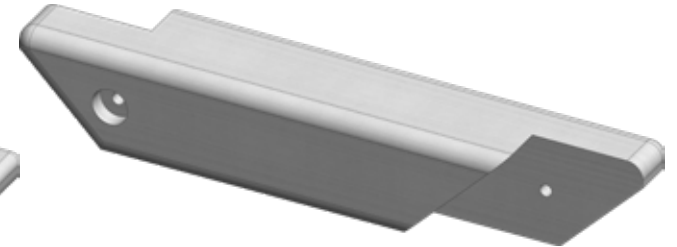
031-1
Box 1 of 2
Entrapment Board
QTY. 1



031-2
Box 1 of 2
Ladder Step
QTY. 4



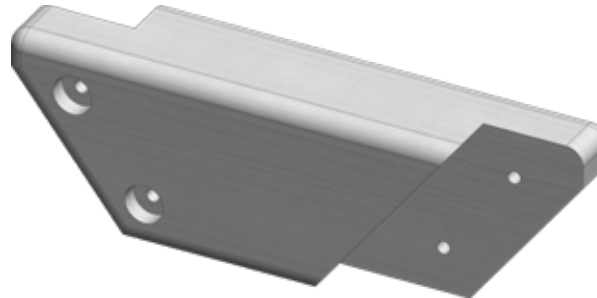
031-3
Box 1 of 2
Left Gusset
QTY. 1



031-4
Box 1 of 2
Right Gusset
QTY. 1



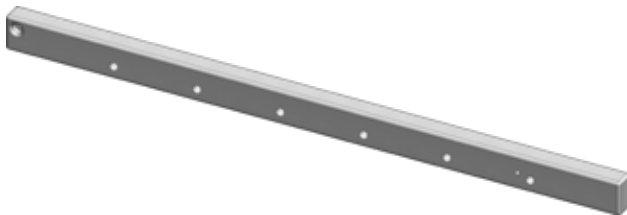
031-5
Box 1 of 2
Left MB Gusset
QTY. 1



031-6
Box 1 of 2
Right MB Gusset
QTY. 1



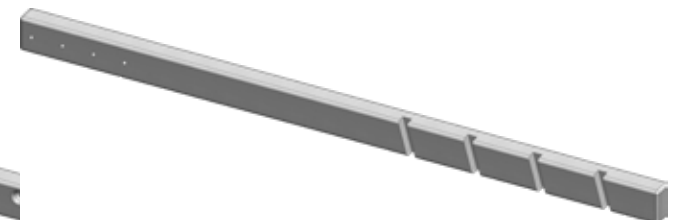
031-7
Box 1 of 2
Right Overhead
QTY. 1



031-8
Box 1 of 2
Left Overhead
QTY. 1



031-9
Box 1 of 2
Right Support Leg
QTY. 1



KSI-031 Universal Monker Bar Lumber

031-10
Box 1 of 2
Left Support Leg
QTY. 1



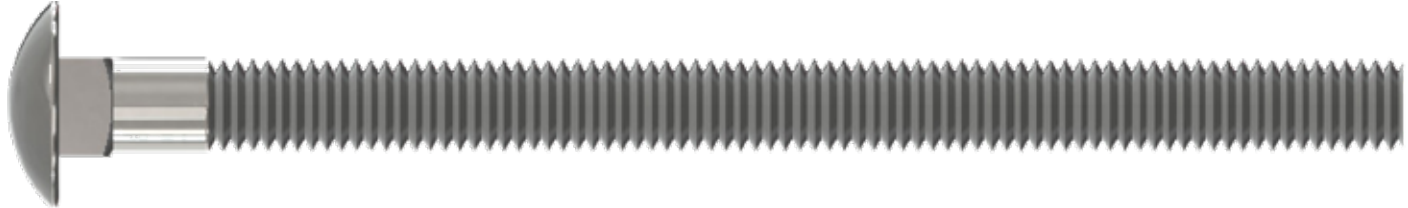
031-HWR UNIVERSAL MONKEY BAR HARDWARE

INSTALLER NOTE: (YOU MUST ASSEMBLE THIS PRODUCT IN ACCORDANCE WITH THESE ASSEMBLY INSTRUCTIONS. WHEN COMPLETE GIVE MANUAL TO OWNER.)

A-1
1/2" Acorn Nut Plated
QTY. 4



A-2
1/2" x 7" Carriage Bolt
QTY. 4



A-3
1/2" Hex Nut
QTY. 4



A-4
1/2" x 9" Hex Bolt
QTY. 1



A-5
1/4" x 3" Hex Lag Screw
QTY. 4

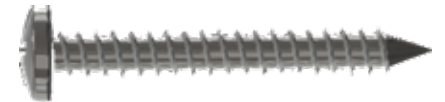


A-6
1/4" x 4 1/2" Hex Lag Screw
QTY. 16

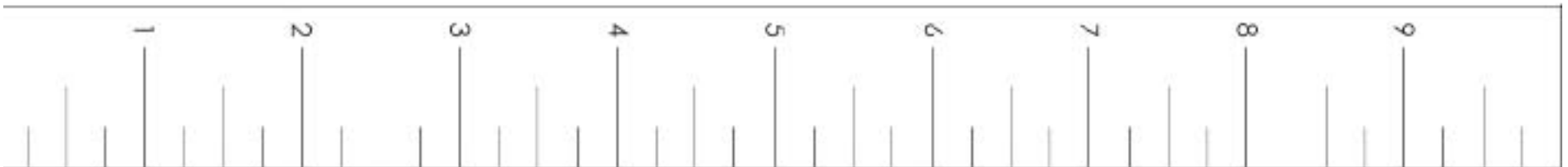


A-8
#14 x 2" Pan Phillips T/S
QTY. 4

A-7
3/8" x 3 1/2" Hex Lag Screw
QTY. 16



MEASUREMENT TAKEN FROM BOTTOM OF BOLT HEAD TO THE BOTTOM OF BOLT



USE THE RULER TO MEASURE YOUR BOLTS AND SCREWS. HARDWARE VIEWS SHOWN ABOVE ARE 1:1 SCALE AND CAN BE USED TO MATCH HARDWARE SIZES.

031-HWR UNIVERSAL MONKEY BAR HARDWARE

INSTALLER NOTE: (YOU MUST ASSEMBLE THIS PRODUCT IN ACCORDANCE WITH THESE ASSEMBLY INSTRUCTIONS. WHEN COMPLETE GIVE MANUAL TO OWNER.)

A-9
2" Metal Tap Screw
QTY. 14



A-10
1/2" Split Lockwasher
QTY. 4



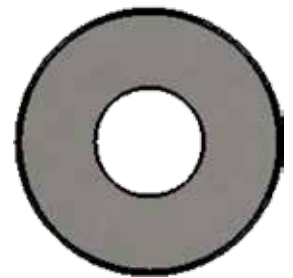
A-11
1/4" USS Flatwasher
QTY. 4



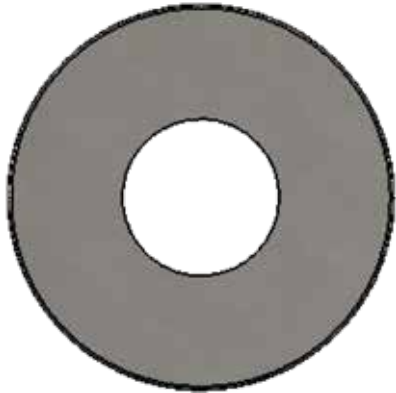
A-12
3/8" USS Flatwasher
QTY. 16



A-13
1/2" USS Flatwasher
QTY. 4



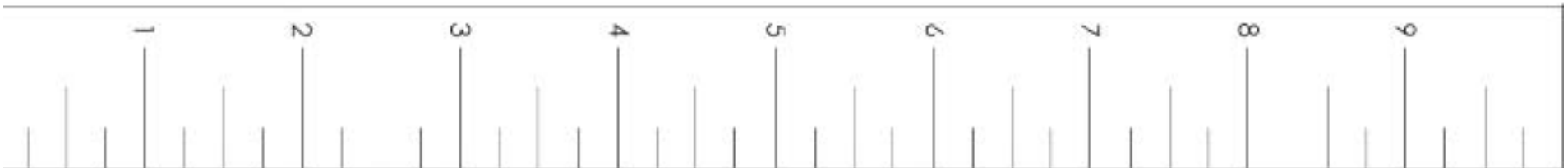
A-14
1/2" Acorn Nut Plated
QTY. 4



A-15
#2 & 3 Drive
QTY. 1



MEASUREMENT TAKEN FROM BOTTOM OF BOLT HEAD TO THE BOTTOM OF BOLT



USE THE RULER TO MEASURE YOUR BOLTS AND SCREWS. HARDWARE VIEWS SHOWN ABOVE ARE 1:1 SCALE AND CAN BE USED TO MATCH HARDWARE SIZES.

Universal Monkey Bar Accessories

031-A
1 1/4" x 22" Playgrip Tubes
QTY. 6



031-B
1 1/4" Playgrip Ladder Handles
QTY. 2



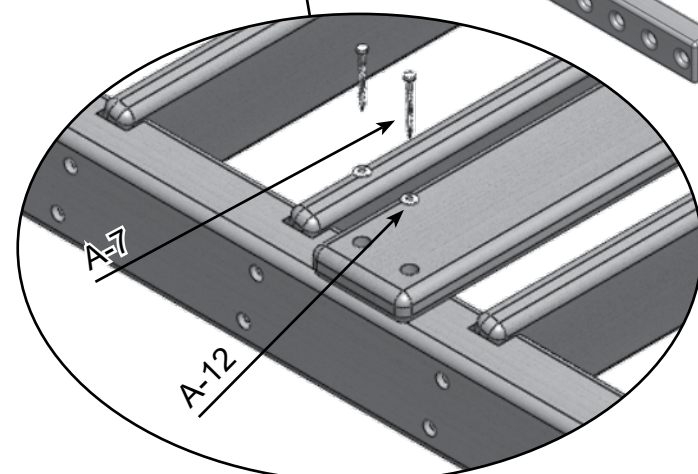
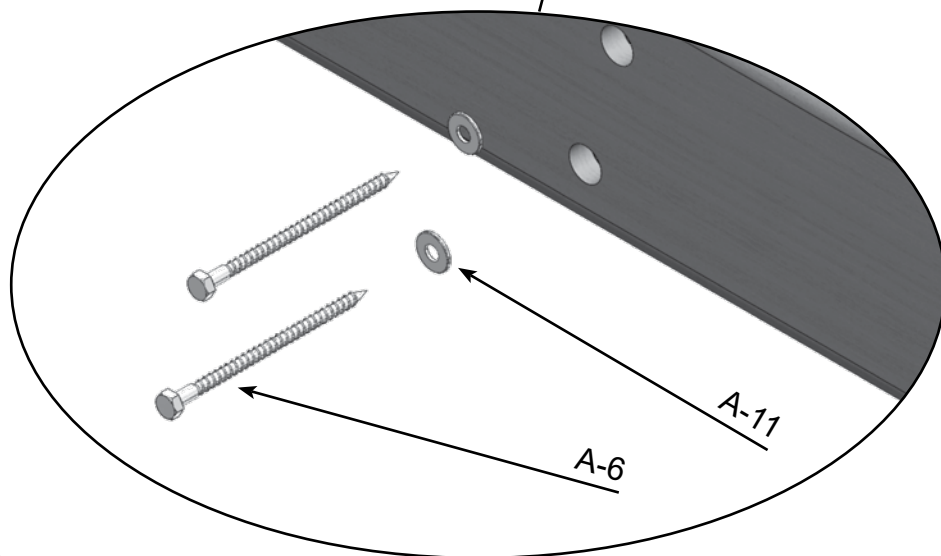
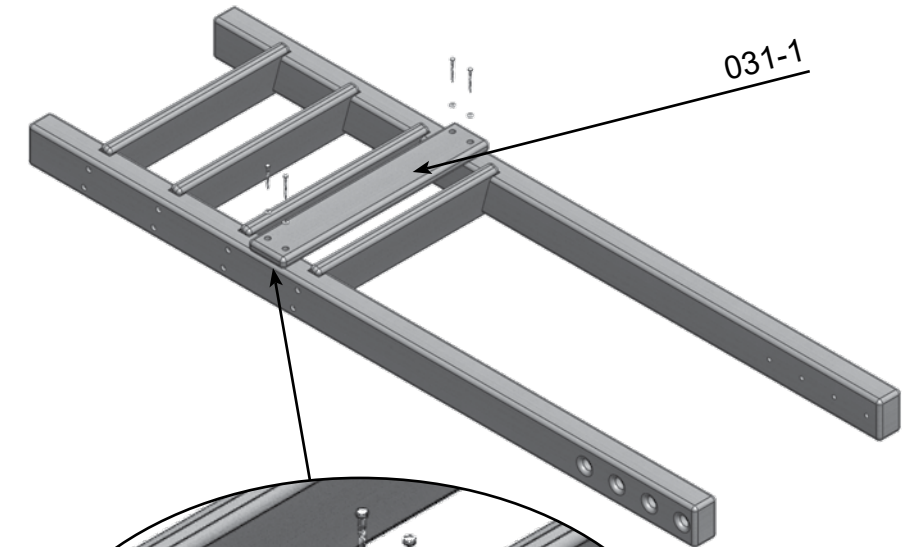
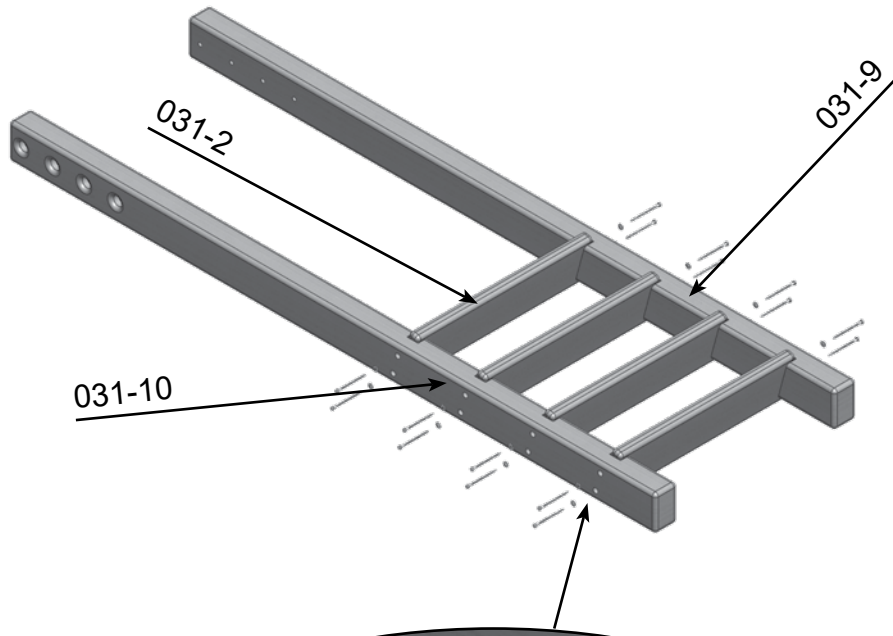
Monkey Bar Support Ladder Assembly

PARTS NEEDED

031-2- Ladder Step-	(4)
031-9- Right Support Leg-	(1)
031-10- Left Support Leg-	(1)
031-1- Entrapment Board-	(1)

HARDWARE NEEDED

A-11- 1/4" USS Flatwasher-	(16)
A-6- 1/4" x 4 1/2" Lag Screw-	(16)
A-7- 3/8" x 3 1/2" Hex Lag Screw-	(4)
A-12- 3/8" USS Flatwasher-	(4)



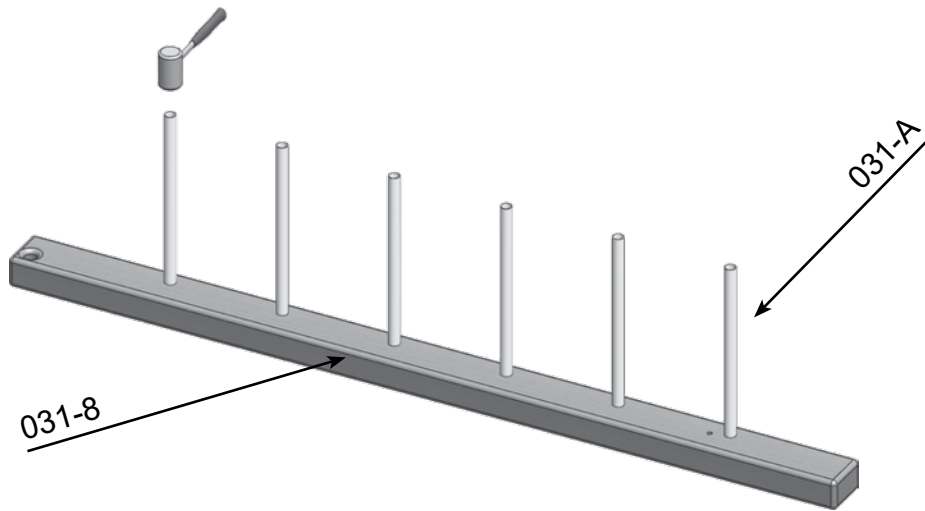
Monkey Bar Overhead Assembly

PARTS NEEDED

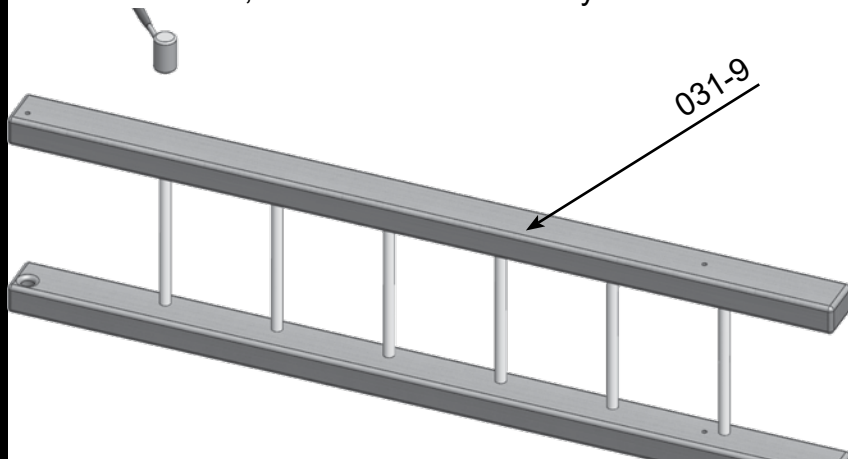
- 031-8- 96" (L) Monkey Bar Overhead- (1)
- 031-9- 96" (R) Monkey Bar Overhead- (1)
- 031-A- 1 1/4" x 22" Playgrip Tubes- (6)

HARDWARE NEEDED

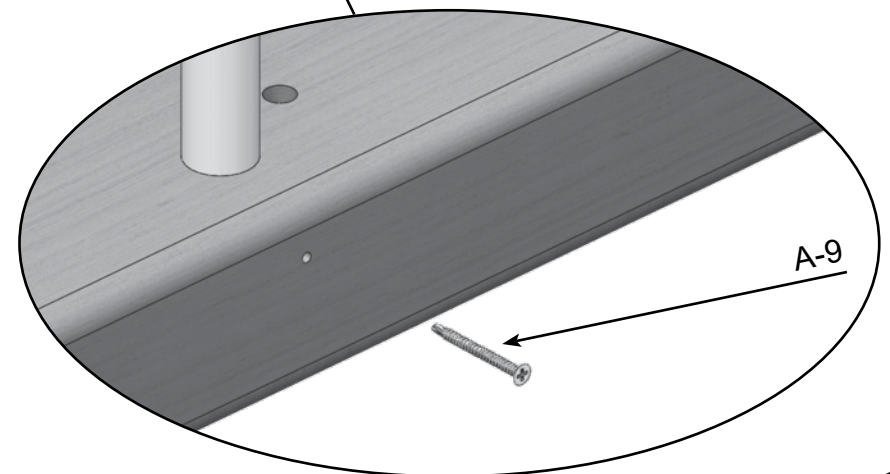
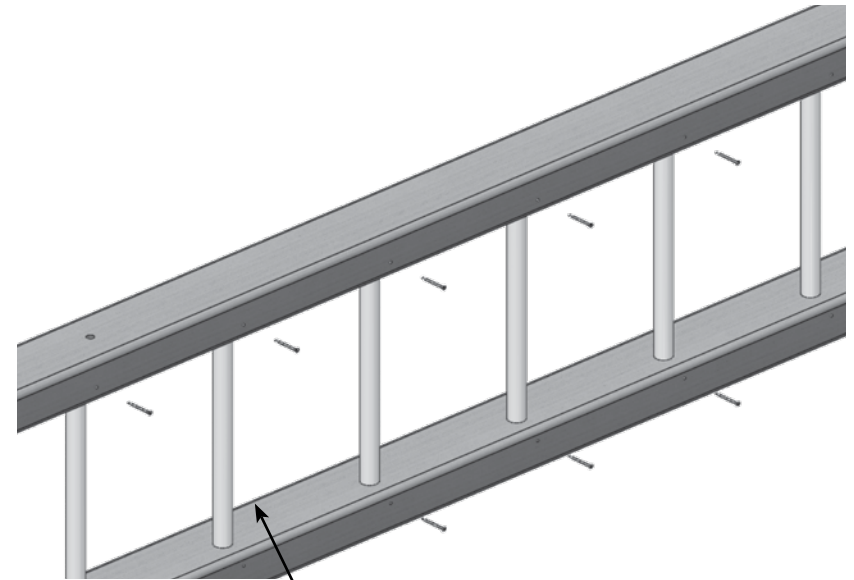
- A-9- 2" Metal Tap Screws- (12)



Place the 22" Playgrip Tubes in the holes and using a rubber mallet, knock them in until they bottom out.



Place the (R) Monkey Bar Overhead on the Playgrip Tubes and using a rubber mallet, knock the board down until it bottoms out. Leaving the assembly at 25" wide.



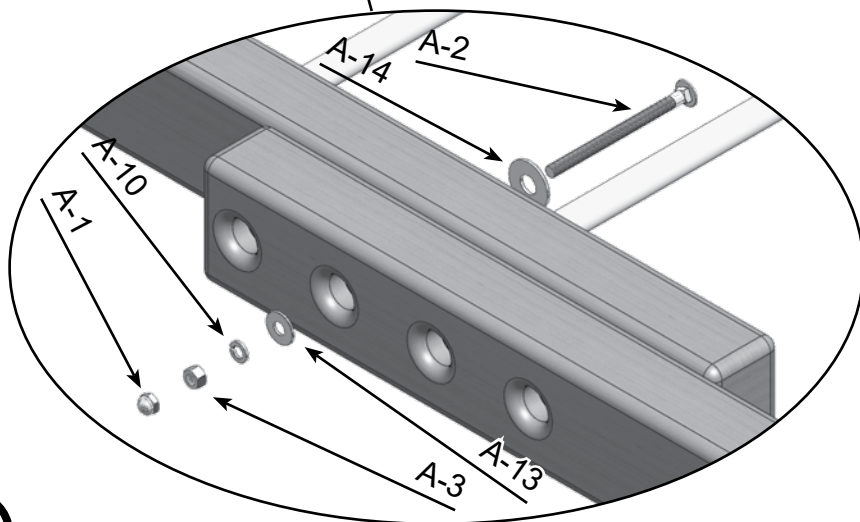
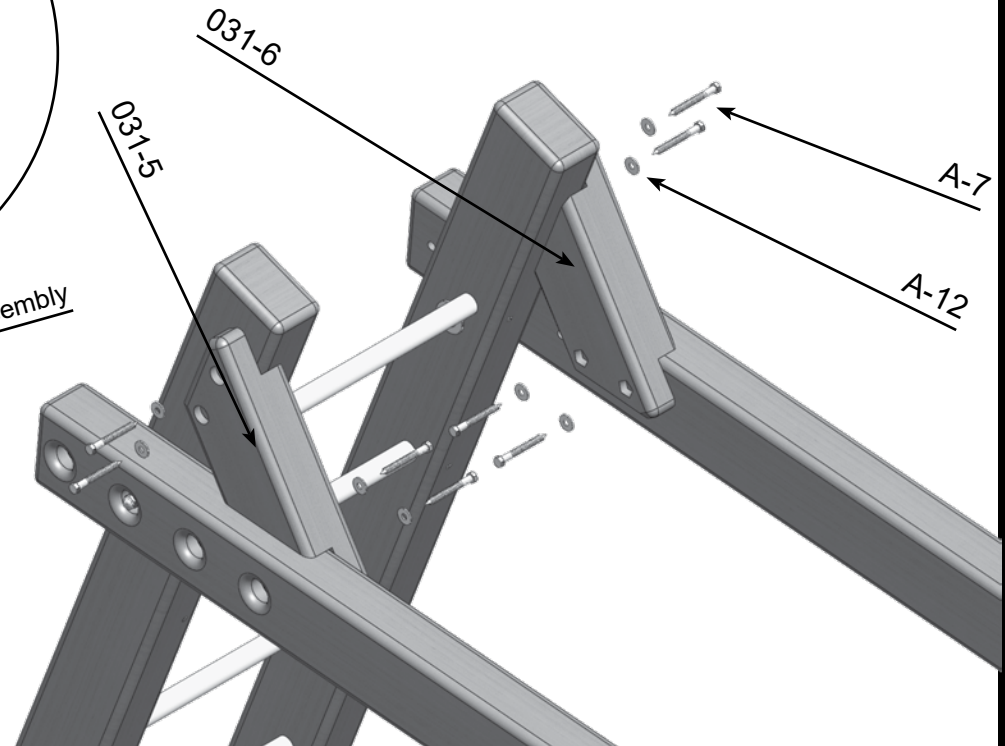
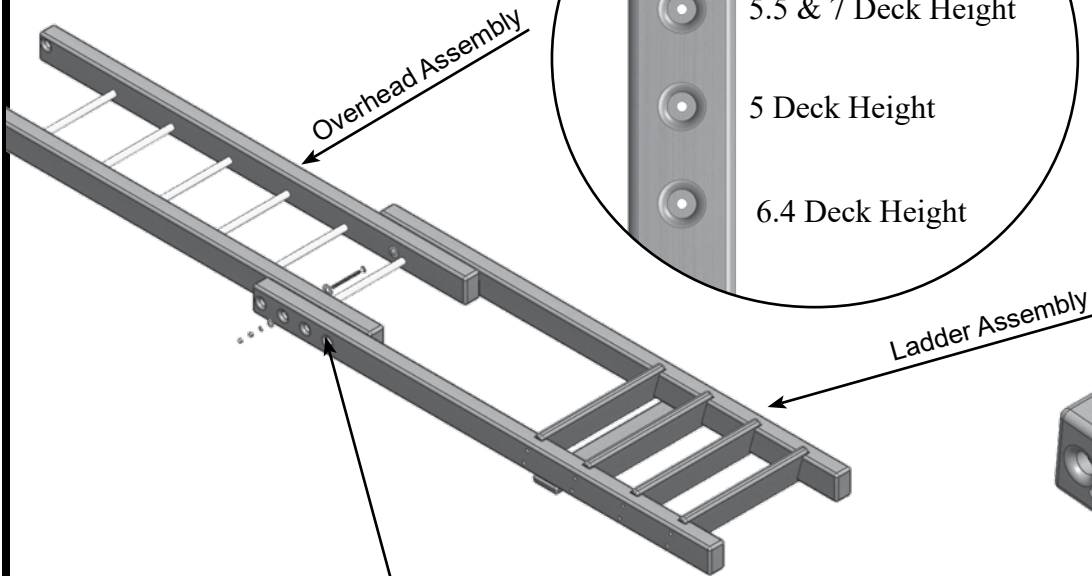
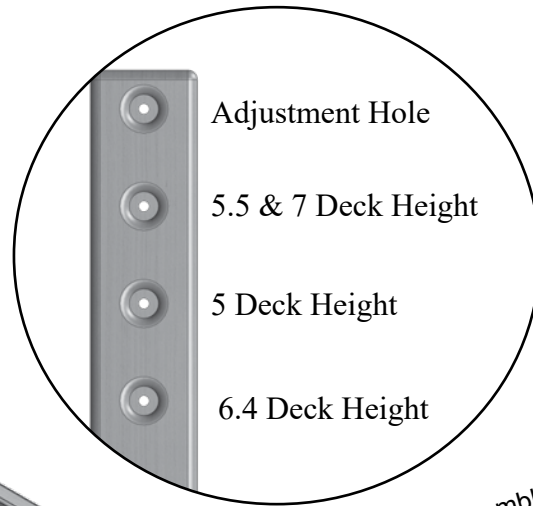
Monkey Bar Assembly

PARTS NEEDED

Monkey Bar overhead Assembly-	(1)
Support Assembly-	(1)
031-5- (L) MB Gusset-	(1)
031-6- (R) MB Gusset-	(1)

HARDWARE NEEDED

A-14- 3/4" USS Flatwasher-	(2)	A-10- 1/2" Split Lockwasher-	(2)
A-13- 1/2" USS Flatwasher-	(2)	A-3- 1/2" Hex Nut-	(2)
A-12- 3/8" USS Flatwasher-	(8)	A-1- 1/2" Acorn Nut-	(2)
A-2- 1/2" x 7" Carriage Bolt-	(2)	A-7- 3/8" x 3 1/2" Lag Screw-	(8)

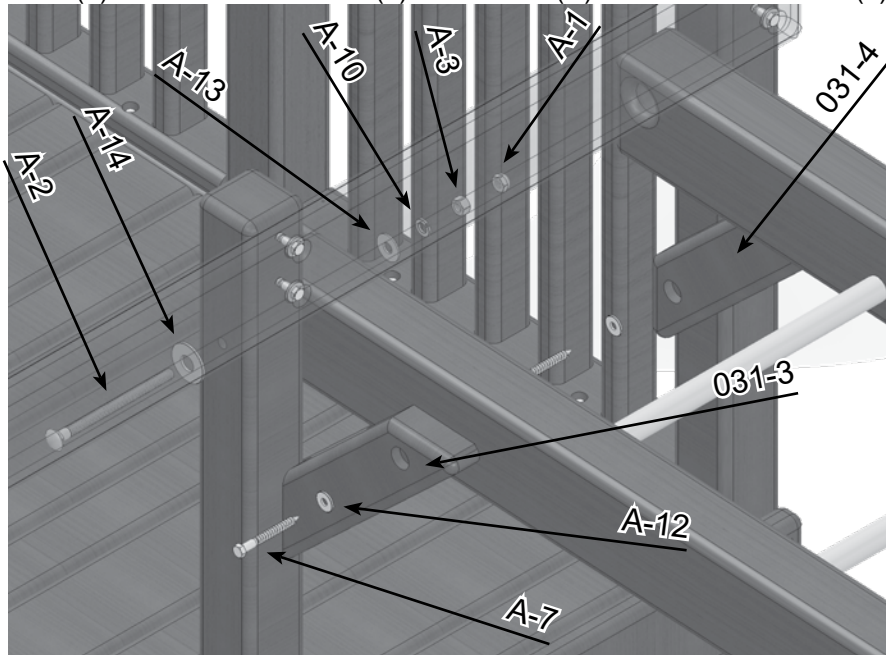


Grab the Monkey Bar Overhead at the rung that is in the center and pull up scissoring the Monkey Bar Overhead and the Monkey Bar Support. Now facing the Monkey Bar Support place your Left Monkey Bar Gusset on the inside of the board and push up until it touches the Monkey Bar Overhead. Have your helper pull out on the Monkey Bar Support until the notches on the Left Monkey Bar Gusset are flat against the Monkey Bar Support and the Monkey Bar Overhead. ****Be careful and do not let the assembly scissor back down as this can cause an injury or damage your Monkey Bars.**** Place a 3/8" Flatwasher over a 3/8" x 3 1/2" Hex Lag Screw and attach the Left Monkey Bar Gusset to the Monkey Bar Overhead and Monkey Bar Support Ladder. Repeat this process on the right side. Now tighten the 1/2" Hex Nuts, put on the 1/2" Acorn Nut and lightly tighten. Do not over tighten.

5 & 5.5 Fort Monkey Bar Assembly

HARDWARE NEEDED

A-14- 3/4" USS Flatwasher-	(2)	A-10- 1/2" Split Lockwasher-	(2)
A-13- 1/2" USS Flatwasher-	(2)	A-3- 1/2" Hex Nut-	(2)
A-1- 1/2" Acorn Nut-	(2)	A-2- 1/2" x 7" Carriage Bolt-	(2)
A-12- 3/8" USS Flatwasher-	(4)	A-7- 3/8" x 3 1/2" Lag Screw-	(4)
031-3- (L) Gusset-	(1)	031-4- (R) Gusset-	(1)

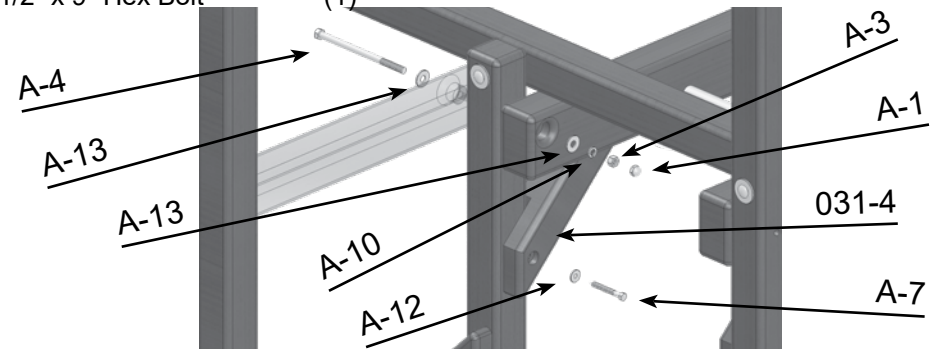


This step is only if you purchased a 5 or 5.5 Fort. Line up Monkey Bar Overhead countersunk holes with the holes below your 6 Hole Facia. Place a 3/4" Flatwasher over a 1/2" x 7" Carriage Bolt and then insert thru the hole into the countersunk hole in the Monkey Bar Overhead. Place a 1/2" Washer, 1/2" Lockwasher over the 1/2" x 7" Carriage Bolt end inside the Monkey Bar Overhead. Thread the 1/2" Hex Nut on to the 1/2" x 7" Carriage Bolt. Repeat this process on the other side. Now tighten the 1/2" Hex Nuts, put on the 1/2" Acorn Nut and lightly tighten. Do not over tighten. Place Left Gusset Bracket and attach with 2 - 3/8" x 3 1/2" Hex Lag Screw with 3/8" Flatwashers on them. Repeat this process for the Right Gusset Bracket on other side.

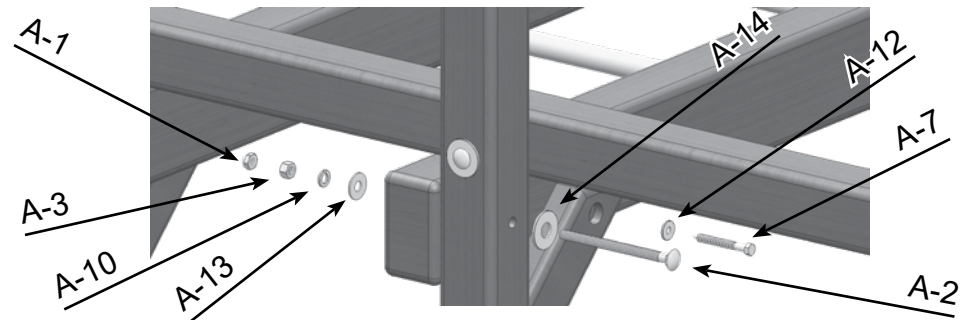
5 & 5.5 Playcenter M Bar Assembly

HARDWARE NEEDED

A-14-12- 3/4" USS Flatwasher-	(2)	A-10- 1/2" Split Lockwasher-	(2)
A-13- 1/2" USS Flatwasher-	(3)	A-3- 1/2" Hex Nut-	(2)
A-1- 1/2" Acorn Nut-	(2)	A-2- 1/2" x 7" Carriage Bolt-	(2)
A-12- 3/8" USS Flatwasher-	(4)	A-7- 3/8" x 3 1/2" Lag Screw-	(4)
A-4- 1/2" x 9" Hex Bolt-	(1)		



Remove the 1/2" x 7" Carriage Bolt and Hardware from the Corner Post. Then line up Monkey Bar Overhead countersunk holes with the holes in the Playcenter as seen above. Place a 1/2" Washer over the 1/2" x 9" Hex Bolt and then insert thru the Front Beam, then thru the Corner Post, and into the countersunk hole in the Monkey Bar Overhead. Place a 1/2" Washer, 1/2" Lockwasher over the 1/2" x 9" Hex Bolt end inside the Monkey Bar Overhead. Thread the 1/2" Hex Nut on to the 1/2" x 9" Hex Bolt. Place Right Gusset Bracket and attach with 2 - 3/8" x 3 1/2" Hex Lag Screw with 3/8" Flatwashers on them.

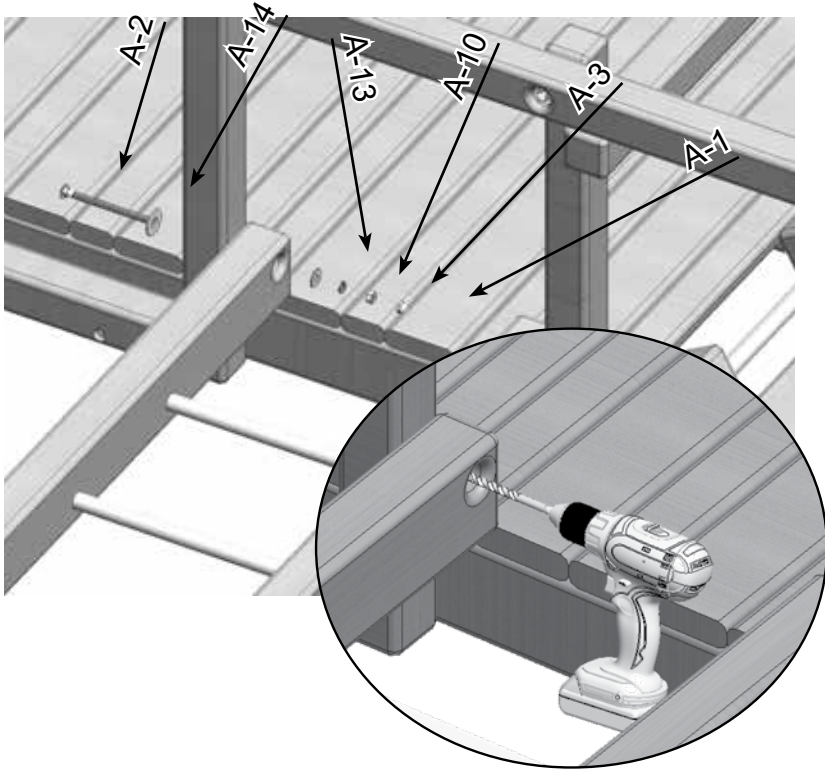


On the other side place a 3/4" Flatwasher over a 1/2" x 7" Carriage Bolt and then insert thru the hole into the countersunk hole in the Monkey Bar Overhead. Place a 1/2" Washer, 1/2" Lockwasher over the 1/2" x 7" Carriage Bolt end inside the Monkey Bar Overhead. Thread the 1/2" Hex Nut on to the 1/2" x 7" Carriage Bolt. Now tighten the 1/2" Hex Nuts, put on the 1/2" Acorn Nut and lightly tighten. Do not over tighten. Place Left Gusset Bracket and attach with 2 - 3/8" x 3 1/2" Hex Lag Screw with 3/8" Flatwashers on them.

6.4 & 7 Monkey Bar Assembly

HARDWARE NEEDED

- | | |
|--------------------------------|-----------------------------------|
| A-14- 3/4" USS Flatwasher- (2) | A-10- 1/2" Split Lockwasher-(2) |
| A-13- 1/2" USS Flatwasher- (2) | A-3- 1/2" Hex Nut- (2) |
| A-1- 1/2" Acorn Nut- (2) | A-2- 1/2" x 7" Carriage Bolt- (2) |

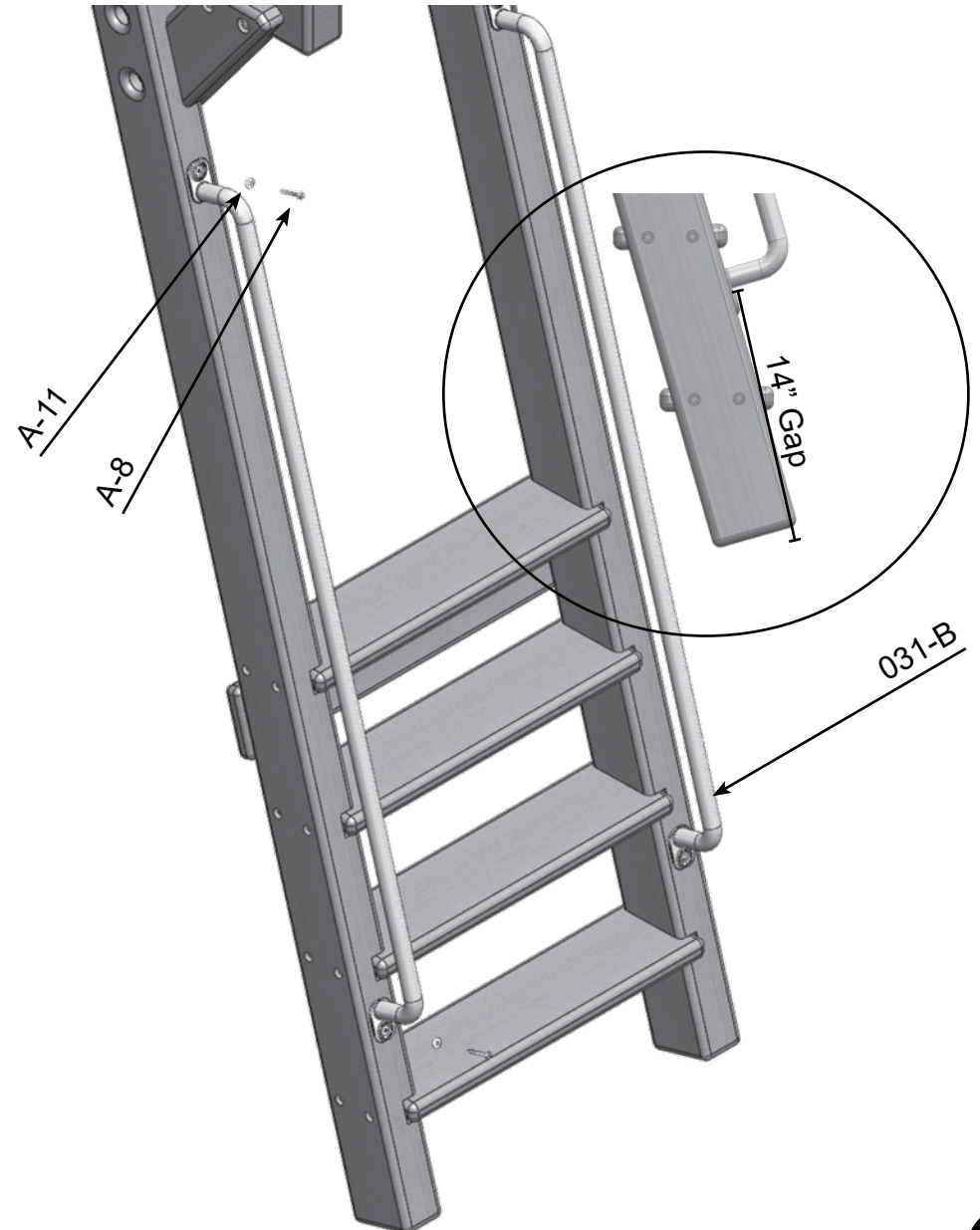


Set the Monkey Bar overhead on the deck(Fort) or line up the bottom of the Monkey Bar Overhead with the top of the Deck(Playcenter) and insert Monkey Bar Overhead in between the Corner Post and the Center Post. Make sure the ends of the Monkey Bar Overhead is flush with the inside of Corner Post and Center Post and then drill (see Figure 2) thru the Monkey Bar Overhead countersinks thru the Corner Post and Center Post. (On a playcenter swingset you will need to remove the Gusset on the Corner Post prior to drilling and then put the Gusset back on once all the Hardware is installed and tightened.) Place a 3/4" Flatwasher over a 1/2" x 7" Carriage Bolt and then insert thru the hole into the countersunk hole in the Monkey Bar Overhead. Place a 1/2" Washer, 1/2" Lockwasher over the 1/2" x 7" Carriage Bolt end inside the Monkey Bar Overhead. Thread the 1/2" Hex Nut on to the 1/2"x 7" Carriage Bolt. Repeat this process on the other side. Now tighten the 1/2" Hex Nuts, put on the 1/2" Acorn Nut and lightly tighten. Do not over tighten.

Safety Handle Install

HARDWARE NEEDED

- | |
|--|
| A-8- #14 x 2 " Pan Phillips T/S- (4) |
| A-11- 1/4" USS Flatwasher- (4) |
| 031-B- 1 1/4" Playgrip Ladder Handles- (2) |





Universal Loft Install Manual




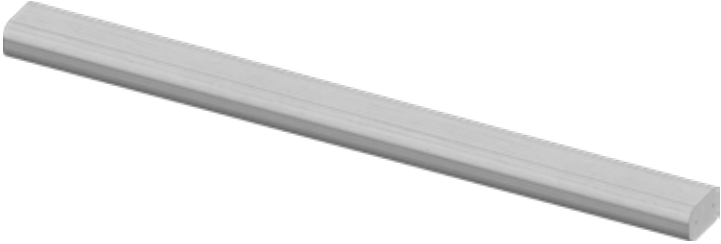
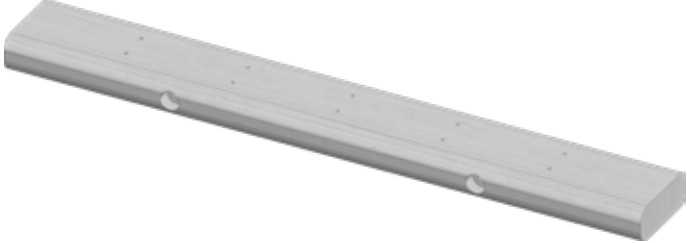

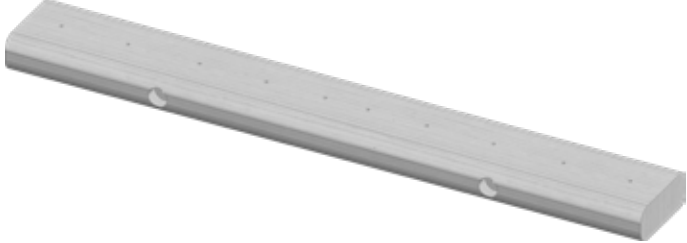
Version 1A:18

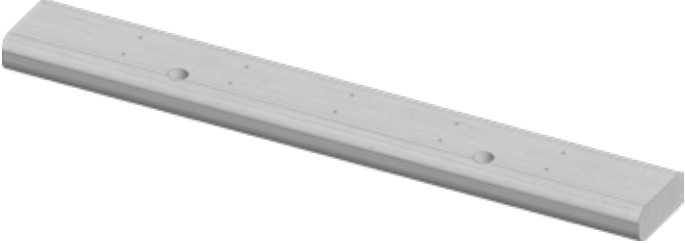


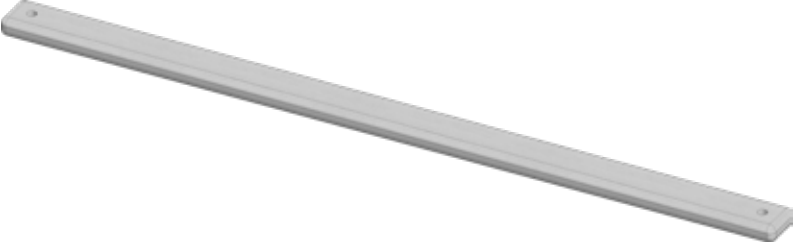

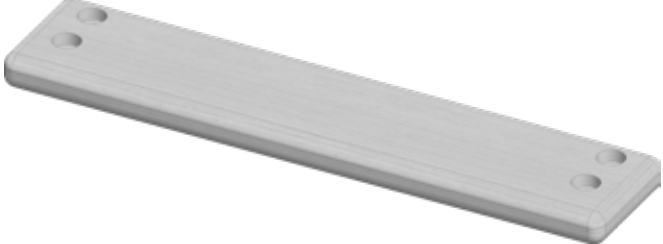





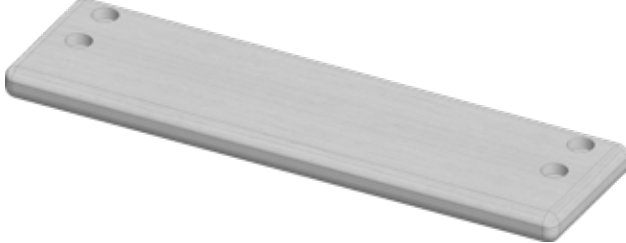
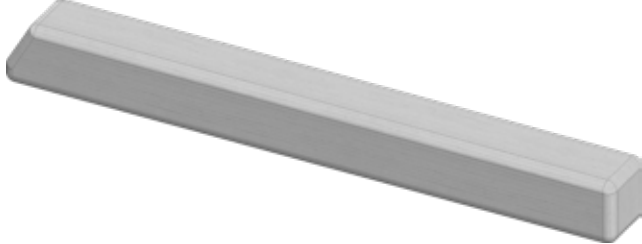
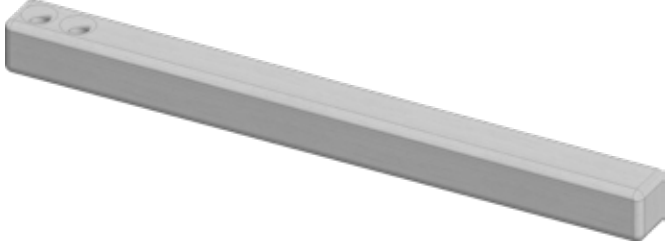
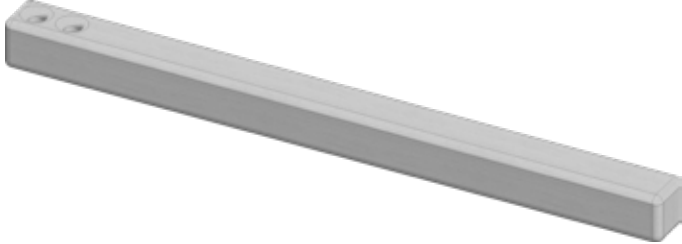
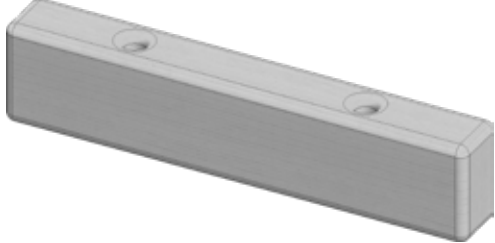
Tools Needed for Assembly

Tape Measure	24" Level	Angle Square
Phillips Screw Driver	3/8" Cordless Drill or Electric Drill	3/8" Drive Ratchet or Electric Impact Gun
Claw Hammer or Rubber Mallet	Pliers or Vise Grips	7/16" Deep Well Socket
9/16" Deep Well Socket	3/4" Deep Well Socket	1/8", 1/4", and 9/16" Drill Bits
Phillips Head Screw Bits	An Adult with two Adult Helpers	

Please familiarize yourself with the install manual, parts/components and general construction process of your new swing set before getting started. Approximate assembly time: 6 to 8 hours. 6 foot unobstructed safety perimeter around swingset recommended.

Picture	Description	QTY.
	<p>045-1 Box 1 of 4 Spiral Slide Filler</p>	<p>2</p>
	<p>045-2 Box 1 of 4 3 Hole Facia</p>	<p>2</p>
	<p>045-3 Box 1 of 4 Entrapment Facia</p>	<p>1</p>
	<p>045-4 Box 2 of 4 Rail Spindle</p>	<p>20</p>
	<p>045-5 Box 1 of 4 Universal Rail Top</p>	<p>4</p>
	<p>045-6 Box 1 of 4 Universal Filler</p>	<p>4</p>
	<p>045-7 Box 1 of 4 Deck Runner</p>	<p>4</p>

Picture	Description	QTY.
	<p>045-8 Box 1 of 4 Rail Bottom</p>	<p>4</p>
	<p>045-9 Box 2 of 4 Deck Board</p>	<p>2</p>
	<p>045-10 Box 2 of 4 Top Joist</p>	<p>2</p>
	<p>045-11 Box 1 of 4 Tarp Center</p>	<p>1</p>
	<p>045-12 Box 1 of 4 Tarp Side Facia</p>	<p>2</p>
	<p>045-13 Box 2 of 4 Entrapment Board</p>	<p>1</p>
	<p>045-14 Box 1 of 4 Deck Board</p>	<p>8</p>

Picture	Description	QTY.
	<p>045-15 Box 1 of 4 6 Hole Facia</p>	<p>2</p>
	<p>045-16 Box 1 of 4 6 Hole Facia</p>	<p>2</p>
	<p>045-17 Box 2 of 4 Entrapment Board</p>	<p>1</p>
	<p>045-18 Box 2 of 4 Tarp Upright</p>	<p>2</p>
	<p>045-19 Box 2 of 4 Center Upright</p>	<p>2</p>
	<p>045-20 Box 2 of 4 Corner Post</p>	<p>4</p>
	<p>045-21 Box 2 of 4 Entrapment Block</p>	<p>2</p>

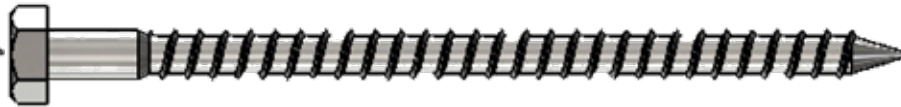
045-HWR UNIVERSAL LOFT HARDWARE BAGS

INSTALLER NOTE: (YOU MUST ASSEMBLE THIS PRODUCT IN ACCORDANCE WITH THESE ASSEMBLY INSTRUCTIONS. WHEN COMPLETE GIVE MANUAL TO OWNER.)

A-1
1/4" x 3" Hex Lag Screw
QTY. 13



A-2
1/4" x 4 1/2" Hex Lag Screw
QTY. 27



A-3
3/8" x 3 1/2" Hex Lag Screw
QTY. 49



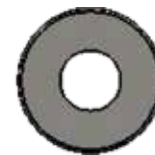
A-4
3/8" x 5" Hex Lag Screw
QTY. 12



A-5
3/8" x 7" Hex Lag Screw
QTY. 4



A-6
1/4" USS Flatwasher
QTY. 40



A-7
3/8" USS Flatwasher
QTY. 65



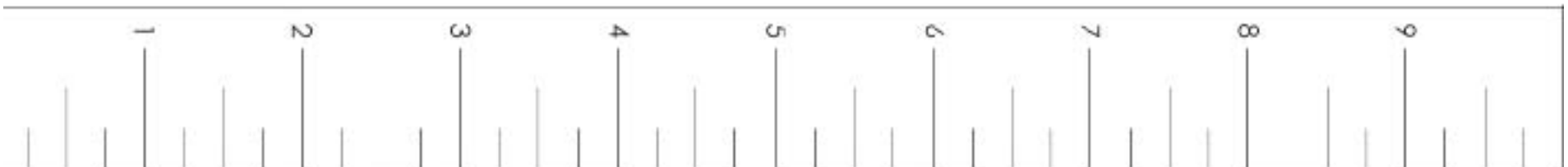
A-8
#2 & 3 Drive Bit
QTY. 1



Bag B
2 1/2" Coated Deck Screw
QTY. 130



MEASUREMENT TAKEN FROM BOTTOM OF BOLT HEAD TO THE BOTTOM OF BOLT



USE THE RULER TO MEASURE YOUR BOLTS AND SCREWS. HARDWARE VIEWS SHOWN ABOVE ARE 1:1 SCALE AND CAN BE USED TO MATCH HARDWARE SIZES.

044-HWR UNIVERSAL LOFT WOOD ROOF HARDWARE

INSTALLER NOTE: (YOU MUST ASSEMBLE THIS PRODUCT IN ACCORDANCE WITH THESE ASSEMBLY INSTRUCTIONS. WHEN COMPLETE GIVE MANUAL TO OWNER.)

A-1
3/8" Acorn Nut Plated
QTY. 4



A-2
3/8" x 3 1/2" Carriage Bolt
QTY. 4



A-3
1 1/2" Coated Deck Screw
QTY. 20



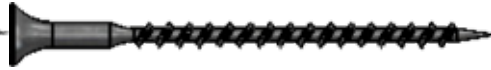
A-4
1 5/8" Coated Deck Screw
QTY. 118



A-5
2" Coated Deck Screw
QTY. 8



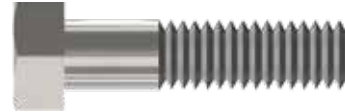
A-6
2 1/2" Coated Deck Screw
QTY. 5



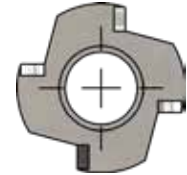
A-7
3/8" Hex Nut
QTY. 4



A-8
3/8" x 1" Hex Bolt
QTY. 6



A-9
3/8" 4- Prong T-Nut
QTY. 6



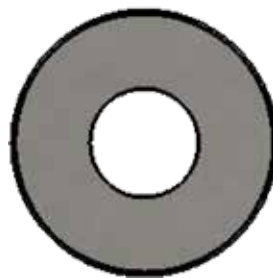
A-10
3/8" Split Lockwasher
QTY. 4



A-11
3/8" USS Flatwasher
QTY. 10



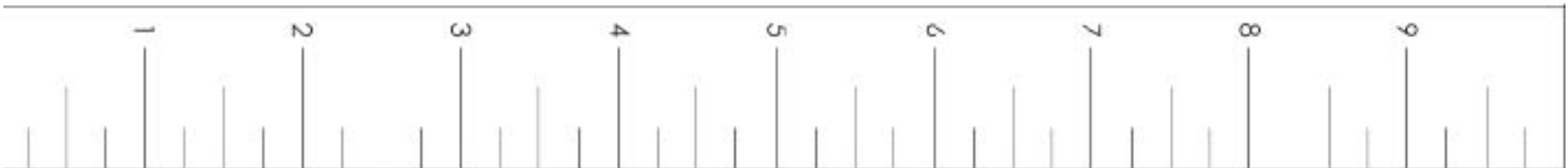
A-12
1/2" USS Flatwasher
QTY. 4





A-13
#2 & 3 Drive Bit
QTY. 1



MEASUREMENT TAKEN FROM BOTTOM OF BOLT HEAD TO THE BOTTOM OF BOLT



USE THE RULER TO MEASURE YOUR BOLTS AND SCREWS. HARDWARE VIEWS SHOWN ABOVE ARE 1:1 SCALE AND CAN BE USED TO MATCH HARDWARE SIZES.

Picture	Description	QTY.
	045-A Bubble Panel w/ Lexan	1
	045-B Binoculars	1

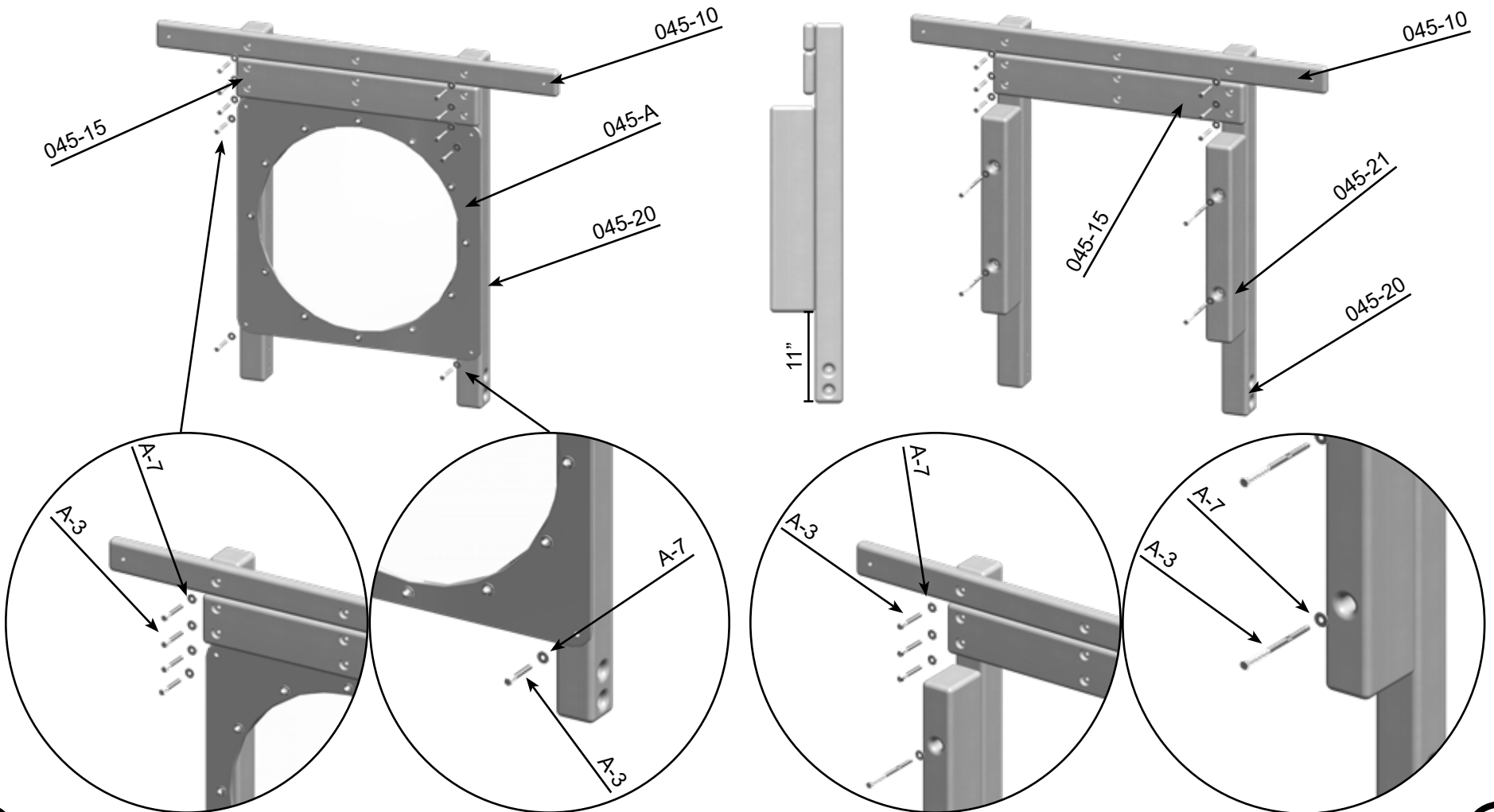
Universal Loft Install

PARTS NEEDED

045-15- 6-Hole Facia-	(2)	045-10- Top Joist-	(2)
045-20- Corner Post-	(4)	045-21- Entrapment Block-	(2)
045-A- Bubble Panel-	(1)		

HARDWARE NEEDED

A-7- 3/8" USS Flatwasher-	(20)
A-3- 3/8" x 3 1/2" Hex Lag Screw-	(16)
A-4- 3/8" x 7" Hex Lag Screw-	(4)



Universal Loft Install

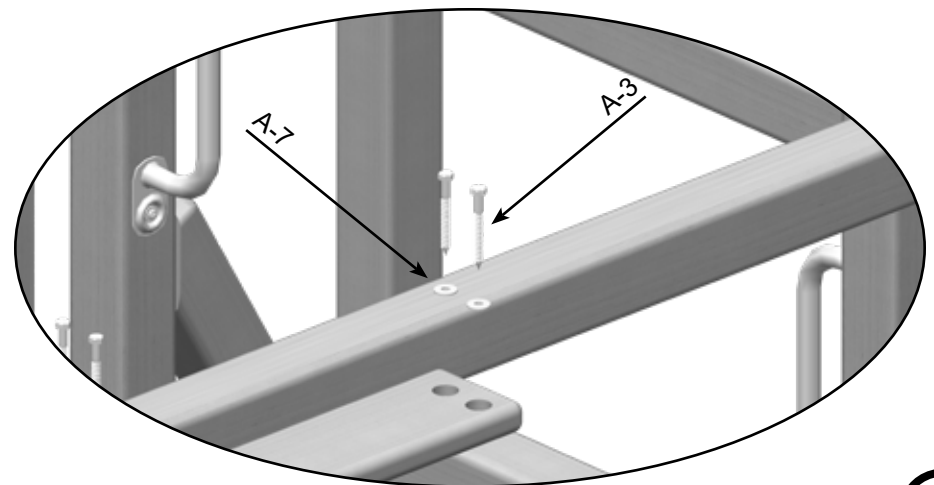
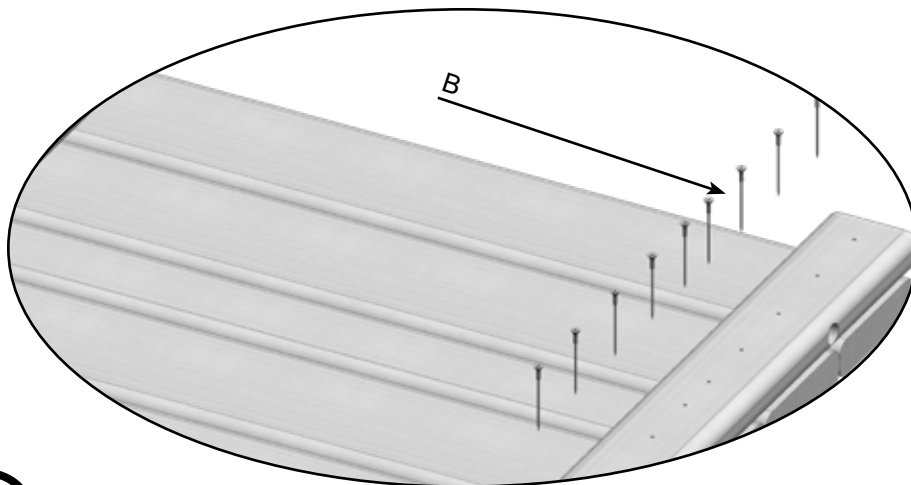
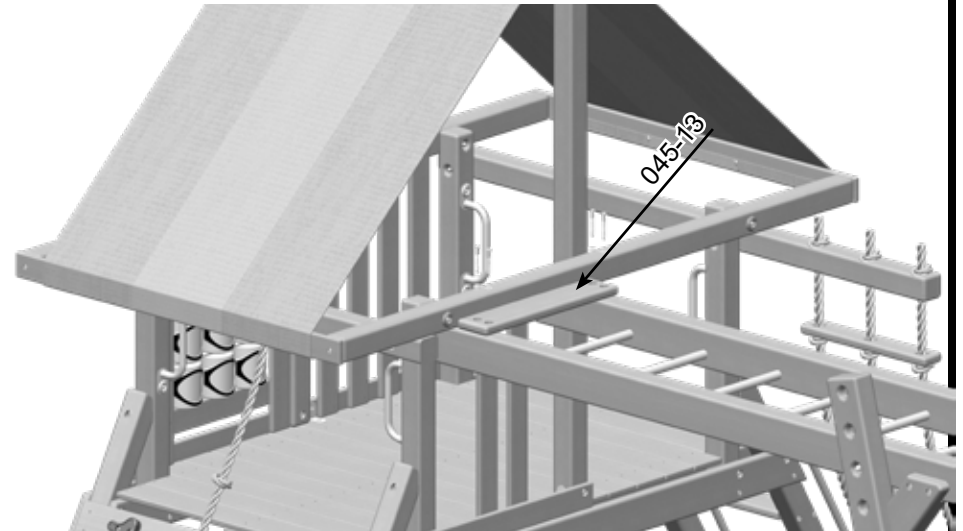
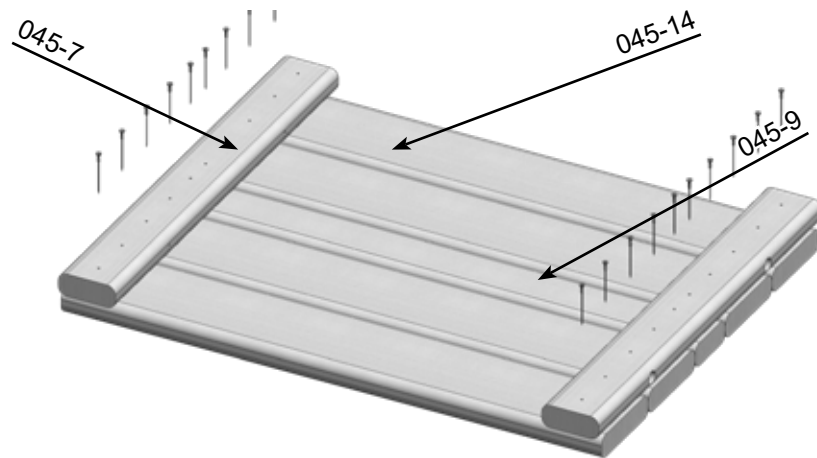
PARTS NEEDED

045-7- Deck Runner-	(4)
045-14- Large Deck Board-	(8)
045-9- Deck Board-	(2)
045-13- Entrapment Board-	(1)

HARDWARE NEEDED

B- 2 1/2" Coated Deck Screw-	(40)
A-3- 3/8" x 3 1/2" Hex Lag Screw-	(4)
A-7- 3/8" USS Flatwasher-	(4)

Make 2 of these Assemblies



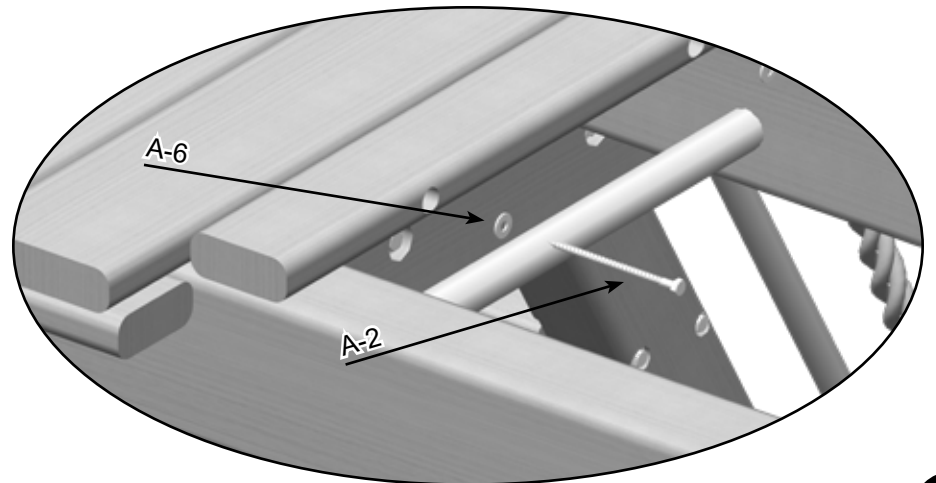
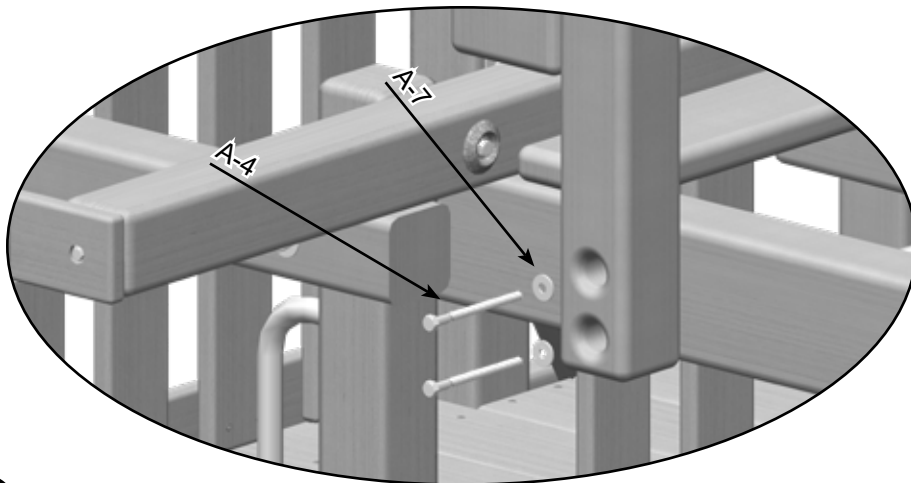
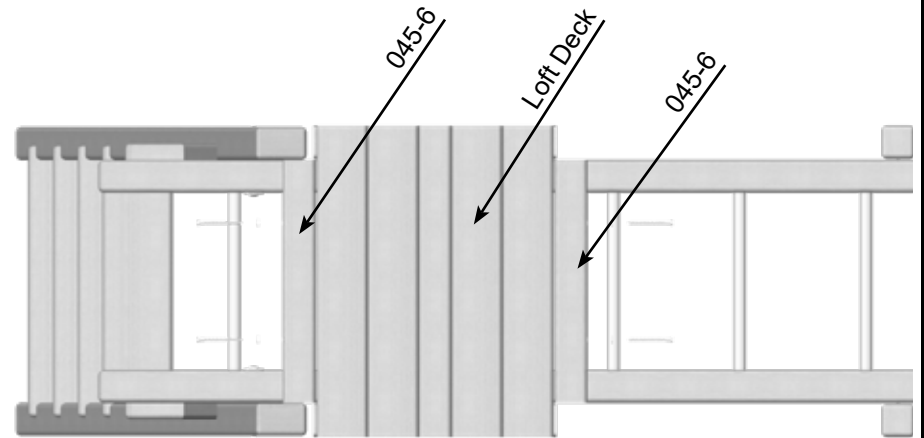
Universal Loft Install

PARTS NEEDED

Entrapment Assembly- (1)
045-6- Universal Filler- (2)
Loft Deck- (1)

HARDWARE NEEDED

A-4- 3/8" x 5" Hex Lag Screw- (4)
A-7- 3/8" USS Flatwasher- (4)
A-2- 1/4" x 4 1/2" Hex Lag Screw- (4)
A-6- 1/4" USS Flatwasher- (4)



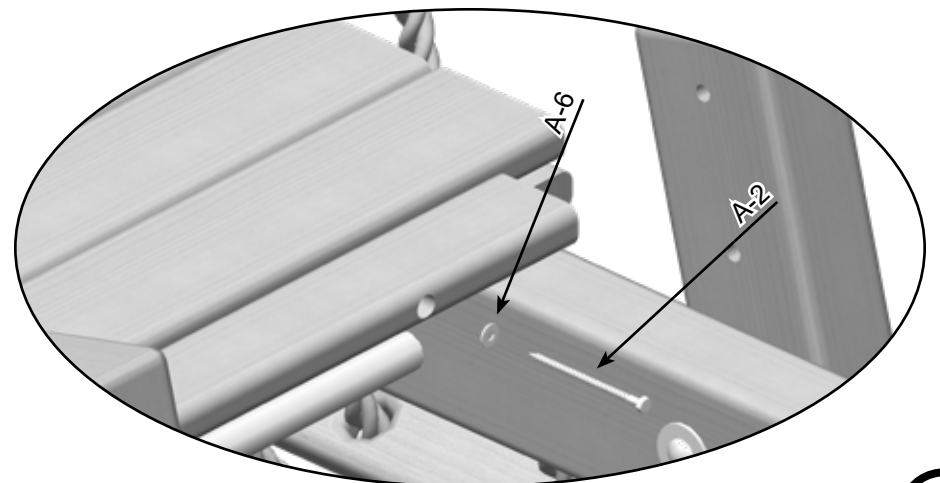
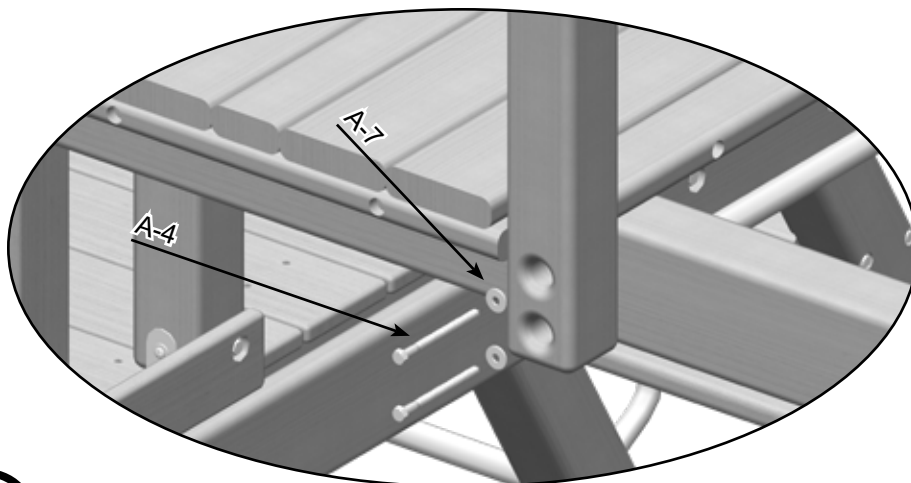
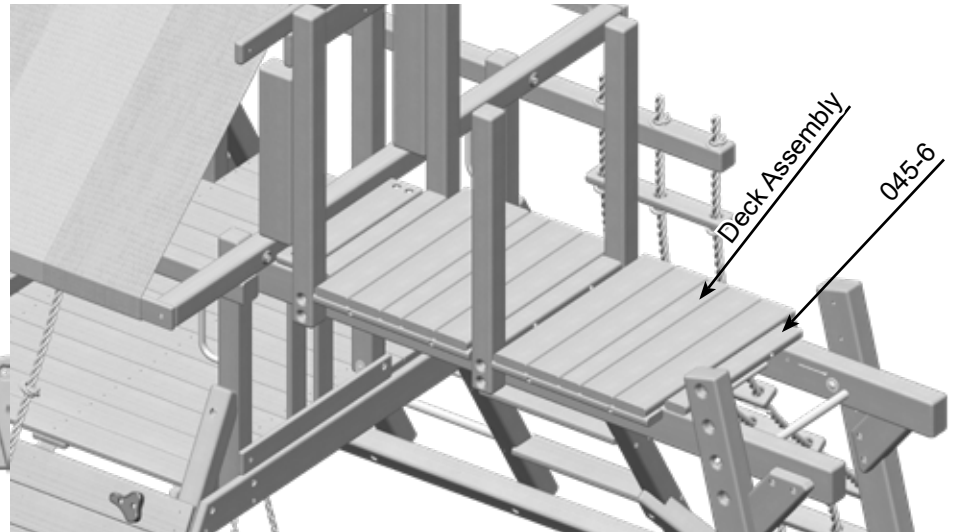
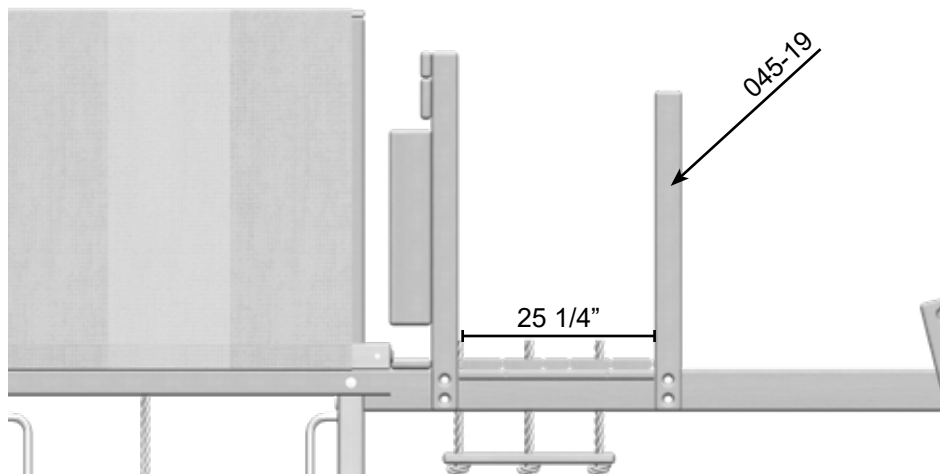
Universal Loft Install

PARTS NEEDED

- 045-19- Center Upright- (2)
- 045-6- Universal Filler- (1)
- Deck Assembly- (1)

HARDWARE NEEDED

- A-7- 3/8" USS Flatwasher- (4)
- A-4- 3/8" x 5" Hex Lag Screw- (4)
- A-6- 1/4" USS Flatwasher- (2)
- A-2- 1/4" x 4 1/2" Hex Lag Screw- (2)



Universal Loft Install

PARTS NEEDED

Bubble Assembly-

(1)

HARDWARE NEEDED

A-4- 3/8" x 5" Hex Lag Screw-

(4)

A-7- 3/8" USS Flatwasher-

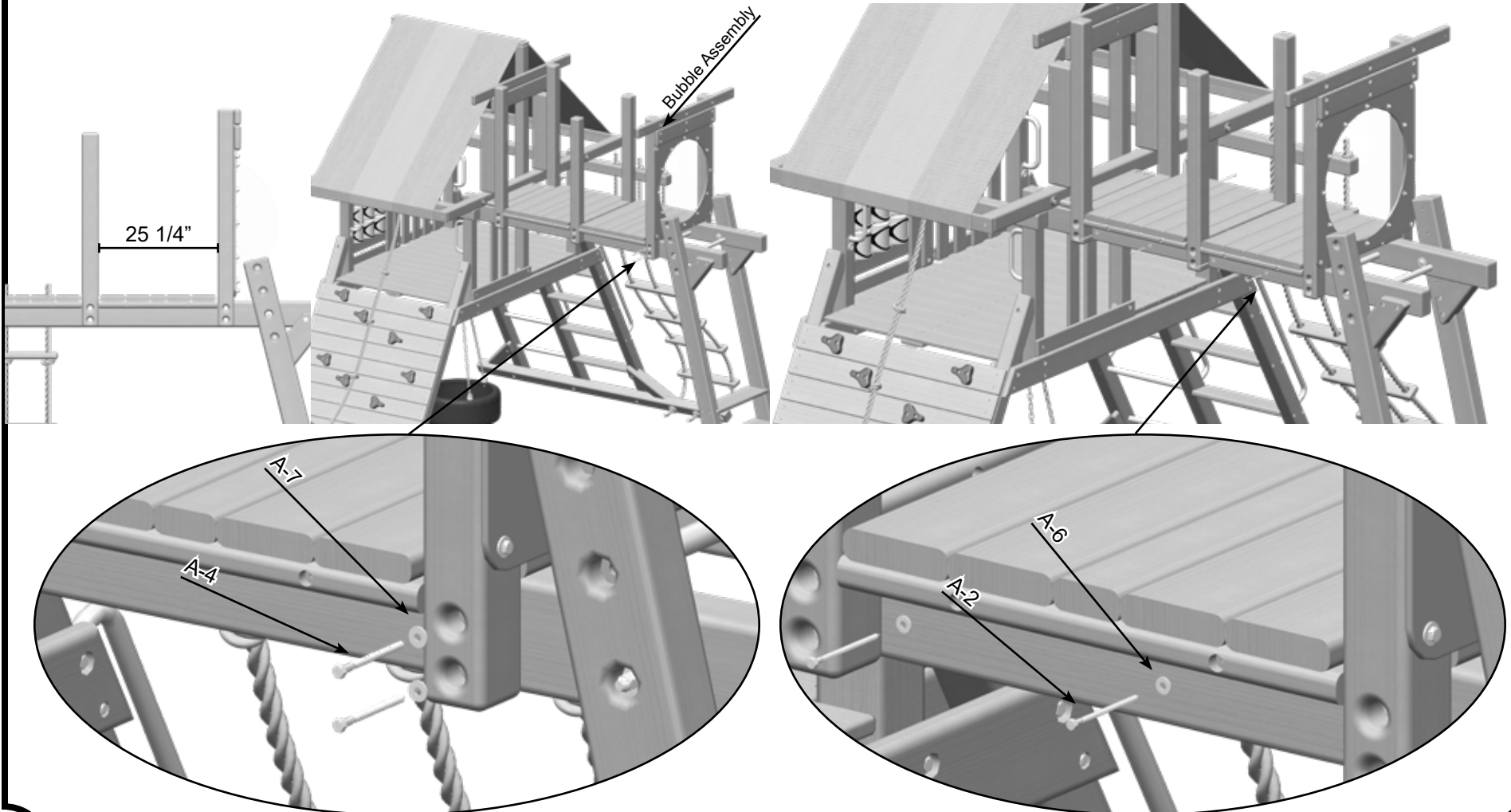
(4)

A-6- 1/4" USS Flatwasher-

(8)

A-2- 1/4" x 4 1/2" Hex Lag Screw-

(8)



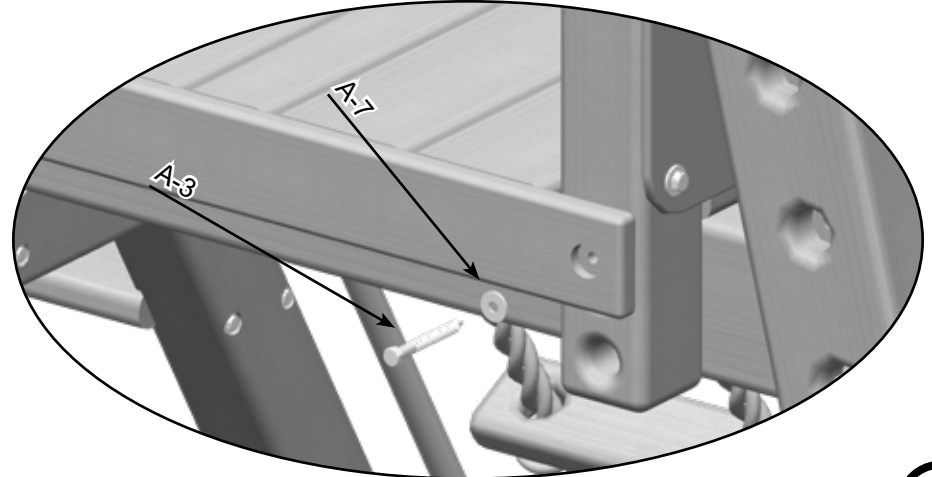
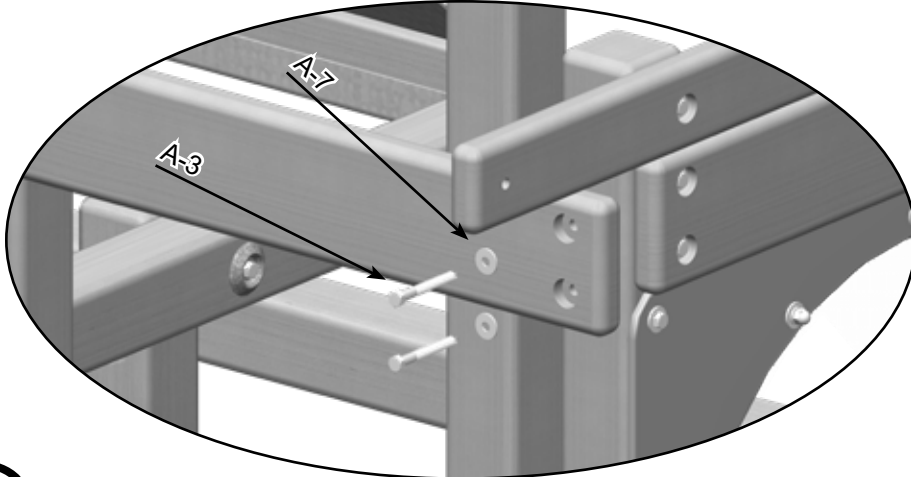
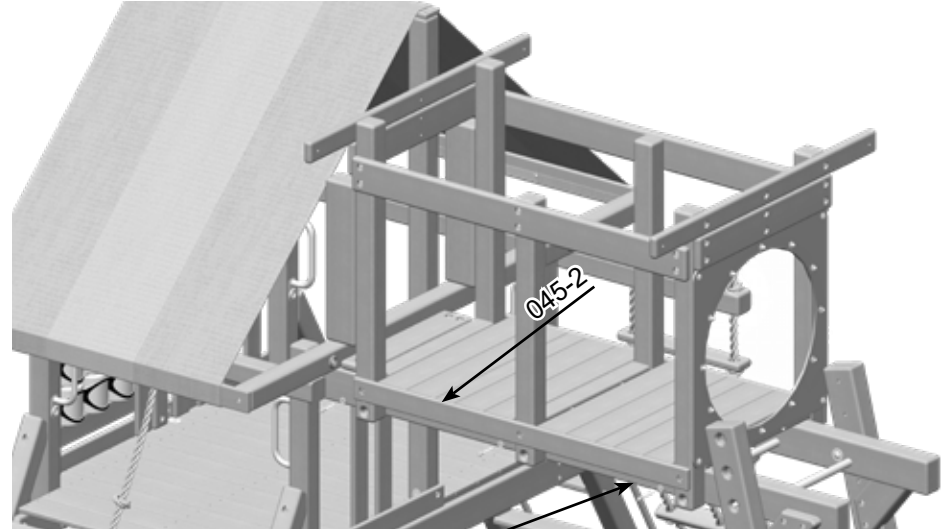
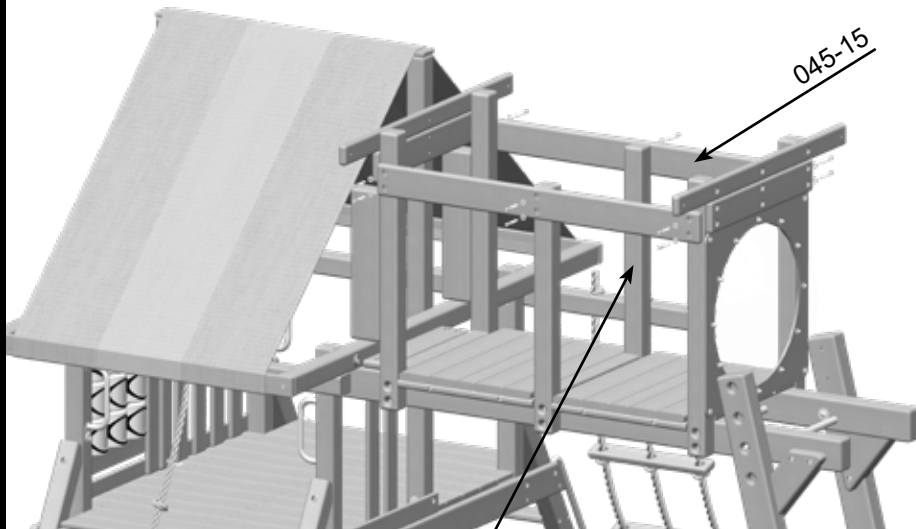
Universal Loft Install

PARTS NEEDED

045-15- 6-Hole Facia- (2)
045-2- 3- Hole Facia- (2)

HARDWARE NEEDED

A-7- 3/8" USS Flatwasher- (18)
A-3- 3/8" x 3 1/2" Hex Lag Screw- (18)



Universal Loft Install

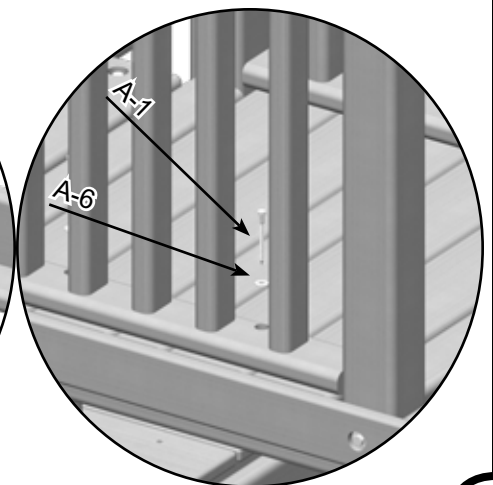
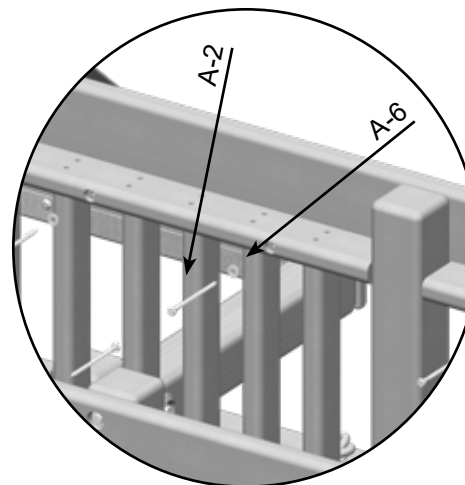
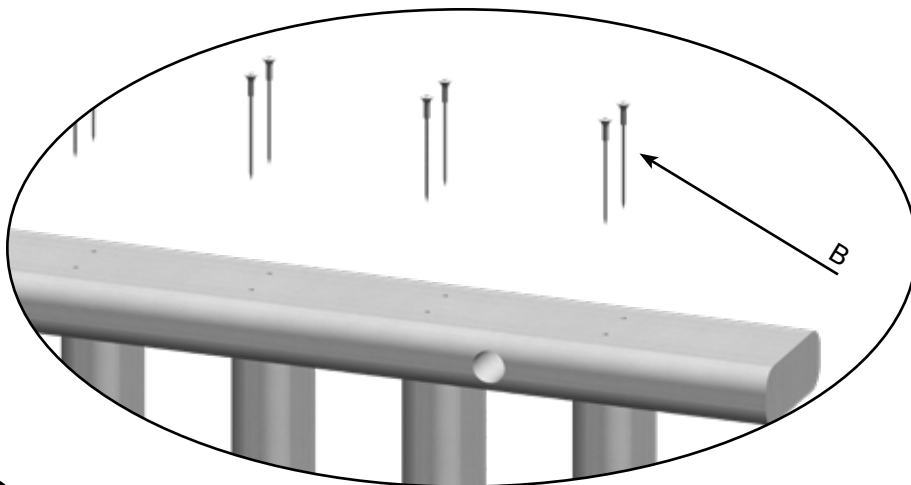
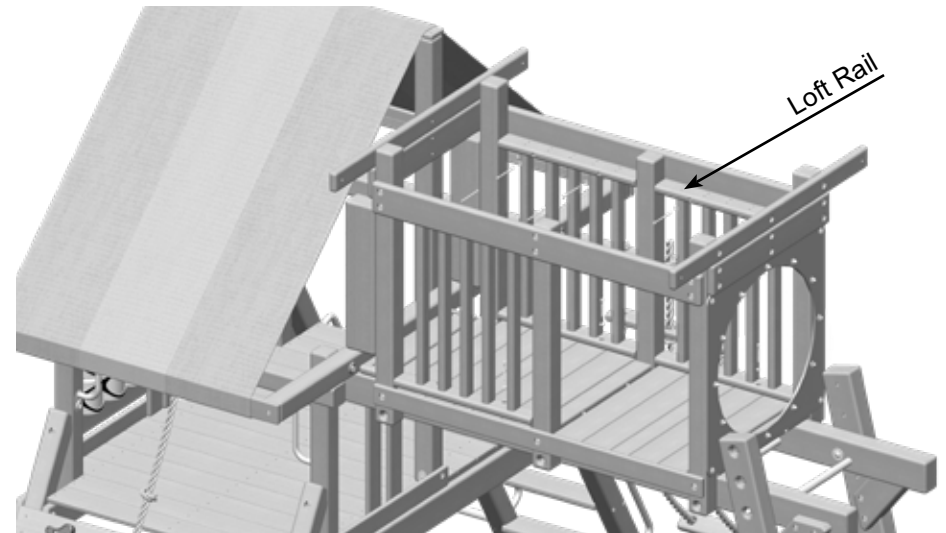
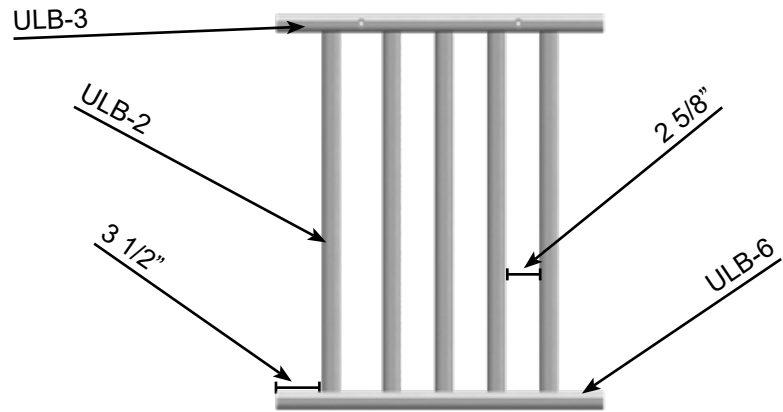
PARTS NEEDED

045-5- Universal Rail Top-	(3)
045-4- Rail Spindle-	(15)
045-8- Rail Bottom-	(3)
Loft Rail-	(3)

HARDWARE NEEDED

B- 2 1/2" Coated Deck Screw-	(60)
A-2- 1/4" x 4 1/2" Hex Lag Screw-	(6)
A-1- 1/4" x 3" Hex Lag Screw-	(6)
A-6- 1/4" USS Flatwasher-	(12)

Make 3 of these Assemblies



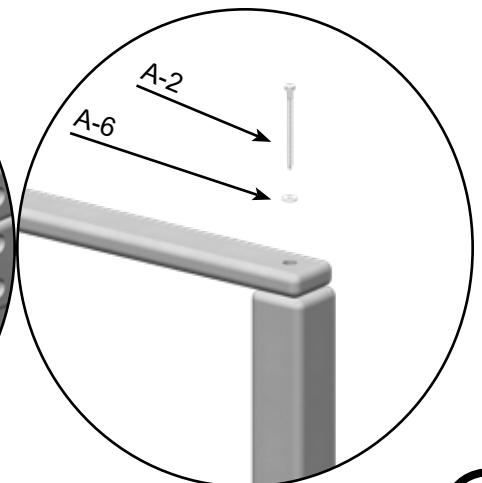
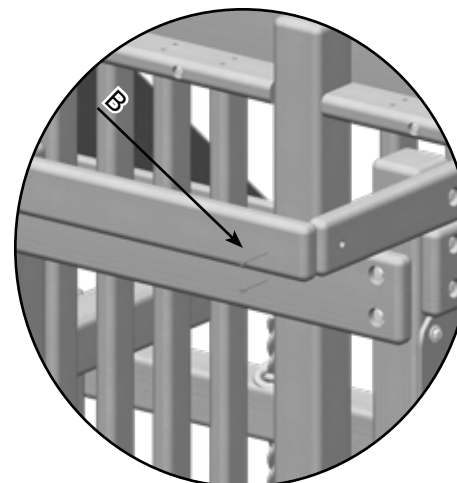
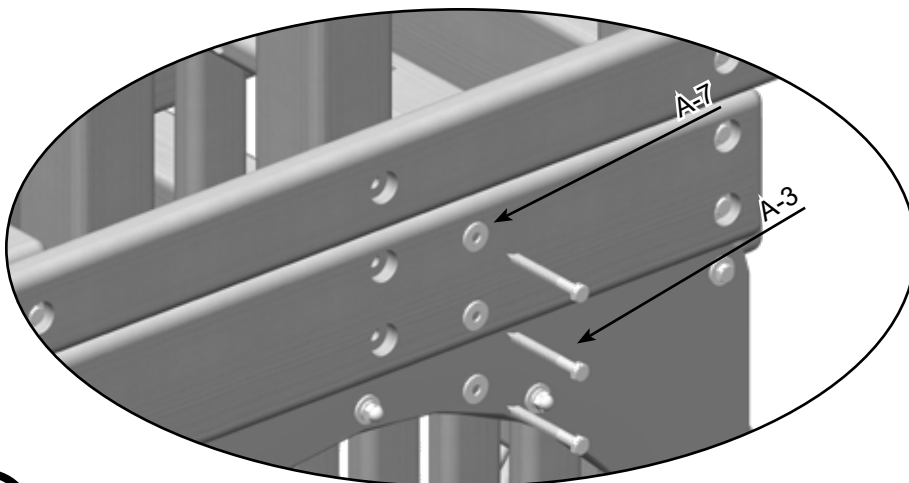
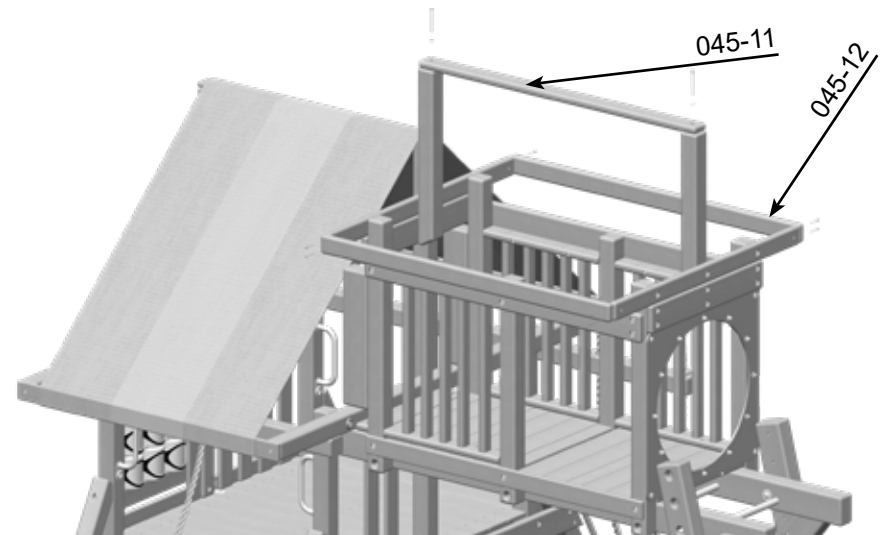
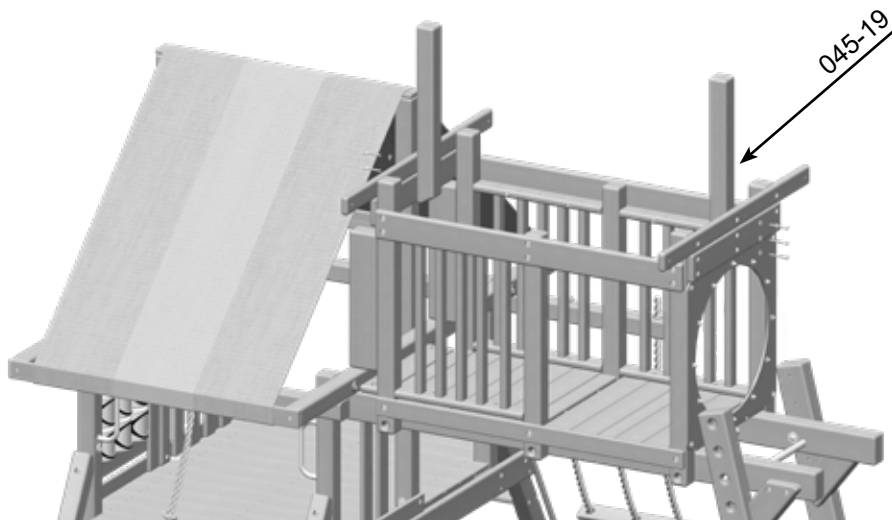
Universal Loft Tarp Install (Skip for Wood Roof Install)

PARTS NEEDED

- 045-19- Tarp Upright- (2)
- 045-11- Tarp Center- (1)
- 045-12- Tarp Side Facia- (2)

HARDWARE NEEDED

- A-7- 3/8" USS Flatwasher- (6)
- A-3- 3/8" x 3 1/2" Hex Lag Screw- (6)
- B- 2 1/2" Coated Deck Screw- (8)
- A-2- 1/4" x 4 1/2" Hex Lag Screw- (2)
- A-6- 1/4" USS Flatwasher- (2)



Universal Loft Tarp Install (Skip for Wood Roof Install)

PARTS NEEDED

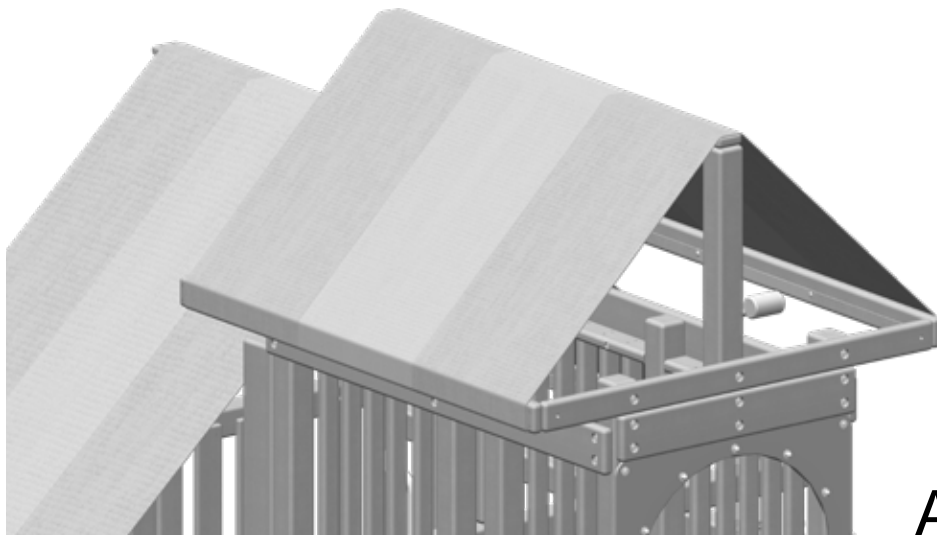
Loft Tarp w/ Hardware-

(1)

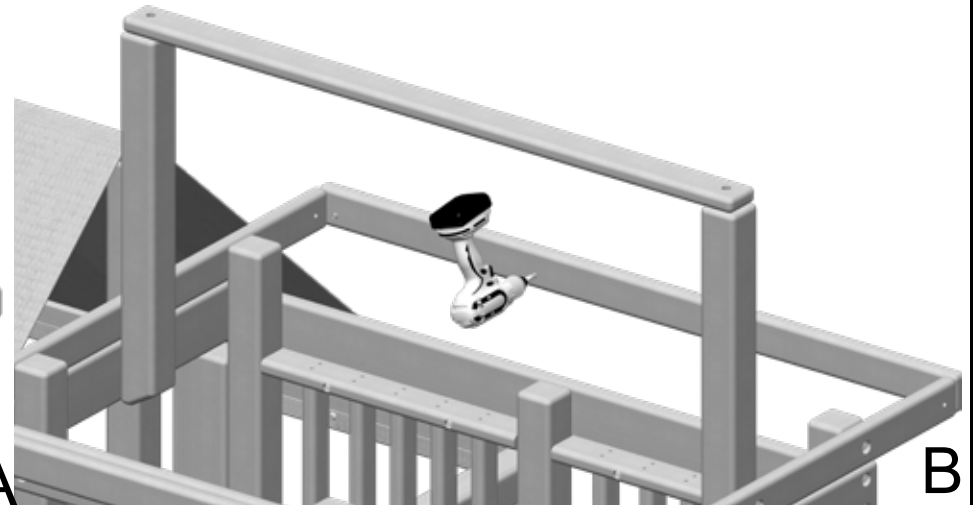
HARDWARE NEEDED

Phillips Screw Snaps-

(8)



A

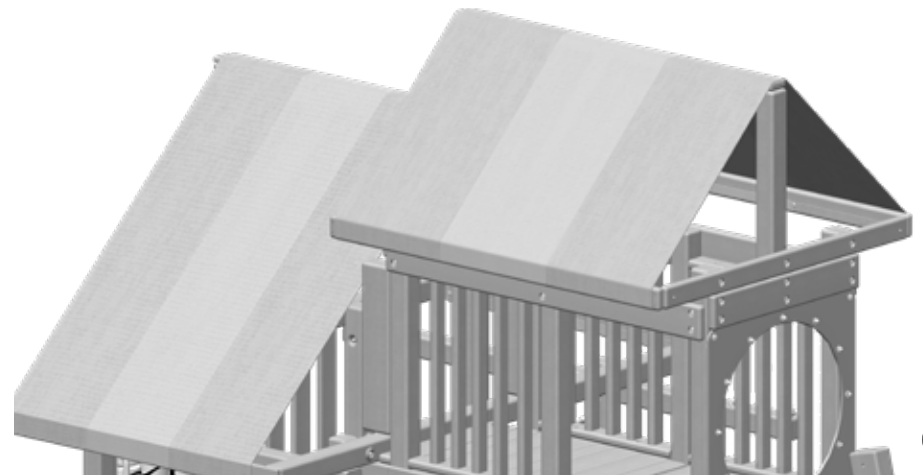


B

(Figure A.)- Take one corner of the VINYL TARP and place it flush in the corner. Tap the snap with a blunt object, leaving an indentation of the snap in the wood. Repeat this process until all the snaps have been indented in the wood on both sides of the Playcenter.

(Figure B.)- Using the indentions you just made with the snaps, take the 5/8" PHILLIPS SCREW SNAPS and drill one into each indention.

(Figure C.)- Take the corner of the VINYL TARP and start placing the snaps on the PHILLIPS SCREW SNAPS. Fold the VINYL TARP over the top of the UNIVERSAL TARP BOARD. Pull tight and place the snaps on the PHILLIPS SCREW SNAPS.



C

Universal Loft Wood Roof Install (Skip if Tarp Installed)

PARTS NEEDED

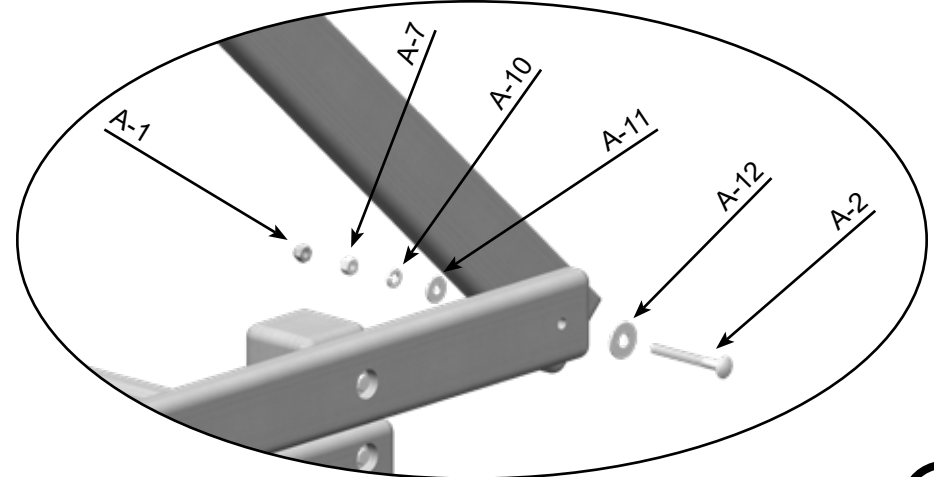
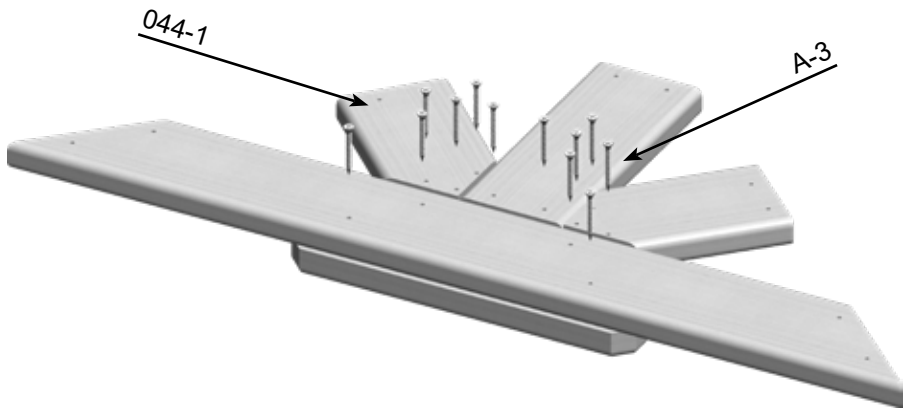
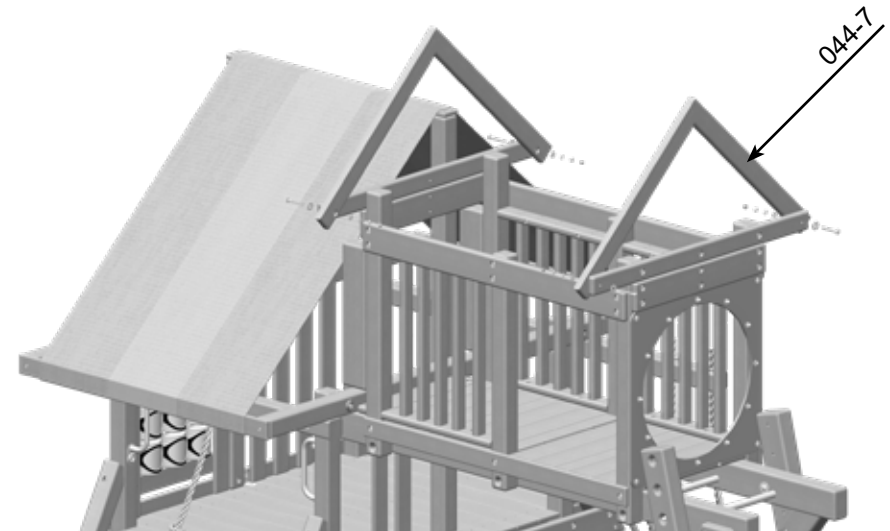
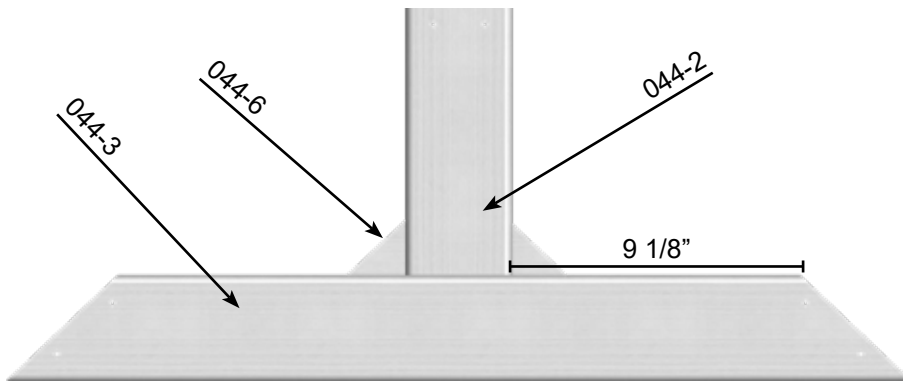
- 044-1- Short Fan Board- (4)
- 044-3- Bottom Fan Board- (2)
- 044-6- Fan Cap- (2)
- 044-7- Wood Roof Supports- (4)

- A-3- 1 1/2" Coated Deck Screw- (24)
- A-7- 3/8" Hex Nut- (4)
- A-11- 3/8" USS Flatwasher- (4)
- A-2- 3/8" x 3 1/2" Carriage Bolt- (4)

HARDWARE NEEDED

- A-1- 3/8" Acorn Nut Plated- (4)
- A-10- 3/8" Split Lockwasher- (4)
- A-12- 1/2" USS Flatwasher- (4)

Make 2 of these Assemblies



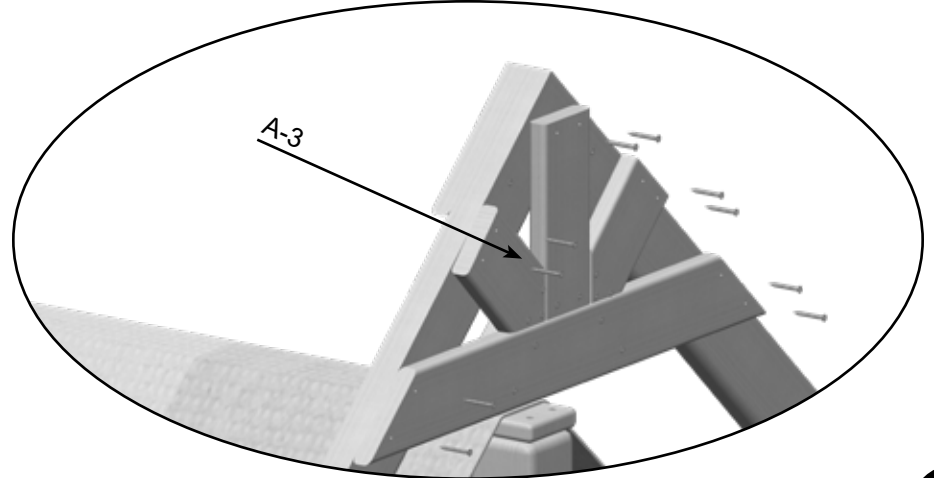
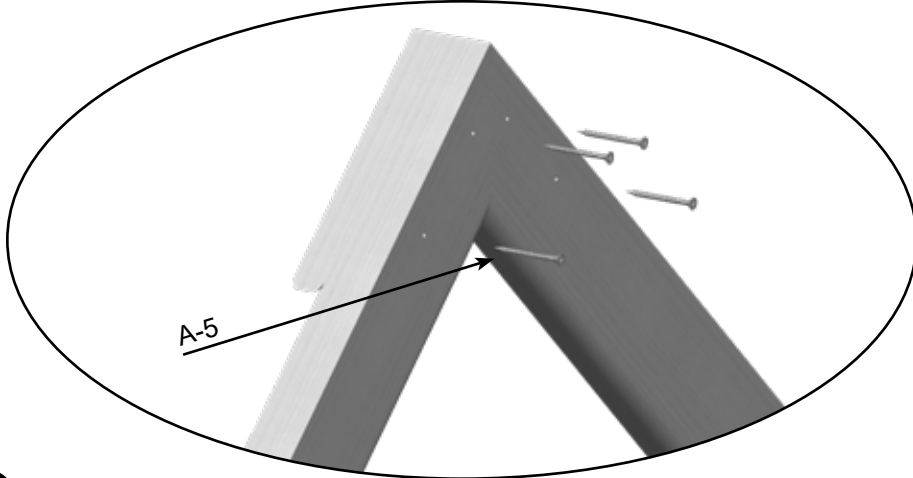
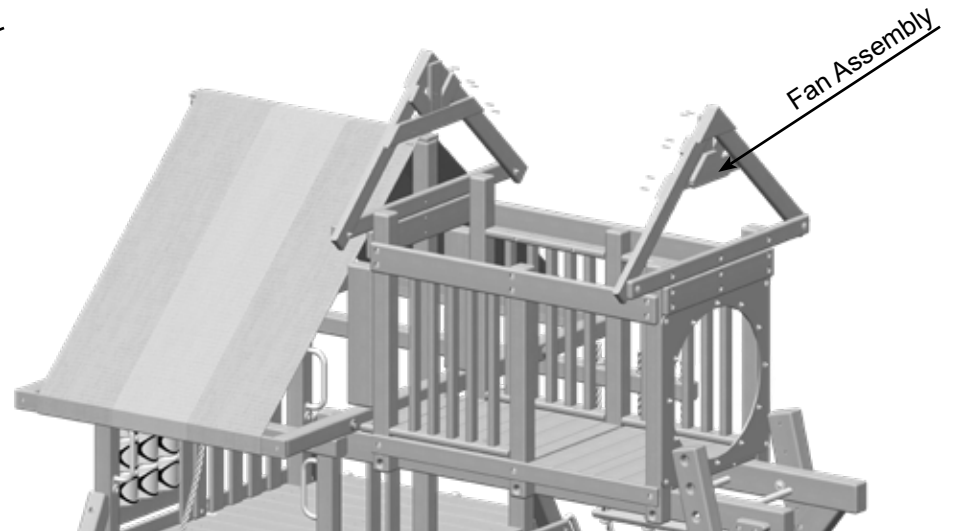
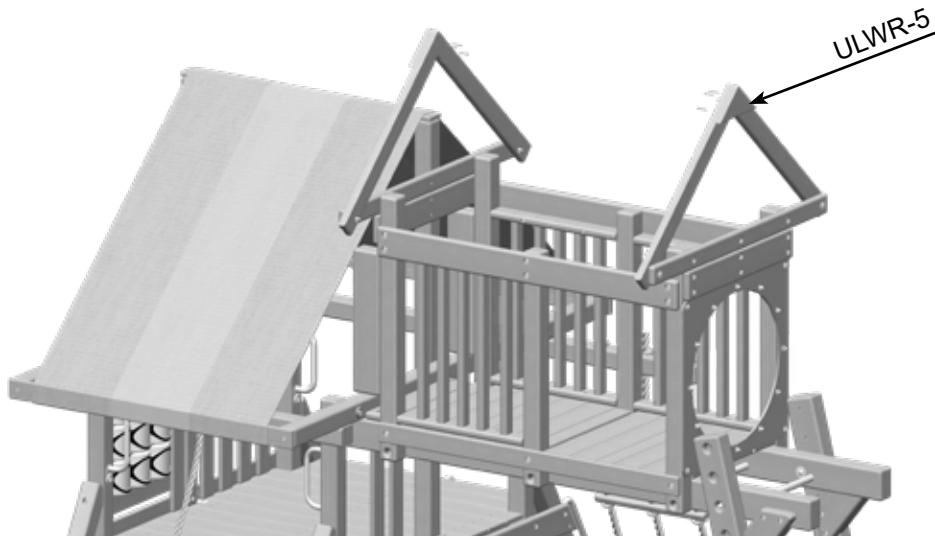
Universal Loft Wood Roof Install (Skip if Tarp Installed)

PARTS NEEDED

044-5- Peak Support- (2)
Wood Roof Fan- (2)

HARDWARE NEEDED

A-5- 2" Coated Deck Screw- (8)
A-3- 1 1/2" Coated Deck Screw- (20)



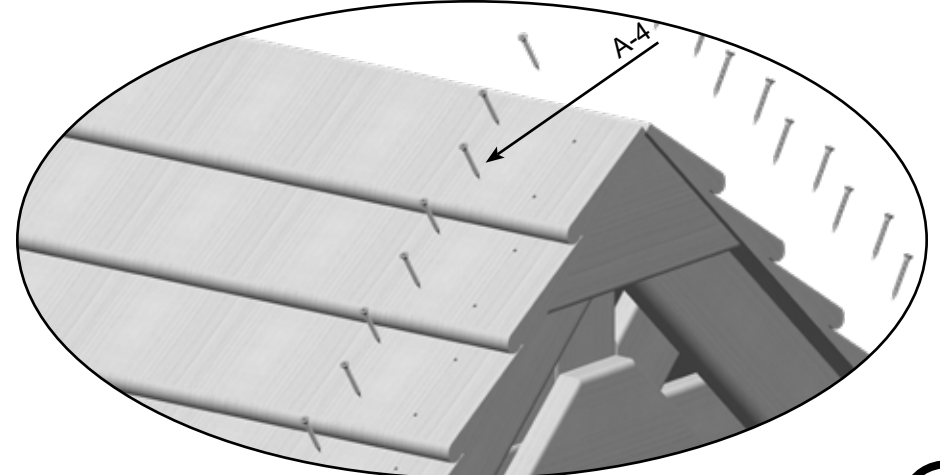
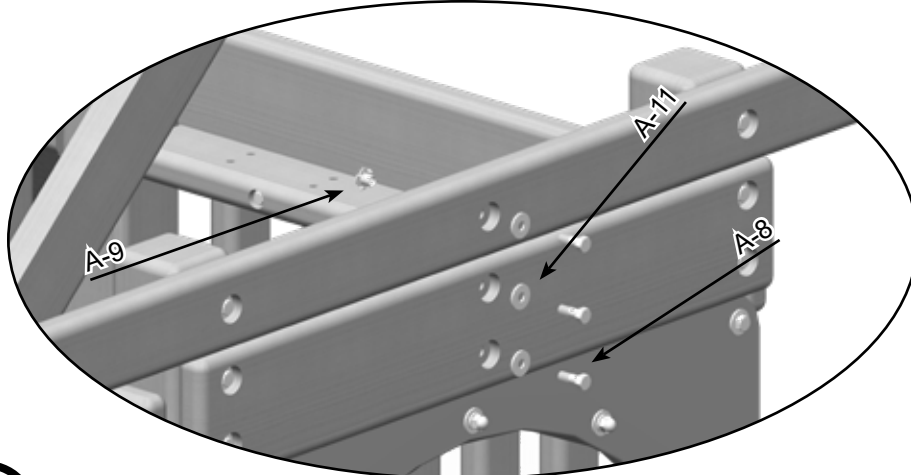
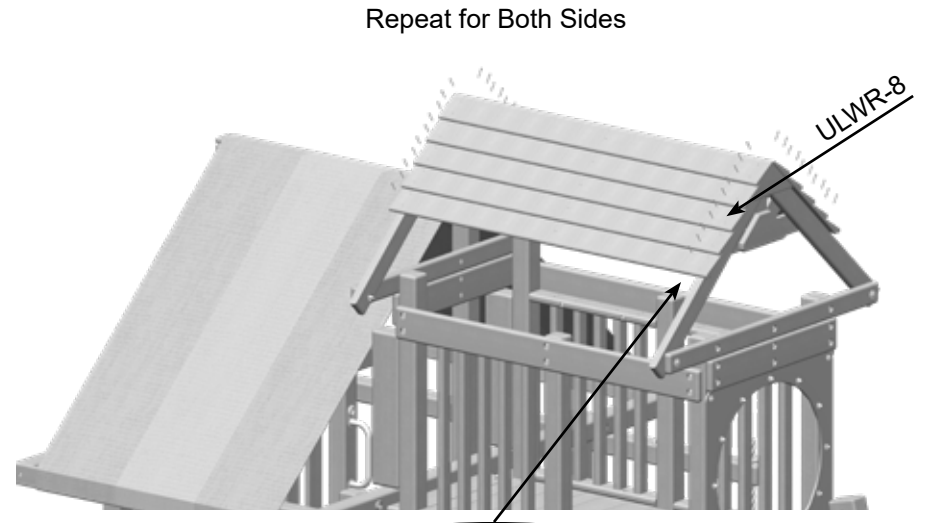
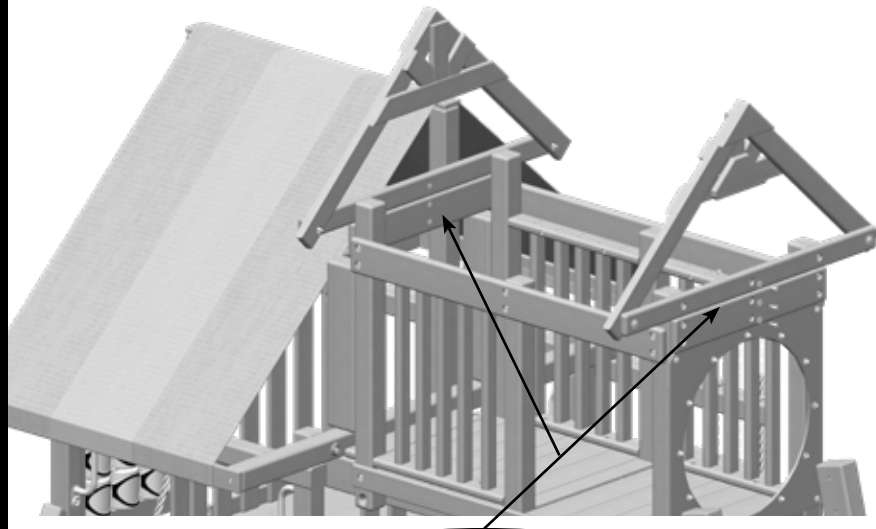
Universal Loft Wood Roof Install (Skip if Tarp Installed)

PARTS NEEDED

044-8- Wood Roof Board- (10)

HARDWARE NEEDED

A-9- 3/8" 4- Prong T-Nut- (6)
A-11- 3/8" USS Flatwasher- (6)
A-8- 3/8" x 1" Hex Bolt- (6)
A-4- 1 5/8" Coated Deck Screw- (40)



Universal Loft Wood Roof Install (Skip if Tarp Installed)

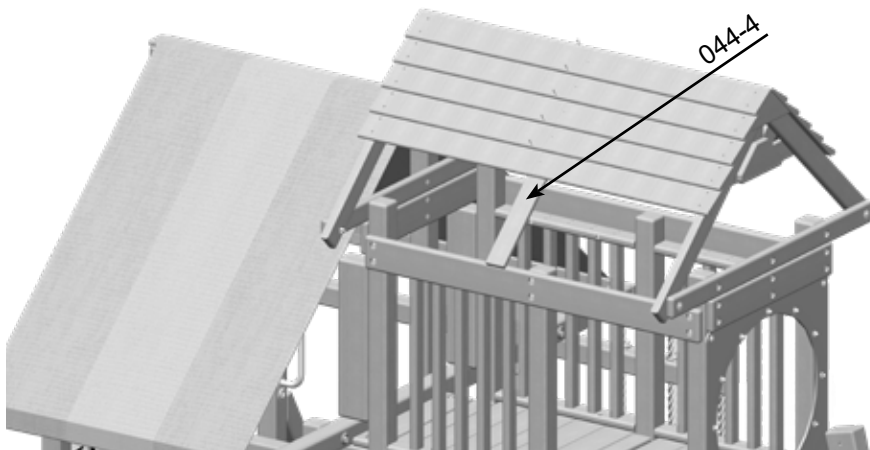
PARTS NEEDED

044-4- Center Support- (2)
044-8- Wood Roof Board- (8)

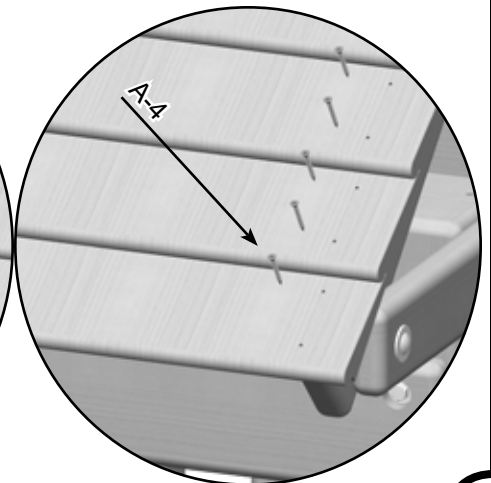
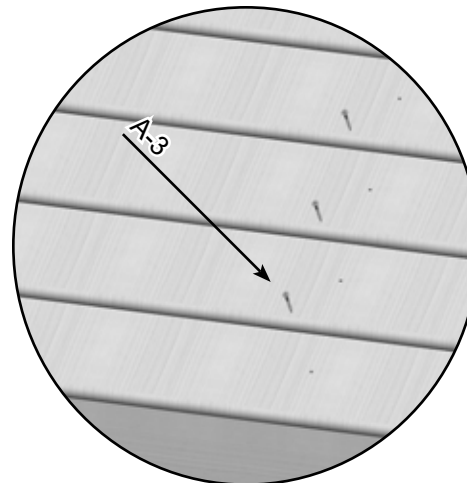
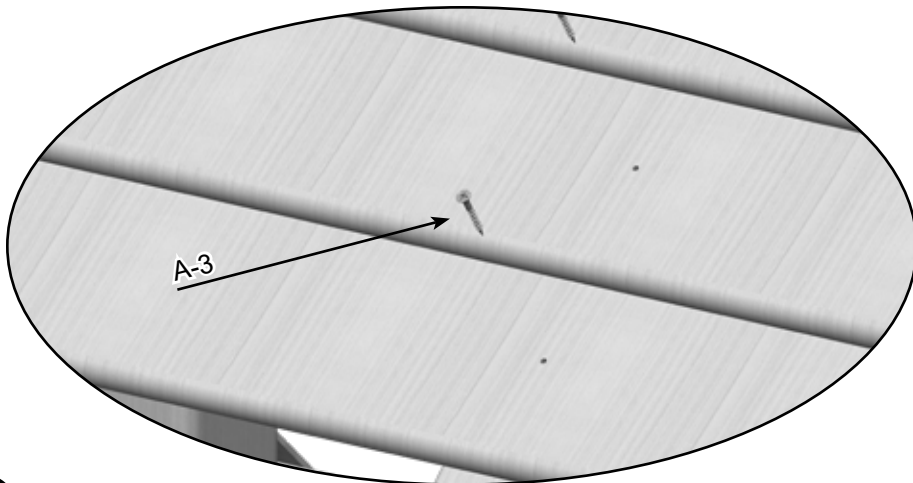
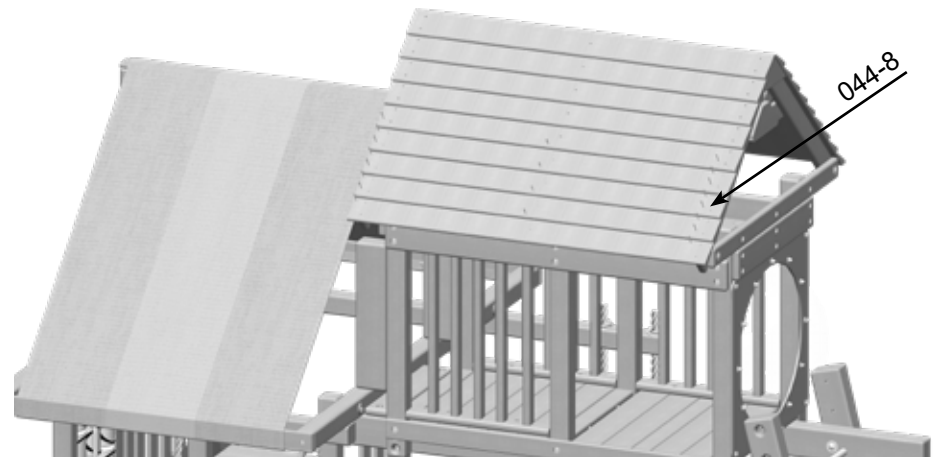
HARDWARE NEEDED

A-3- 1 1/2" Coated Deck Screw- (18)
A-4- 1 5/8" Coated Deck Screw- (32)

Repeat for Both Sides



Repeat for Both Sides



Universal Loft Install (For Spiral Install see Spiral Slide Install Manual)

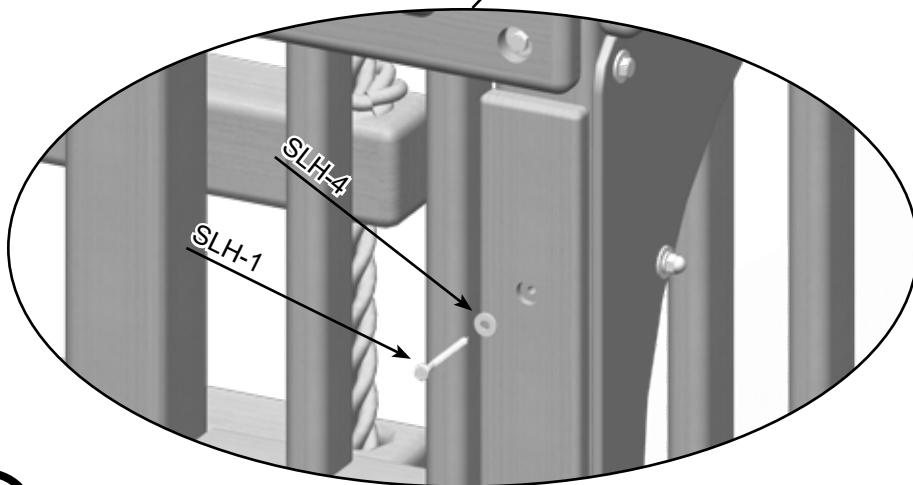
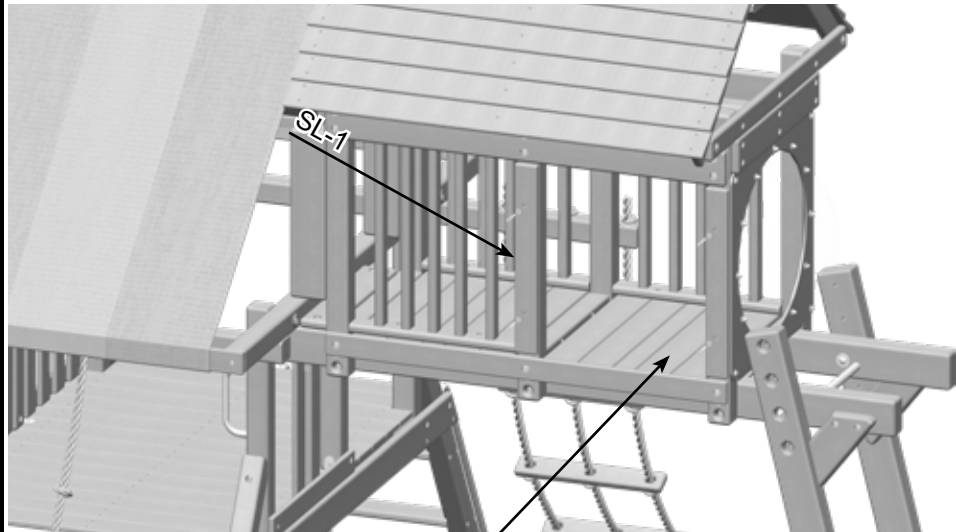
PARTS NEEDED

045-1- Spiral Slide Filler- (2)

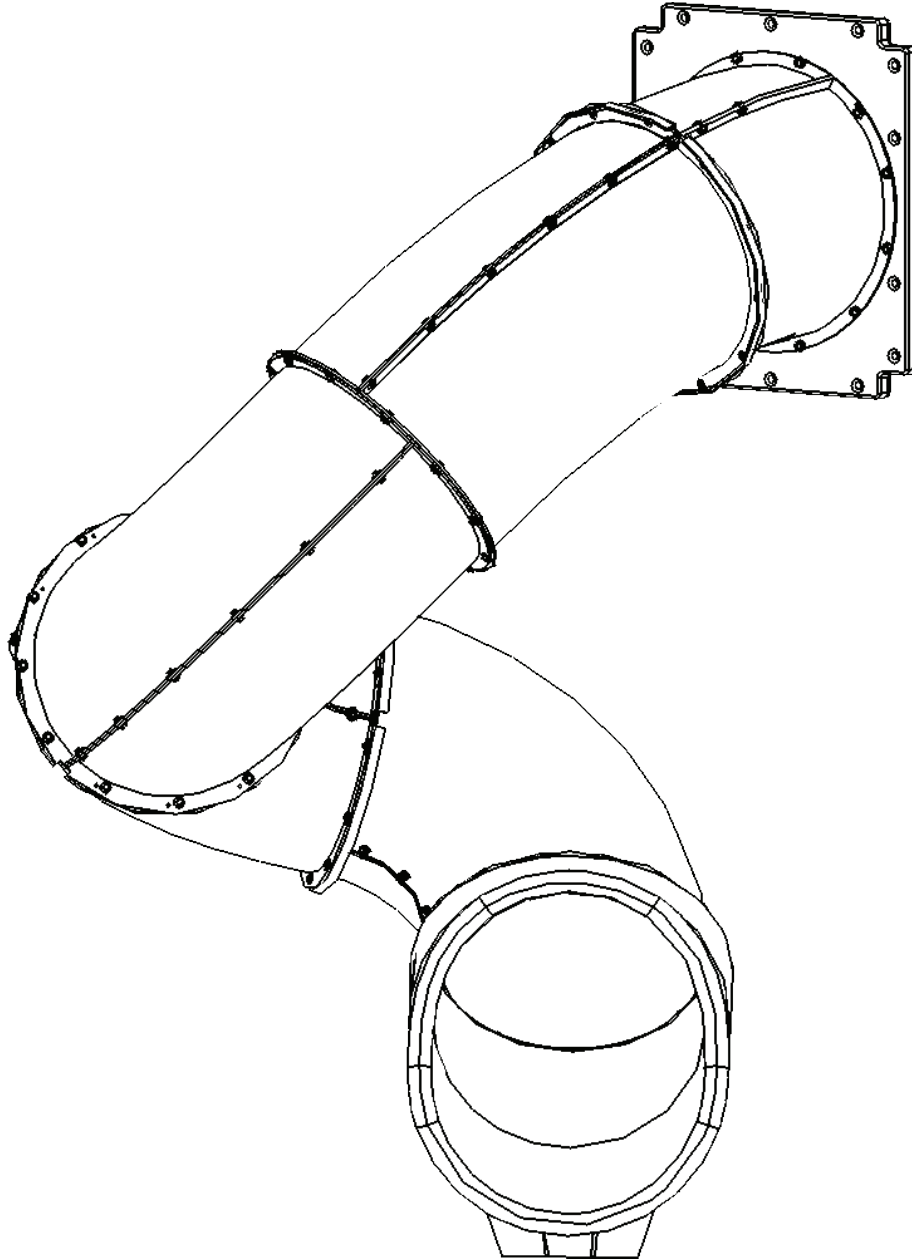
HARDWARE NEEDED

A-1- 1/4" x 3" Hex Lag Screw- (4)

A-6- 1/4" USS Flatwasher- (4)



Super 360 Spiral Slide Installation Manual



Version 1:19



4465 West Sam Houston Parkway N.
Houston, Texas 77041
WWW.TREEFROGSSHOWROOMS.COM

© 2019 KID STRUCTURES INC.

Sections

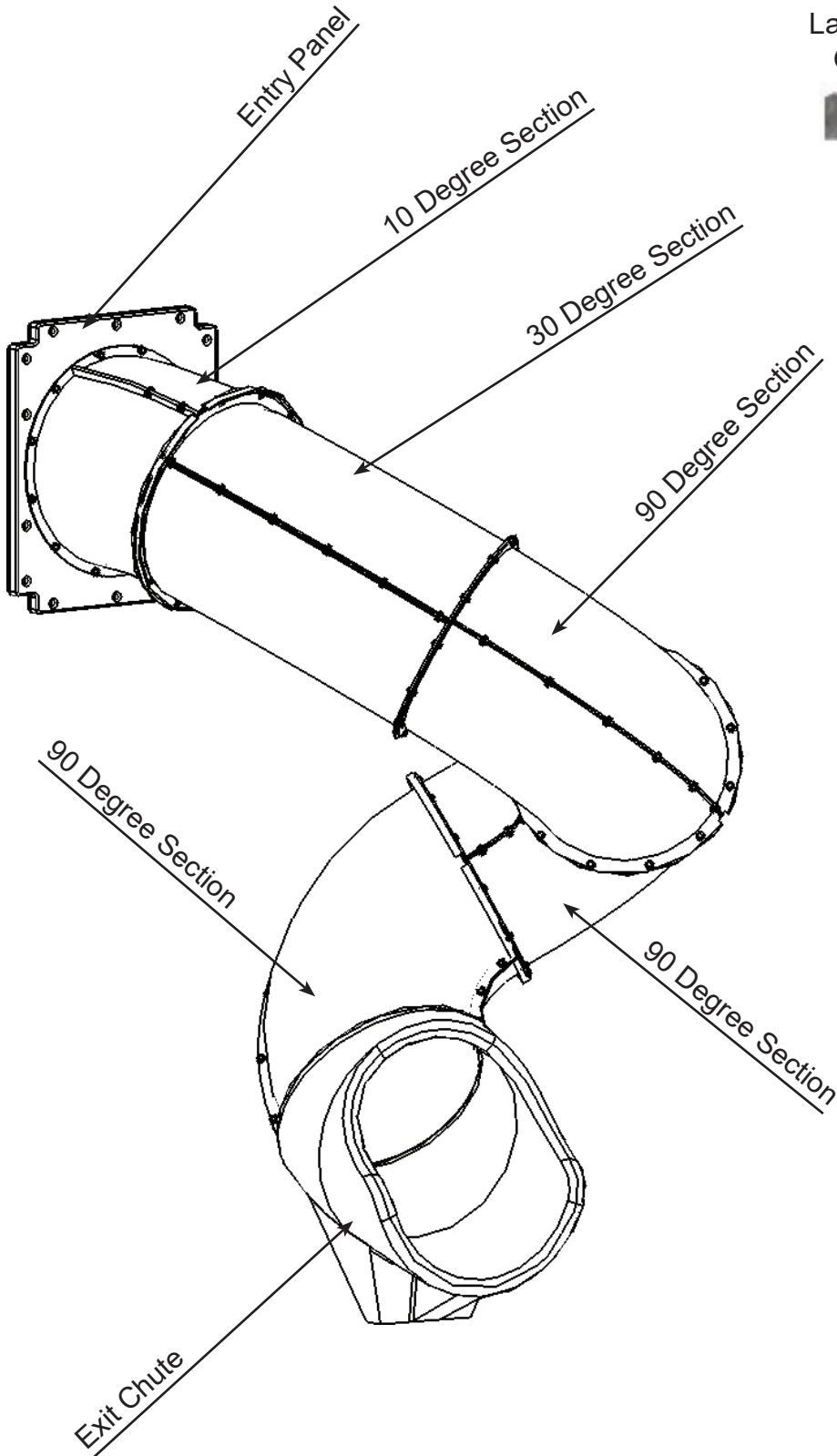
Page 1: Part List

Page 2: 5.8' Deck Height Assembly

Page 3: 5' & 7' Deck Height Assembly

Page 4: 6.5' Deck Height Assembly

PARTS



3/8" x 5"
Lag Screw
QTY. 2



5/16" x 1 1/2"
Lag Screw
QTY. 26



5/16" x 1"
Hex Bolt
QTY. 99



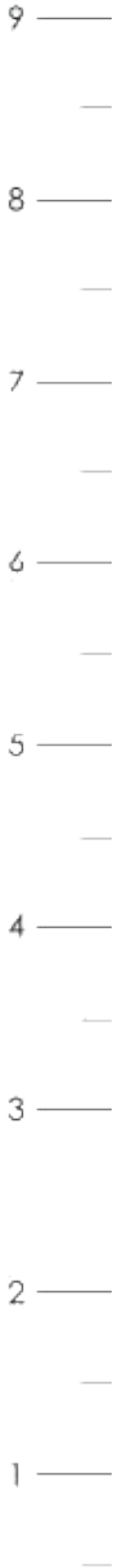
5/16"-18
Lock Nut
QTY. 97



5/16"
Flatwasher
QTY. 222

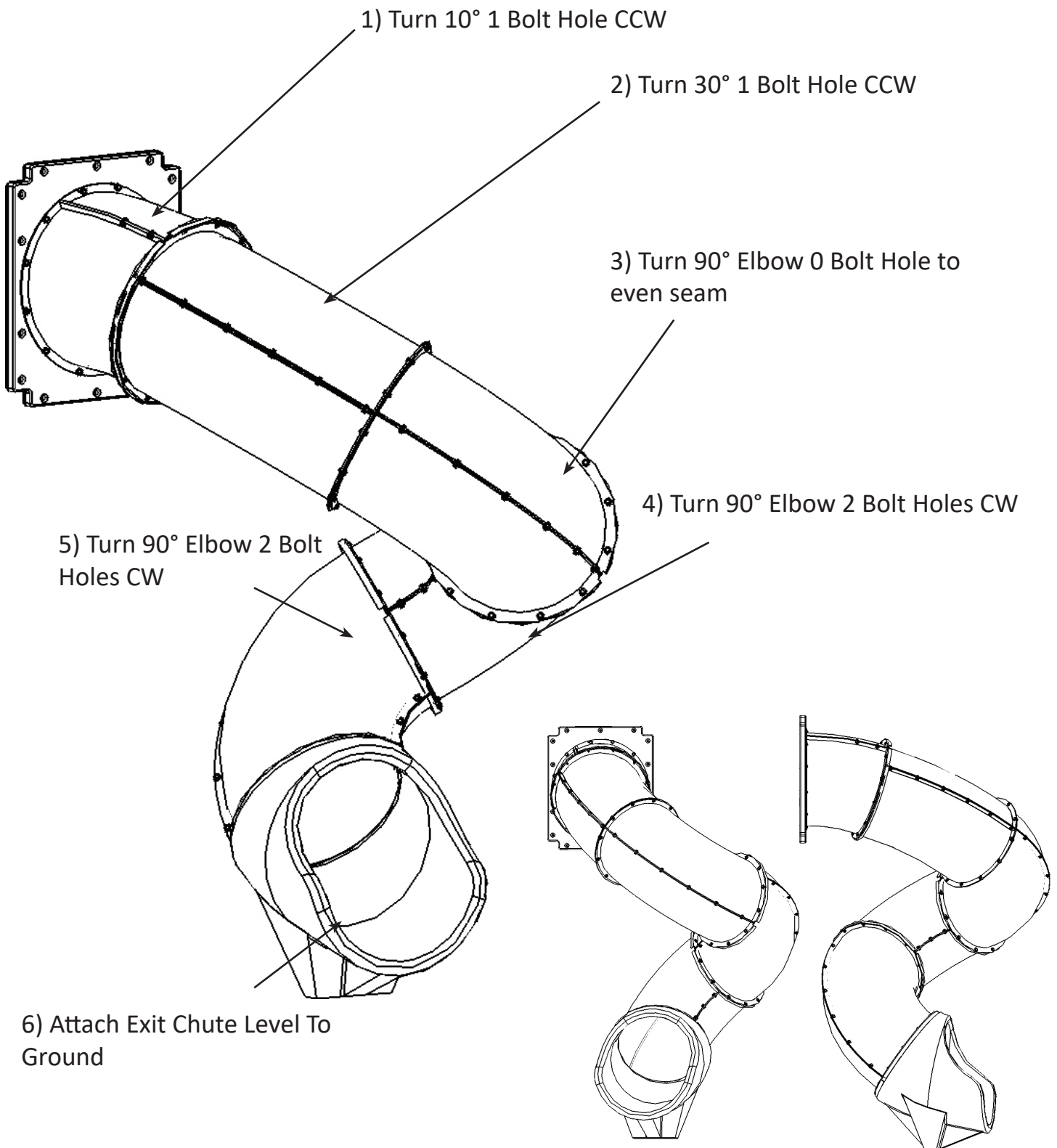


3/8"
Flatwasher
QTY. 2



Quick Reference Guide #1

For 5.8' Deck Height



NOTE: To spiral in the opposite direction, apply CW turns instead of CCW and vice versa. Turns may need to be adjusted depending on the level of the land.

Quick Reference Guide #2

For 5' & 7' Deck Heights

1) Turn 10° 1 Bolt Hole CW

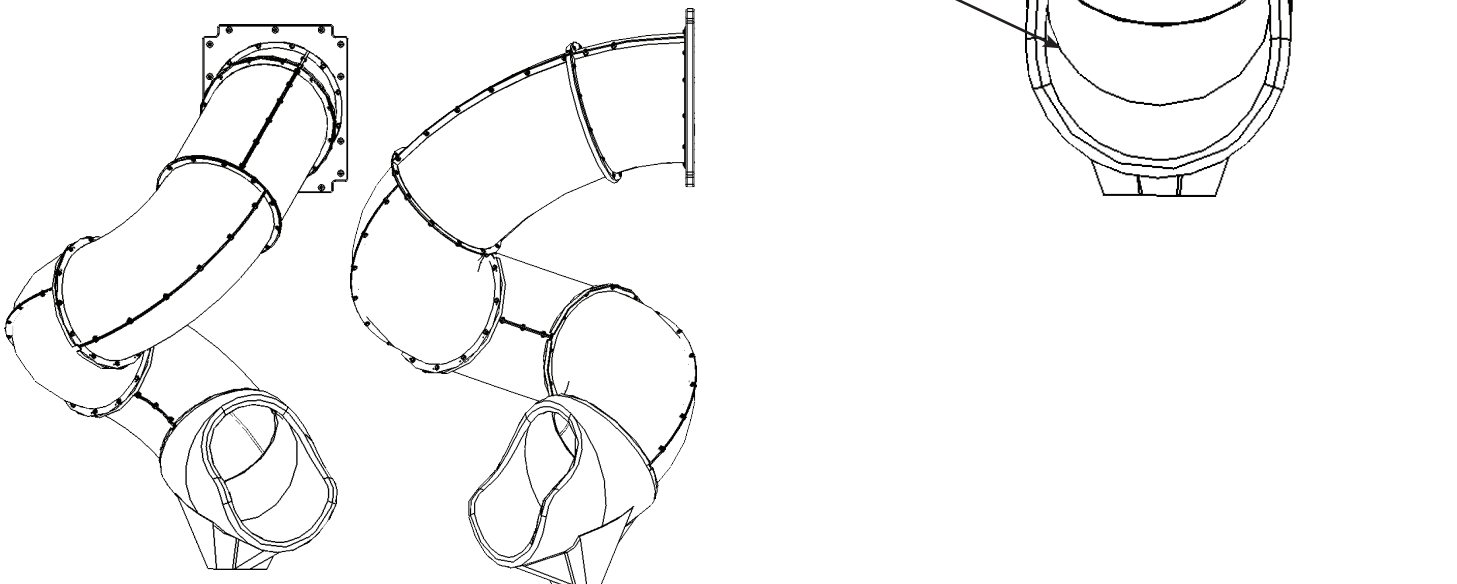
2) Turn 30° 0 Bolt Hole With Even Seem

3) Turn 90° 1 Bolt Hole CW

4) Turn 90° Elbow 2 Bolt Holes CCW

5) Turn 90° Elbow 2 Bolt Holes CW

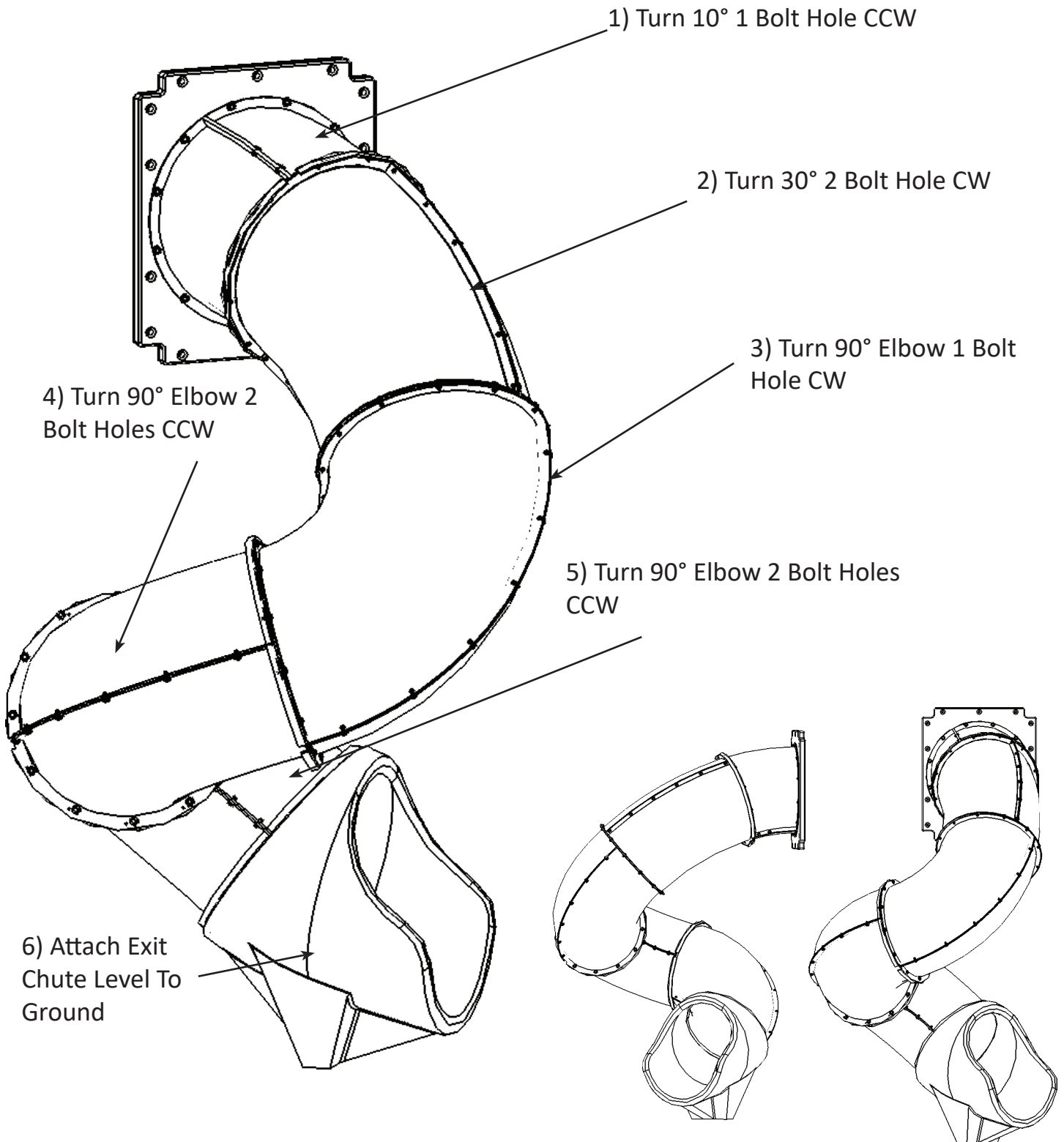
6) Attach Exit Chute Level To Ground



NOTE: To spiral in the opposite direction, apply CW turns instead of CCW and vice versa. Turns may need to be adjusted depending on the level of the land.

Quick Reference Guide #3

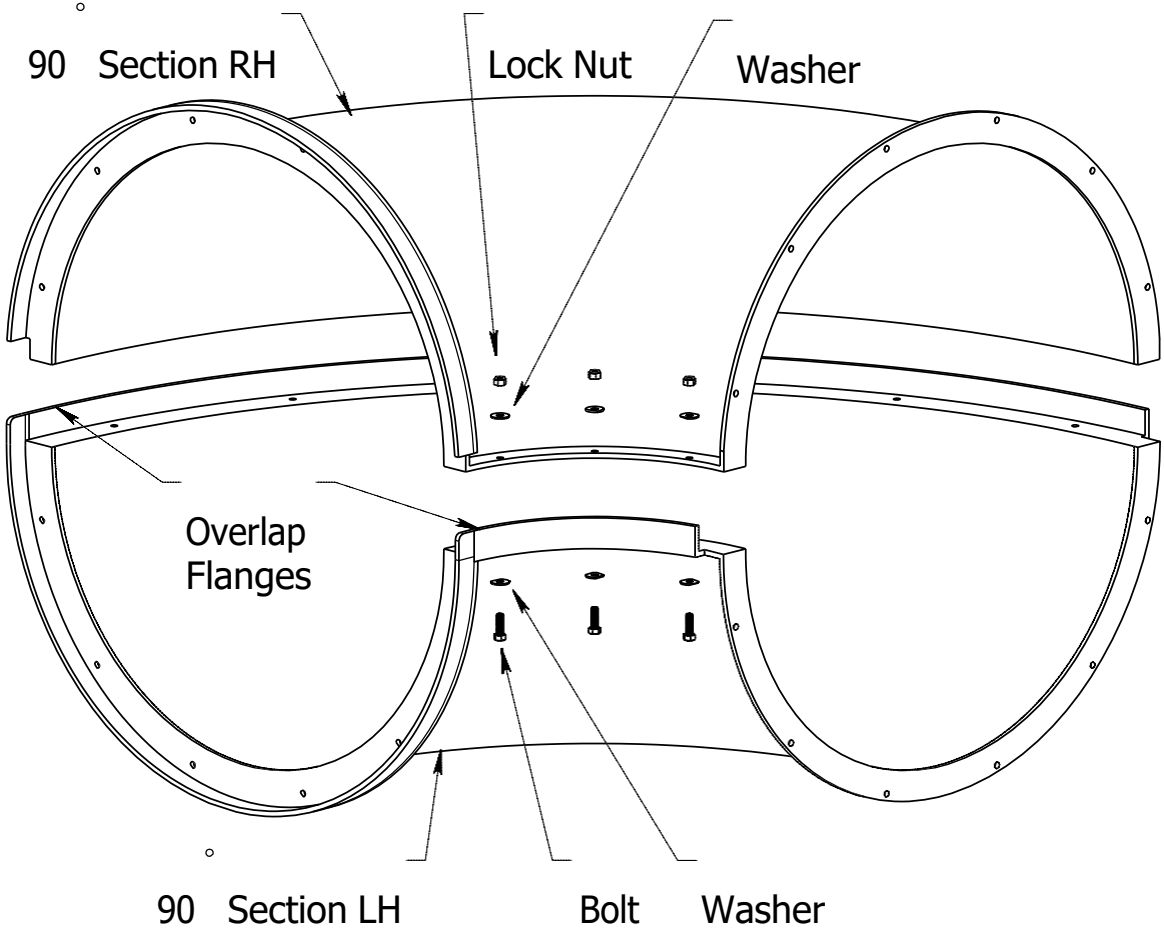
For 6.5' Deck Height

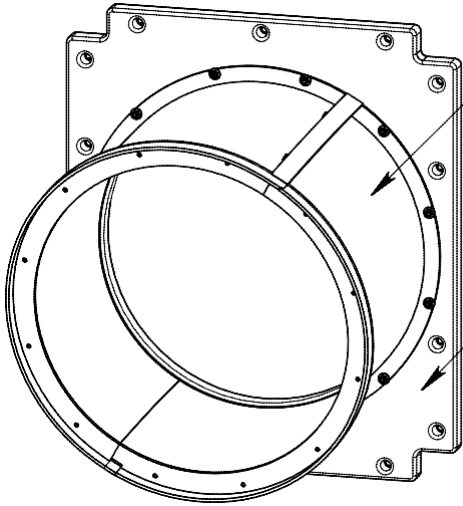


NOTE: To spiral in the opposite direction, apply CW turns instead of CCW and vice versa. Turns may need to be adjusted depending on the level of the land.

Step #1

Assemble the Elbow Section Halves together with the hardware as shown. Note the position of the Overlap Flanges in relation to the direction of the Bolts.



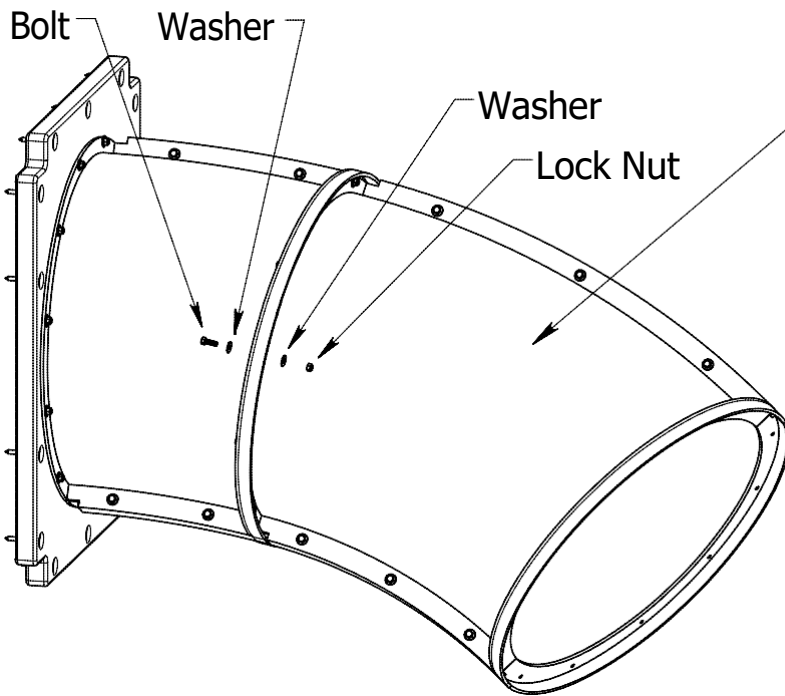


Step #2

Using Nuts, Washers and Bolts, attach the 10 ° Elbow to Entry Panel in the "Quick Reference" orientation.

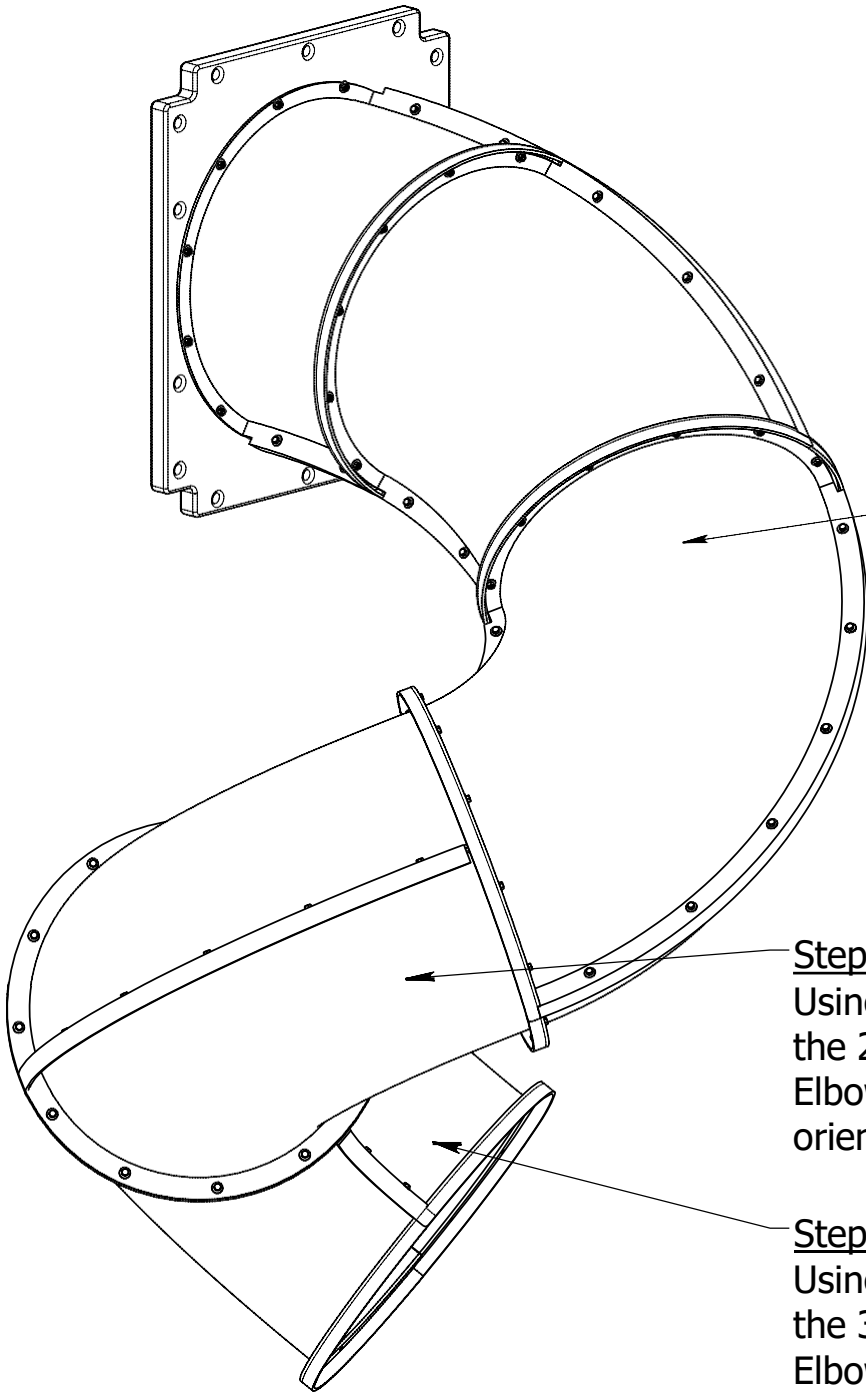
Step #3

After properly blocking the slide entrance on the playset, attach the Entry Chute/first Elbow assembly to the playset with the Lag Screws and Washers provided.



Step #4

Using Nuts, Washers and Bolts, attach the 30 ° Elbow to the previous Elbow in the "Quick Reference" orientation.



Step #5

Using Nuts, Washers and Bolts, attach the 90 ° Elbow to the previous Elbow in the "Quick Reference" orientation.

Step #6

Using Nuts, Washers and Bolts, attach the 2nd 90 ° Elbow to the previous Elbow in the "Quick Reference" orientation.

Step #7

Using Nuts, Washers and Bolts, attach the 3rd 90 ° Elbow to the previous Elbow in the "Quick Reference" orientation.

Step #8

Place the end of the Exit Chute up against the last Elbow Section and make it level with the ground. If any of the last Elbow bolt holes line up with the Exit Chute attach with Bolts and Washers (possibly 2 Places). For all the holes that don't line up attach with Lag Screws and Washers. (as many as 12 places) Start each Bolt by hand before tightening. Be careful not to overtighten the Lag Screws into the soft plastic.

