



Wooden Swing Set Factory

AMERICA'S BEST VALUE IN SWING SETS.™

# Parrot Island Fort Install Manual

Version 3.16



## Tools Needed for Assembly

Tape Measure	24" Level	Angle Square
Phillips Screw Driver	3/8" Cordless Drill or Electric Drill	3/8" Drive Ratchet or Electric Impact Gun
Claw Hammer or Rubber Mallet	Pliers or Vise Grips	7/16" Deep Well Socket
9/16" Deep Well Socket	3/4" Deep Well Socket	1/8", 1/4", and 9/16" Drill Bits
Phillips Head Screw Bits	An Adult with two Adult Helpers	

Please familiarize yourself with the install manual, parts/components and general construction process of your new swing set before getting started. Approximate assembly time: 6 to 8 hours. 6 foot unobstructed safety perimeter around swing set recommended.

## Choosing A Location For Your Playset

When choosing a location for your swing set, always keep your child or children's safety in mind. Here are some recommendations to help you locate and install a safe play area.

- This play set is designed for the use of 4 occupants who have a combined weight not exceeding 800 pounds on the elevated floor; 3 occupants who have a combined weight of 525 pounds on the swing area; for a total Unit capacity of 5 occupants who have a combined weight of 1325. (this weight is not including the picnic table area)
- On-site adult supervision is required.
- The swing set should be located on level ground. The stationary components such as ladders and slides are required to be a minimum of six feet from any structure or obstruction such as a fence, garage, house, tree, overhanging branches, electrical wires, clotheslines, etc. Any swinging equipment is also required to be a minimum distance twice the height of the swing beam away from these obstructions or structures as well. The swing set should be located a safe distance from any water hazards, such as a lake, river, bayou, swimming pool, etc.
- Do not install this residential swing set in a commercial setting. This swing set is not manufactured for commercial usage and will void all warranties. Tree Frogs Wooden Swing Set Factory is not responsible for any damages or injuries resulting from this swing set being used in a commercial setting.
- Never install this swing set indoors; or over concrete, asphalt, packed earth, grass, carpet or any other hard surface. A fall onto a hard surface can result in serious or fatal injury.
- The U.S. Consumer Product Safety Commission (CPSC) recommends that you install and maintain a resilient surface under your swing set. The CPSC's Consumer Information Sheet for Playground Surfacing Materials is on the next page. A resilient surface, should be installed after the swing set has been completely assembled according to these instructions. The swing set must rest on solid ground. Please note that this swing set has a maximum fall height of 7'.

## Maintaining Your Swing Set

Here are some maintenance tips required to insure safe play on your swing set for years of fun.

- At the beginning of each usage season and every two weeks during, check: nuts and bolts and tighten as needed, swing seats, chains, ladders, slides, rope and wood components for sign of deterioration and replace if necessary.
- On a yearly basis, we recommend that you coat your swing set with a sealant or preservative. You may also want to spot sand any areas prior to sealing.

\*\* Special note: Although we recommend that you reseal your swing set annually, you may have to touch up the high traffic areas and/or areas that have a high exposure to direct sunlight.\*\*

- Be sure that the sealant you select is non-toxic and child safe. Your local Tree Frogs Wooden Swing Set Factory dealer may offer a complete power wash and reseal and maintenance program.
- Do not use line trimmers or "weed eaters" around your swing set. The line will remove both paint and wood from uprights and base pieces. Any damage resulting from this type of abuse is not covered under our limited warranty.
- Remove plastic swing seats and take in doors or do not use when temperature drops below 0°F.

## Weight Limits for Tree Frogs Swing Sets

Fort Platform: 800 Lbs. Total Weight

Swing Belts: 175 Lbs.

Trapeze: 125 Lbs.

Full Bucket Swing: 50 Lbs.

Toddler Bucket Swing: 50 Lbs.

Tire Swing: 125 Lbs. Total Weight

Rope Ladder: 75 Lbs.

Rock Wall: 150 Lbs.

All Slides: 125 Lbs.

Tree Frogs recommends that the weight limits for all components must not be exceeded. Failure to adhere to these and other safety guidelines could result in damage to the swing set and/or injury to the users.

**Please keep this install manual for future reference.**

## To insure SAFE PLAY adults must teach children:

- Not to walk close to, in front of, behind, or between moving items.
- Not to swing empty swing seats.
- Not to swing sideways into the path of adjacent swings.
- Not to use the swing set in a manner other than that for which it is intended.
- Not to get off the equipment while it is in motion.
- Not to jump off the tower.
- Not to stand in the swing seats.
- Not to swing so high that chains become slack, or above the height of the swing support.
- Not to jump on a slide.
- Not to climb on top of the swing support.
- Not to attach to the swing set any item that is not specifically designed for use with the equipment, such as (but not limited to) jump ropes, clotheslines, pet leashes, cables, and chains. These may become strangulation hazards.
- To hold on to swings and climbers with both hands.
- To slide feet first, never head first.
- To watch for other children while swinging or playing near the swing set.

## To also insure SAFE PLAY adults must:

- Limit climbing and swinging heights to each child's ability.
- Verify that suspended climbing ropes are secured at both ends.
- Verify that suspended climbing ropes cannot be looped back on themselves.
- Dress children appropriately for play. Use well-fitted shoes that do not have slippery soles.
- Avoid ponchos, scarves, hoods, loose fitting clothing, neckties, and any clothing with a drawstring. Serious injury could result should any part of the children's clothing become entangled in the swing set.
- Do not allow children to play wearing helmets.
- Remember that children are inventive. When they develop games that are unsafe, be alert and change the rules.

## IMPORTANT - PLEASE READ

As fresh lumber acclimates to its new environment, the natural tendencies of the tree can show itself in the form of checks, or "cracks" in the lumber. In almost all cases this is normal and it will not affect the structural integrity of your play set.

Cosmetic defects that do not affect the structural integrity of the product, or natural defects of wood such as warping, checking or any other physical properties of wood that do not present a safety hazard, are not covered by this warranty.

Defects that develop because the product is exposed to extreme climate conditions are not covered by this warranty.

Defects that develop as a result of faulty or improper installation of the product are also not covered by this warranty.

Most cracks are not warrantable, however if you believe that the integrity of your play set is compromised by this natural occurrence, please contact the Tree Frogs Swing Set Dealer that you purchased your swing set from.

We appreciate your purchase and know that you will enjoy your play system for many years to come.

## Pre-Assembly Hints

- Depending on your experience, assembly of our play sets can take as little as 6 hours up to 24 hours, depending on size, after inventory of parts; therefore, we recommend you set aside a full two days for assembly.
- Identify all of the parts for your play set. Empty each box and lay out boards so you can see each part. Your instruction book will have detailed drawings that will make it easy for you to recognize individual parts. Keep all hardware and metal parts separate from wooden pieces.
- After everything is laid out, check carefully to ensure all parts are present. Make sure there are no broken boards.
- Find an area to sort your hardware. It is best to open the hardware on a solid surface so that you do not lose any pieces in the grass. This will save time and familiarize you with all the different pieces in the hardware bag.

**\*\*Important note:** Wood has some natural defects such as knots, surface cracks, etc... We reject parts that are structurally defective. We use a high quality lumber in our structures; however, you should inspect each part for splinters or rough spots and sand them smooth to prevent injury.\*\*

- After familiarizing yourself with all of the components, read all instructions thoroughly. Reading instructions after you have studied the parts will help you understand more clearly the installation process, and help to eliminate unnecessary mistakes.
- Pay close attention to the diameter and length of each bolt and screw.
- Never tighten hardware completely at first. It helps to have some adjustment for bolt alignment while you are attaching parts together. After everything is square, tighten each joint.
- After the main unit is assembled it is critical that the floor is level and square. If the main frame is not level, the walls and floor will be out of square.
- After you complete installation, make sure every bolt, screw, and nut is tight, and every board is secure. Wood will expand and contract with the seasons.
- Place the set on level ground, not less than 6ft from any structure or obstruction such as a fence, garage, house, overhanging branches, laundry lines, or electrical wires.
- All 1/4" and 3/8" lag bolts must have pre-drilled holes 1-1/2" to 2" deep. Use a 1/8" drill bit for the 1/4" lag bolts and 1/4" drill bit for 3/8" lag bolts. Use pre-drilled holes in facias as a reference for placing lag bolt pilot holes.
- If a board lifts or rises causing a gap between boards when running in lag bolts or screws, back out the screw or lag bolt and press or apply pressure (but not enough to crack or break board) while re-running in the lag bolt or screw in the same hole.
- Do not over tighten bolts, lag bolts or screws. You can damage boards, break hardware, and/or strip out the hardware.
- When using hammer do not beat on the hardware, but gently tap it in. Never beat on the wood as it will leave marks.

## Leveling Your Swing Set During Assembly

- Complete the steps which will be the basic frame of the fort {i.e. four corner posts with base (sand box boards) and deck supports}
- Position in the most level area chosen for the play set, keeping in mind the location and size of the swing beam, ladder, slides, etc. that extend off the fort.
- Once the frame is in the final position, check for vertical and horizontal levelness to determine which side(s) will need to be dug into the ground to level the play set.
- With a shovel, score the ground around the outside edges of the sandbox boards on the 'high' side of the fort. This is the area that will be dug in. Make sure to score deep enough; the scored lines will be your digging template.
- Push the frame off and away from the scored area, far enough to dig and remove dirt to reach the appropriate depth.
- Dig a channel along the scored line(s) for the base of the fort (corner post and sandbox boards) to rest into. Dig the channel(s) to the same level depth. The bottom of the channel(s) should be level to each other so your frame doesn't teeter or rock because the channel(s) are uneven.
- Once you have removed enough grass and dirt, slide/push the frame into the channel(s). Place a level on the vertical and horizontal boards of the frame to determine if enough soil, or too much, was removed.
- Repeat this process until the basic frame is plumb and level and in its final position before completing the rest of the assembly.
- Measure to make sure fort is square.

**\*\* Important:** if you require a channel depth of more than 6", then we recommend you have your play set area professionally graded before completing assembly. \*\*

## CONSUMER INFORMATION SHEET FOR PLAYGROUND SURFACING MATERIALS

The U.S. Consumer Product Safety Commission (CPSC) estimates that about 100,000 playground equipment related injuries resulting from falls to the ground surface are treated annually in U.S. hospital emergency rooms. Injuries involving this hazard pattern tend to be among the most serious of all playground injuries, and have the potential to be fatal, particularly when the injury is to the head. The surface under and around playground equipment can be a major factor in determining the injury-causing potential of a fall. It is self-evident that a fall onto a shock-absorbing surface is less likely to cause a serious injury than a fall onto a hard surface. However, it should be recognized that some injuries from falls will occur no matter what playground surfacing material is used.

Playground equipment should never be placed on hard surfaces such as concrete or asphalt. Grass may appear to be acceptable, but can turn to hard packed earth in areas of high traffic. Shredded bark mulch, wood chips, or fine gravel are considered to be acceptable shock absorbing surfaces when installed and maintained at a sufficient depth under and around play equipment.

TABLE 1 -CRITICAL HEIGHTS (in feet) OF TESTED MATERIAL

MATERIAL	UNCOMPRESSED DEPTH			COMPRESSED DEPTH
	6 Inch	9 Inch	12 Inch	9 inch
Wood Chips	7	10	11	10
Double Shredded Bark Mulch	6	10	11	7
Engineered Wood Fibers	6	7	>12	6
Fine Sand	5	5	9	5
Coarse Sand	5	5	6	4
Fine Gravel	6	7	10	6
Medium Gravel	5	5	6	5
Shredded Tires**	10-12	N/A	N/A	N/A

\*\* This is data from tests conducted by independent testing laboratories on a 6 inch depth of uncompressed shredded tire samples produced by four manufacturers. The test reported critical heights, which varied from 10 feet to greater than 12 feet. It is recommended that persons seeking to install shredded tires as a protective surface request test data from the supplier showing the critical height of the material when it was tested in accordance with ASTM F1292.

Table 1 should be read as follows: If, for example, uncompressed wood chips are used at a minimum of 6 inches, the Critical Height is 7 feet. If 9 inches of uncompressed wood chips are used, the Critical Height is 10 feet. It should be noted that, for some materials, the Critical Height decreases when the material is compressed. It is recommended that a shock absorbing material should extend a minimum of 6 feet in all directions from the perimeter of stationary equipment such as climbers and slides. However, because children may deliberately jump from a moving swing, the shock absorbing material should extend in the front and rear of a swing a minimum distance of 2 times the height of the pivot point measured from a point directly beneath the pivot on the supporting structure.

This information is intended to assist in comparing the relative shock-absorbing properties of various materials. No particular material is recommended over another. However, each material is only effective when properly maintained. Materials should be checked periodically and replenished to maintain correct depth as determined necessary for your equipment. The choice of a material depends on the type and height of the playground equipment, the availability in your area, and its cost.

This information has been extracted from the CPSC publications “Playground Surfacing-Technical Information Guide” and “Handbook for Public Playground Safety.” Copies of these reports can be obtained by sending a postcard to:

Office of Public Affairs  
U.S. Consumer Product Safety Commission  
Washington, D.C. 20207  
Toll-free Hotline: 1-800-638-2772 or at <http://www.cpsc.gov>

# Parrot Island Fort- Base Lumber

Item No.	Board Length	Part Description	QTY.
PFB-1	9"	SMALL CORNER FACIA	2
PFB-2	11 5/8"	PICNIC SEAT SUPPORT	2
PFB-3	16"	TIC TAC TOE PANEL BOARD	2
PFB-4	25"	SPINDLE	14
PFB-5	26 3/8"	PICNIC TABLE SUPPORT	1
PFB-6	31 13/16"	CORNER FACIA	2
PFB-7	36"	BLANK ROCKWALL BOARD	7
PFB-8	36"	ROCKWALL BOARD W/ ROPE HOLE	1
PFB-9	51 1/8"	DECK SUPPORT	1
PFB-10	51 1/8"	CENTER TARP BOARD	1
PFB-11	51 1/8"	END TARP BOARD	2
PFB-12	53 1/2"	SHORT DECK BOARD	4
PFB-13	60 1/4"	SLIM-DECK BOARD	4
PFB-14	36"	ROCKWALL BOARD W/ ROCK HOLES	7
PFB-15	51 1/8"	SHORT 4- HOLE FACIA	4
PFB-16	60 1/4"	6- HOLE FACIA	2
PFB-17	60 1/4"	4- HOLE FACIA	2
PFB-18	60 1/4"	6- HOLE DECK FACIA	2
PFB-19	60 1/4"	DECK BOARD	14
PFB-20	18"	GUSSET	8
PFB-21	22"	LADDER STEP	5
PFB-22	23 3/4"	LADDER FACIA	1
PFB-23	51 1/8"	PICNIC MAINBEAM	4
PFB-24	65 3/4"	RIGHT LADDER LEG	1
PFB-25	65 3/4"	LEFT LADDER LEG	1
PFB-26	65 3/4"	ROCKWALL LEG	2
PFB-27	72"	CENTER POST	2
PFB-28	51 1/8"	MAINBEAM	2
PFB-29	51 1/8"	TOP JOIST SWINGBEAM	1
PFB-30	98"	LEFT 2- HOLE CORNER POST	2
PFB-31	98"	RIGHT 2- HOLE CORNER POST	2
PFB-32	11"	ROCKWALL ROPE BLOCK	1
PFB-33	19"	RIGHT GUSSET	1
PFB-34	90 1/2"	TRAPEZE ARM	1

## Parrot Island Fort- Base Hardware

Item No.	Part No.	Part Description	QTY.
PBH-1	40-1-00001	3/8" ACORN NUT PLATED	8
PBH-2	40-1-00022	2 1/2" COATED DECK SCREW	44
PBH-3	40-1-00026	3/8" HEX NUT	4
PBH-4	40-1-00043	3/8" X 5" HEX BOLT	4
PBH-5	40-1-00045	3/8" X 7" HEX BOLT	4
PBH-6	40-1-00054	1/4" X 2" HEX LAG SCREW	8
PBH-7	40-1-00055	1/4" X 3" HEX LAG SCREW	56
PBH-8	40-1-00056	1/4" X 4 1/2" HEX LAG SCREW	8
PBH-9	40-1-00059	3/8" X 3 1/2" HEX LAG SCREW	4
PBH-10	40-1-00064	3/8" NYLON INSERT LOCKNUT	4
PBH-11	40-1-00073	3/8" SPLIT LOCKWASHER	8
PBH-12	40-1-00077	1/4" 4- PRONG T-NUT	6
PBH-13	40-1-00081	1/4" USS FLATWASHER	98
PBH-14	40-1-00082	3/8" USS FLATWASHER	14
PBH-15	40-1-00116	1/4" X 2" HEX BOLT	6
PBH-16	40-1-00122	#14 X 1" PAN PHILLIPS T/S	20
PBH-17	40-1-00123	1 1/2" COATED DECK SCREW	86
PBH-18	41-1-00025	3/8" BOLT CUP	8
PBH-19	40-1-00061	3/8" X 5" HEX LAG SCREW	2

## Parrot Island Fort- Rockwall Hardware

RWH-1	40-1-00022	2 1/2" COATED DECK SCREW	60
RWH-2	40-1-00041	3/8" X 1 1/2" HEX BOLT	2
RWH-3	40-1-00066	1/4" X 1 1/4" PAN PHILLIPS M/S	28
RWH-4	40-1-00077	1/4" 4- PRONG T- NUT	28
RWH-5	40-1-00080	3/8" 4- PRONG T- NUT	2
RWH-6	40-1-00081	1/4" USS FLATWASHER	34
RWH-7	40-1-00082	3/8" USS FLATWASHER	2
RWH-8	40-1-00122	#14 X 1" PAN PHILLIPS T/S	6

## Parrot Island Fort- Step Ladder Hardware

SLH-1	40-1-00022	2 1/2" COATED DECK SCREW	24
SLH-2	40-1-00041	3/8" X 1 1/2" HEX BOLT	2
SLH-3	40-1-00080	3/8" 4-PRONG T-NUT	2
SLH-4	40-1-00081	1/4" USS FLATWASHER	14
SLH-5	40-1-00082	3/8" USS FLATWASHER	2
SLH-6	40-1-00122	#14 X 1" PAN PHILLIPS T/S	14

## Parrot Island Fort- Picnic Table Hardware

Item No.	Part No.	Part Description	QTY.
PTH-1	40-1-00022	2 1/2" COATED DECK SCREW	44
PTH-2	40-1-00055	1/4" X 3" HEX LAG SCREW	8
PTH-3	40-1-00081	1/4" USS FLATWASHER	8
PTH-4	40-1-00123	1 1/2" COATED DECK SCREW	22

## Parrot Island Fort- Swingbeam Hardware

SBH-1	40-1-00001	3/8" ACORN NUT PLATED	10
SBH-2	40-1-00002	1/2" ACORN NUT PLATED	8
SBH-3	40-1-00011	1/2" X 3 1/2" CARRIAGE BOLT	2
SBH-4	40-1-00013	1/2" X 7" CARRIAGE BOLT	4
SBH-5	40-1-00014	1/2" X 9" CARRIAGE BOLT	1
SBH-6	40-1-00026	3/8" HEX NUT	2
SBH-7	40-1-00028	1/2" HEX NUT	8
SBH-8	40-1-00045	3/8" X 7" HEX BOLT	8
SBH-9	40-1-00059	3/8" X 3 1/2" HEX LAG SCREW	2
SBH-10	40-1-00061	3/8" X 5" HEX LAG SCREW	2
SBH-11	40-1-00064	3/8" NYLON INSERT LOCKNUT	8
SBH-12	40-1-00073	3/8" SPLIT LOCKWASHER	10
SBH-13	40-1-00074	1/2" SPLIT LOCKWASHER	8
SBH-14	40-1-00082	3/8" USS FLATWASHER	14
SBH-15	40-1-00083	1/2" USS FLATWASHER	9
SBH-16	40-1-00084	3/4" USS FLATWASHER	7
SBH-17	40-1-00097	3/8" X 10" HEX BOLT	2
SBH-18	40-1-00122	#14 X 1" PAN PHILLIPS T/S	2
SBH-19	40-1-00124	1/2" X 12" HEX BOLT	1
SBH-20	41-1-00025	3/8" BOLT CUP	10

## Parrot Island Fort- Slide Hardware

SH-1	40-1-00065	1/4" X 1" PAN PHILLIPS M/S	3
SH-2	40-1-00081	1/4" USS FLATWASHER	3
SH-3	40-1-00077	1/4" 4 PRONG T- NUT	3



# Parrot Island Fort- Base Accessories

Item No.	Part No.	Part Description	QTY.
PFA-1	56-1-00012	DUCTILE IRON SWING HANGER	6
PFA-2	57-2-00001	1" PLAYGRIP SAFETY HANDLE	4
PFA-3	57-2-00003	1" PLAYGRIP LADDER HANDLE U-MOUNT	2
PFA-4	58-1-00004	SMALL 90 DEGREE BRACKET	6
PFA-5	58-1-00006	90 DEGREE LADDER/ ROCKWALL BRACKET	4
PFA-6	58-1-00010	SWINGBEAM PLATE	1
PFA-7	58-1-00014	SWINBEAM 45 DEGREE BRACKET	2
PFA-8	59-1-00011	SPRING CLIPS 10MM X 100MM	6
PFA-9	59-1-00012	SPIRAL GROUND ANCHOR	4
PFA-10	33-1-00036	DISC SWING	1
PFA-11	37-1-00017	12" SHIP'S WHEEL	1
PFA-12	37-1-00021	TELESCOPE	1
PFA-13	60-1-00005	16" TRAPEZE BAR W/ RINGS	1
PFA-14	65-7-00017	14' ROPE	2
PFA-15	39-1-00010	TIC TAC TOE	1

# Parrot Island Fort- Base Lumber

PFB-1  
9" Small Corner Facia  
QTY. 2



PFB-2  
11 5/8" Picnic Seat Support  
QTY. 2



PFB-3  
16" TicTac Toe Panel Board  
QTY. 2



PFB-4  
25" Spindle  
QTY. 14



PFB-5  
26 3/8" Picnic Table Support  
QTY. 2



PFB-6  
31 13/16" Corner Facia  
QTY. 2



PFB-7  
36" Blank Rockwall Board  
QTY. 7



PFB-8  
36" Rockwall Board w/ Rope Hole  
QTY. 1



PFB-9  
51 1/8" Deck Support  
QTY. 1



PFB-10  
51 1/8" Center Tarp Board  
QTY. 1



PFB-11  
51 1/8" End Tarp Board  
QTY. 2



PFB-12  
53 1/2" Short Deck Board  
QTY. 4



# Parrot Island Fort- Base Lumber

PFB-13  
60 1/4" Slim- Deck Board  
QTY. 4



PFB-14  
36" Rockwall Board w/ Rock Holes  
QTY. 7



PFB-15  
51 1/8" Short 4- Hole Facia  
QTY. 4



PFB-16  
60 1/4" 6- Hole Facia  
QTY. 2



PFB-17  
60 1/4" 4- Hole Facia  
QTY. 2



PFB-18  
60 1/4" 6- Hole Deck Facia  
QTY. 2



PFB-19  
60 1/4" Deck Board  
QTY. 14



PFB-20  
18" Gusset  
QTY. 8



PFB-21  
22" Ladder Step  
QTY. 5



PFB-22  
23 3/4" Ladder Facia  
QTY. 1



PFB-23  
51 1/8" Picnic Mainbeam  
QTY. 4



PFB-24  
65 3/4" Right Ladder Leg  
QTY. 1



# Parrot Island Fort- Base Lumber

PFB-25  
65 3/4" Left Ladder Leg  
QTY. 1



PFB-26  
65 3/4" Rockwall Ladder Leg  
QTY. 2



PFB-27  
72" Center Post  
QTY. 2



PFB-28  
51 1/8" Mainbeam  
QTY. 2



PFB-29  
51 1/8" Top Joist Swinbeam  
QTY. 1



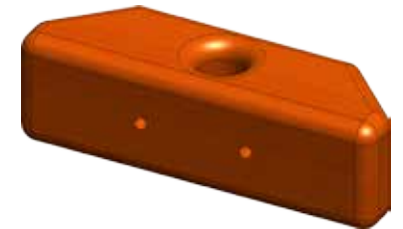
PFB-30  
98" Left 2- Hole Corner Post  
QTY. 2



PFB-31  
98" Right 2- Hole Corner Post  
QTY. 2



PFB-32  
11" Rockwall Rope BLock  
QTY. 1



PFB-33  
19" Gusset  
QTY. 1



PFB-34  
90 1/2" Trapeze Arm  
QTY. 1



# PARROT ISLAND FORT- BASE HARDWARE BAG

INSTALLER NOTE: (YOU MUST ASSEMBLE THIS PRODUCT IN ACCORDANCE WITH THESE ASSEMBLY INSTRUCTIONS. WHEN COMPLETE GIVE MANUAL TO OWNER.)

PBH-1  
40-1-00001  
3/8" Acorn Nut Plated  
QTY. 8



PBH-2  
40-1-00022  
2 1/2" Coated Deck Screw  
QTY. 44



PBH-3  
40-1-00026  
3/8" Hex Nut  
QTY. 4



PBH-6  
40-1-00054  
1/4" x 2" Hex Lag Screw  
QTY. 8



PBH-4  
40-1-00043  
3/8" x 5" Hex Bolt  
QTY. 4



PBH-7  
40-1-00055  
1/4" x 3" Hex Lag Screw  
QTY. 56



PBH-5  
40-1-00045  
3/8" x 7" Hex Bolt  
QTY. 4



PBH-8  
40-1-00056  
1/4" x 4 1/2" Hex Lag Screw  
QTY. 8



MEASUREMENT TAKEN FROM BOTTOM OF BOLT HEAD TO THE BOTTOM OF BOLT



USE THE RULER TO MEASURE YOUR BOLTS AND SCREWS. HARDWARE VIEWS SHOWN ABOVE ARE 1:1 SCALE AND CAN BE USED TO MATCH HARDWARE SIZES.

# PARROT ISLAND FORT- BASE HARDWARE BAG

INSTALLER NOTE: (YOU MUST ASSEMBLE THIS PRODUCT IN ACCORDANCE WITH THESE ASSEMBLY INSTRUCTIONS. WHEN COMPLETE GIVE MANUAL TO OWNER.)

PBH-9  
40-1-00059  
3/8" x 3 1/2" Hex Lag Screw  
QTY. 4



PBH-10  
40-1-00064  
3/8" Nylon Insert Locknut  
QTY. 4



PBH-11  
40-1-00073  
3/8" Split Lockwasher  
QTY. 8



PBH-12  
40-1-00077  
1/4" 4- Prong T-Nut  
QTY. 6



PBH-13  
40-1-00081  
1/4" USS Flatwasher  
QTY. 98



PBH-14  
40-1-00082  
3/8" USS Flatwasher  
QTY. 12



PBH-15  
40-1-00116  
1/4" x 2" Hex Bolt  
QTY. 6



PBH-16  
40-1-00122  
#14 x 1" Pan Phillips T/S  
QTY. 20



PBH-18  
41-1-00025  
3/8" Bolt Cup  
QTY. 8



MEASUREMENT TAKEN FROM BOTTOM OF BOLT HEAD TO THE BOTTOM OF BOLT



USE THE RULER TO MEASURE YOUR BOLTS AND SCREWS. HARDWARE VIEWS SHOWN ABOVE ARE 1:1 SCALE AND CAN BE USED TO MATCH HARDWARE SIZES.

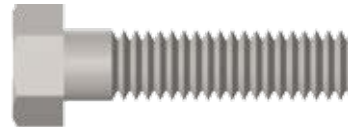
# PARROT ISLAND FORT- ROCKWALL HARDWARE BAG

INSTALLER NOTE: (YOU MUST ASSEMBLE THIS PRODUCT IN ACCORDANCE WITH THESE ASSEMBLY INSTRUCTIONS. WHEN COMPLETE GIVE MANUAL TO OWNER.)

RWH-1  
40-1-00022  
2 1/2" Coated Deck Screw  
QTY. 60



RWH-2  
40-1-00041  
3/8" x 1 1/2" Hex Bolt  
QTY. 2



RWH-3  
40-1-00066  
1/4" x 1 1/4" Pan Phillips M/S  
QTY. 28



RWH-4  
40-1-00077  
1/4" 4- Prong T-Nut  
QTY. 28



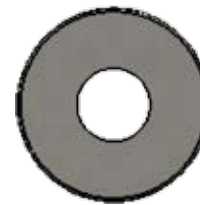
RWH-5  
40-1-00080  
3/8" 4- Prong T- Nut  
QTY. 2



RWH-6  
40-1-00081  
1/4" USS Flatwasher  
QTY. 34



RWH-7  
40-1-00082  
3/8" USS Flatwasher  
QTY. 2



RWH-8  
40-1-00122  
#14 x 1" Pan Phillips T/S  
QTY. 6



MEASUREMENT TAKEN FROM BOTTOM OF BOLT HEAD TO THE BOTTOM OF BOLT



USE THE RULER TO MEASURE YOUR BOLTS AND SCREWS. HARDWARE VIEWS SHOWN ABOVE ARE 1:1 SCALE AND CAN BE USED TO MATCH HARDWARE SIZES.

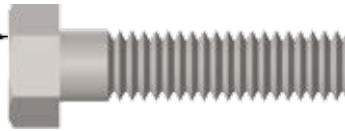
# PARROT ISLAND FORT- STEP LADDER HARDWARE BAG

INSTALLER NOTE: (YOU MUST ASSEMBLE THIS PRODUCT IN ACCORDANCE WITH THESE ASSEMBLY INSTRUCTIONS. WHEN COMPLETE GIVE MANUAL TO OWNER.)

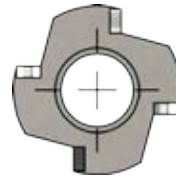
SLH-1  
40-1-00022  
2 1/2" Coated Deck Screw  
QTY. 24



SLH-2  
40-1-00041  
3/8" x 1 1/2" Hex Bolt  
QTY. 2



SLH-3  
40-1-00080  
3/8" 4- Prong T-Nut  
QTY. 2



SLH-4  
40-1-00081  
1/4" USS Flatwasher  
QTY. 14



SLH-5  
40-1-00082  
3/8" USS Flatwasher  
QTY. 2



SLH-6  
40-1-00122  
#14 x 1" Pan Phillips T/S  
QTY. 14



## PARROT ISLAND FORT- SLIDE HARDWARE

SH-1  
40-1-00065  
1/4" x 1" Pan Phillips M/S  
QTY. 3



SH-2  
40-1-00081  
1/4" USS Flatwasher  
QTY. 3



SH-3  
40-1-00077  
1/4" 4- Prong T-Nut  
QTY. 3



MEASUREMENT TAKEN FROM BOTTOM OF BOLT HEAD TO THE BOTTOM OF BOLT



USE THE RULER TO MEASURE YOUR BOLTS AND SCREWS. HARDWARE VIEWS SHOWN ABOVE ARE 1:1 SCALE AND CAN BE USED TO MATCH HARDWARE SIZES.



# PARROT ISLAND FORT- PICNIC TABLE HARDWARE BAG

INSTALLER NOTE: (YOU MUST ASSEMBLE THIS PRODUCT IN ACCORDANCE WITH THESE ASSEMBLY INSTRUCTIONS. WHEN COMPLETE GIVE MANUAL TO OWNER.)

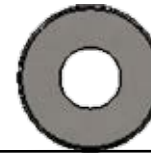
PTH-1  
40-1-00022  
2 1/2" Coated Deck Screw  
QTY. 44



PTH-2  
40-1-00055  
1/4" x 3" Hex Lag Screw  
QTY. 8



PTH-3  
40-1-00081  
1/4" USS Flatwasher  
QTY. 8



PTH-4  
40-1-00123  
1 1/2" Coated Deck Screw  
QTY. 22



# PARROT ISLAND FORT- SWINGBEAM HARDWARE

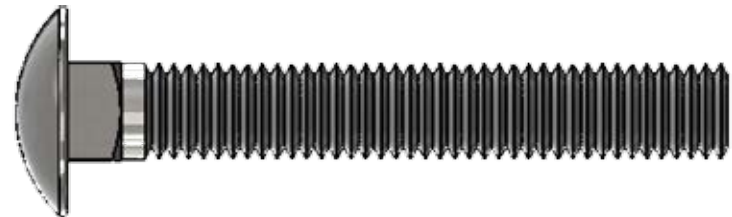
SBH-1  
40-1-00001  
3/8" Acorn Nut Plated  
QTY. 10



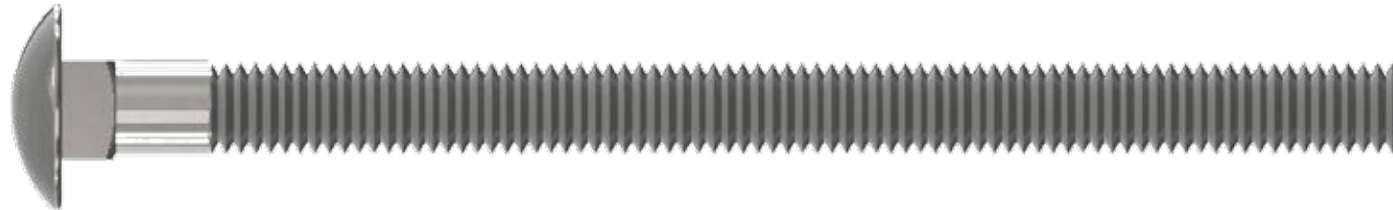
SBH-2  
40-1-00002  
1/2" Acorn Nut Plated  
QTY. 8



SBH-3  
40-1-00011  
1/2" x 3 1/2" Carriage Bolt  
QTY. 2



SBH-4  
40-1-00013  
1/2" x 7" Carriage Bolt  
QTY. 4



MEASUREMENT TAKEN FROM BOTTOM OF BOLT HEAD TO THE BOTTOM OF BOLT

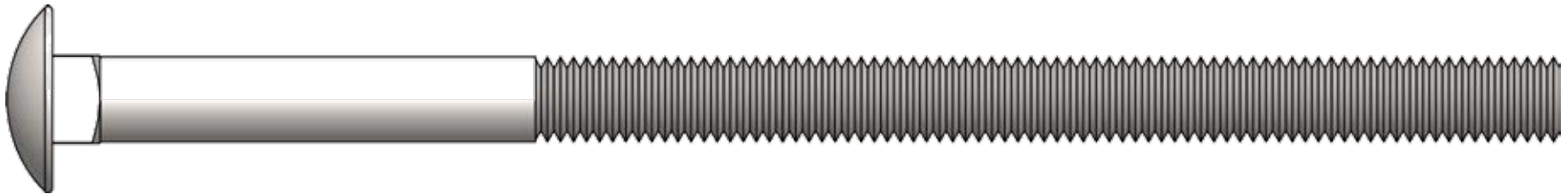


USE THE RULER TO MEASURE YOUR BOLTS AND SCREWS. HARDWARE VIEWS SHOWN ABOVE ARE 1:1 SCALE AND CAN BE USED TO MATCH HARDWARE SIZES.

# PARROT ISLAND FORT- SWINGBEAM HARDWARE BAG

INSTALLER NOTE: (YOU MUST ASSEMBLE THIS PRODUCT IN ACCORDANCE WITH THESE ASSEMBLY INSTRUCTIONS. WHEN COMPLETE GIVE MANUAL TO OWNER.)

SBH-5  
40-1-00014  
1/2" x 9" Carriage Bolt  
QTY. 1



SBH-6  
40-1-00026  
3/8" Hex Nut  
QTY. 2



SBH-7  
40-1-00028  
1/2" Hex Nut  
QTY. 8



SBH-9  
40-1-00059  
3/8" x 3 1/2" Hex Lag Screw  
QTY. 2



SBH-11  
40-1-00064  
3/8" Nylon Insert Locknut  
QTY. 8



SBH-10  
40-1-00061  
3/8" x 5" Hex Lag Screw  
QTY. 2



SBH-12  
40-1-00073  
3/8" Split Lockwasher  
QTY. 10



SBH-13  
40-1-00074  
1/2" Split Lockwasher  
QTY. 8



MEASUREMENT TAKEN FROM BOTTOM OF BOLT HEAD TO THE BOTTOM OF BOLT



USE THE RULER TO MEASURE YOUR BOLTS AND SCREWS. HARDWARE VIEWS SHOWN ABOVE ARE 1:1 SCALE AND CAN BE USED TO MATCH HARDWARE SIZES.

# PARROT ISLAND FORT- SWINGBEAM HARDWARE BAG

INSTALLER NOTE: (YOU MUST ASSEMBLE THIS PRODUCT IN ACCORDANCE WITH THESE ASSEMBLY INSTRUCTIONS. WHEN COMPLETE GIVE MANUAL TO OWNER.)

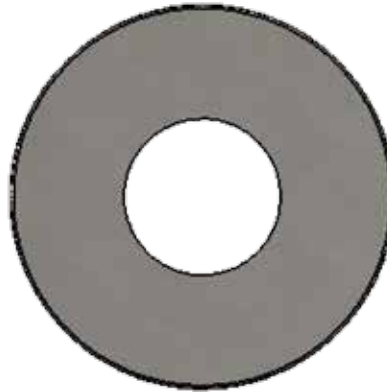
SBH-14  
40-1-00082  
3/8" USS Flatwasher  
QTY. 14



SBH-15  
40-1-00083  
1/2" USS Flatwasher  
QTY. 9



SBH-16  
40-1-00084  
3/4" USS Flatwasher  
QTY. 7



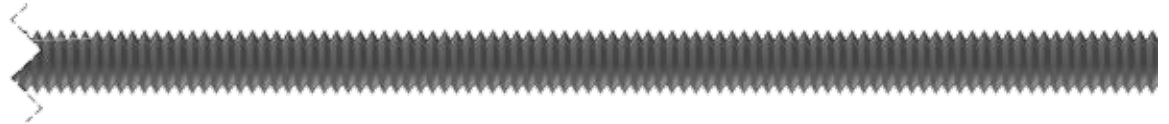
SBH-18  
40-1-00122  
#14 x 1" Pan Phillips T/S  
QTY. 2



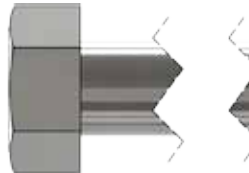
SBH-20  
41-1-00025  
3/8" Bolt Cup  
QTY. 10



SBH-17  
40-1-00097  
3/8" x 10" Hex Bolt  
QTY. 2



SBH-19  
40-1-00124  
1/2" x 12" Hex Bolt  
QTY. 1



MEASUREMENT TAKEN FROM BOTTOM OF BOLT HEAD TO THE BOTTOM OF BOLT



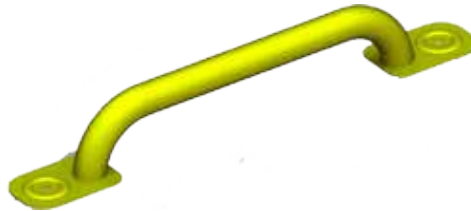
USE THE RULER TO MEASURE YOUR BOLTS AND SCREWS. HARDWARE VIEWS SHOWN ABOVE ARE 1:1 SCALE AND CAN BE USED TO MATCH HARDWARE SIZES.

# Parrot Island Fort- Base Accessories

PFA-1  
56-1-00012  
Ductile Iron Swing Hanger  
QTY. 6



PFA-2  
57-2-00001  
1" Playgrip Safety Handle  
QTY. 4



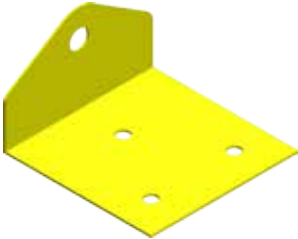
PFA-3  
57-2-00003  
1" Playgrip Ladder Handle- U Mount  
QTY. 2



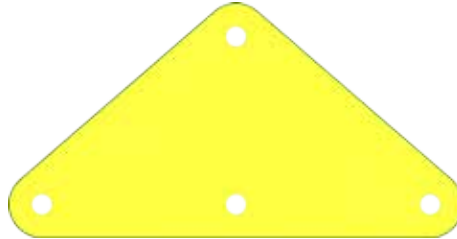
PFA-4  
58-1-00004  
Small 90 Degree Brakcet  
QTY. 6



PFA-5  
58-1-00006  
90 Rockwall/ Ladder Bracket  
QTY. 4



PFA-6  
58-1-00010  
Swingbeam Plate  
QTY. 1



PFA-7  
58-1-00014  
Swingbeam 45 Bracket  
QTY. 2



PFA-8  
59-1-00011  
Spring Clips 10mm x 100mm  
QTY. 6



PFA-9  
59-1-00012  
Ground Anchor  
QTY. 4



PFA-10  
33-1-00036  
Disc Swing  
QTY. 1



PFA-11  
37-1-00017  
Ship's Wheel  
QTY. 1



PFA-12  
37-1-00021  
Telescope  
QTY. 1



# Parrot Island Fort- Base Accessories

PFA-13  
60-1-00005  
16" Trapeze Bar w/ Rings  
QTY. 1



PFA-14  
65-7-00017  
14' Rope  
QTY. 2



PFA-15  
39-1-00010  
Tic Tac Toe  
QTY. 1



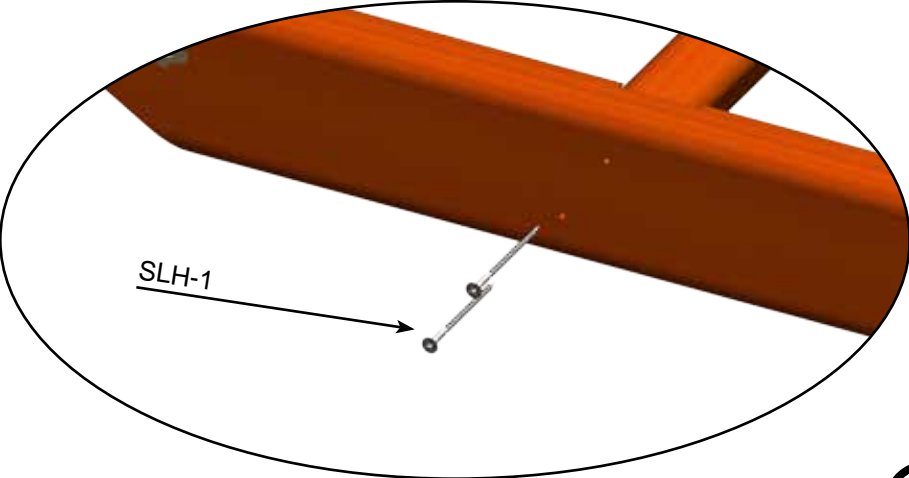
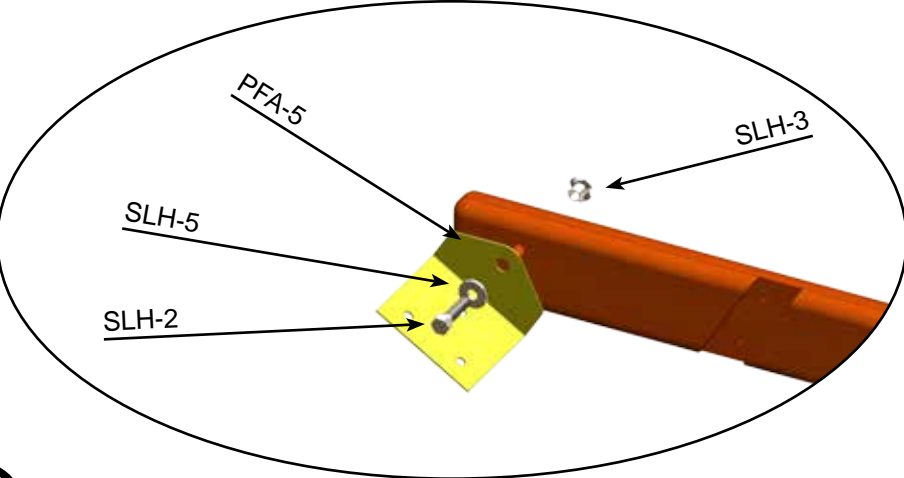
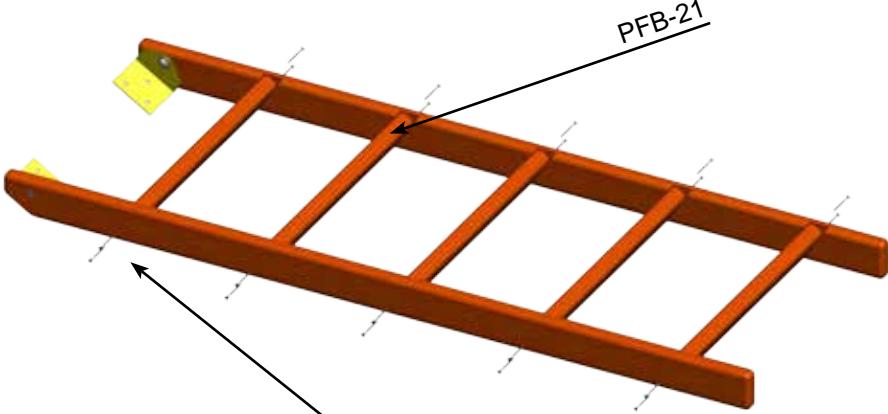
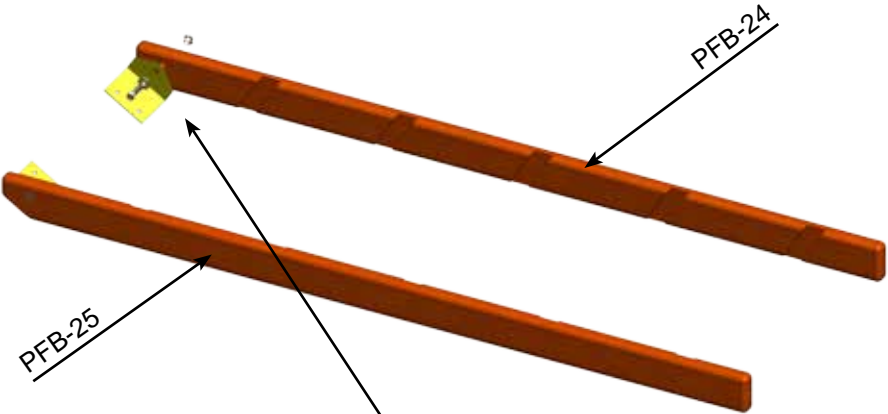
# Ladder Assembly

## PARTS NEEDED

- PFB-24- 65 3/4" Right Step Ladder Leg- (1)
- PFB-25- 65 3/4" Left Step Ladder Leg- (1)
- PFB-21- 22" Ladder Step- (1)
- PFA-5- 90 Degree Ladder/ Rockwall Bracket- (2)

## HARDWARE NEEDED

- SLH-1- 2 1/2" Coated Deck Screw- (20)
- SLH-2- 3/8" x 1 1/2" Hex Bolt- (2)
- SLH-3- 3/8" 4- Prong T-Nut- (2)
- SLH-5- 3/8" USS Flatwasher- (2)



# Ladder Assembly

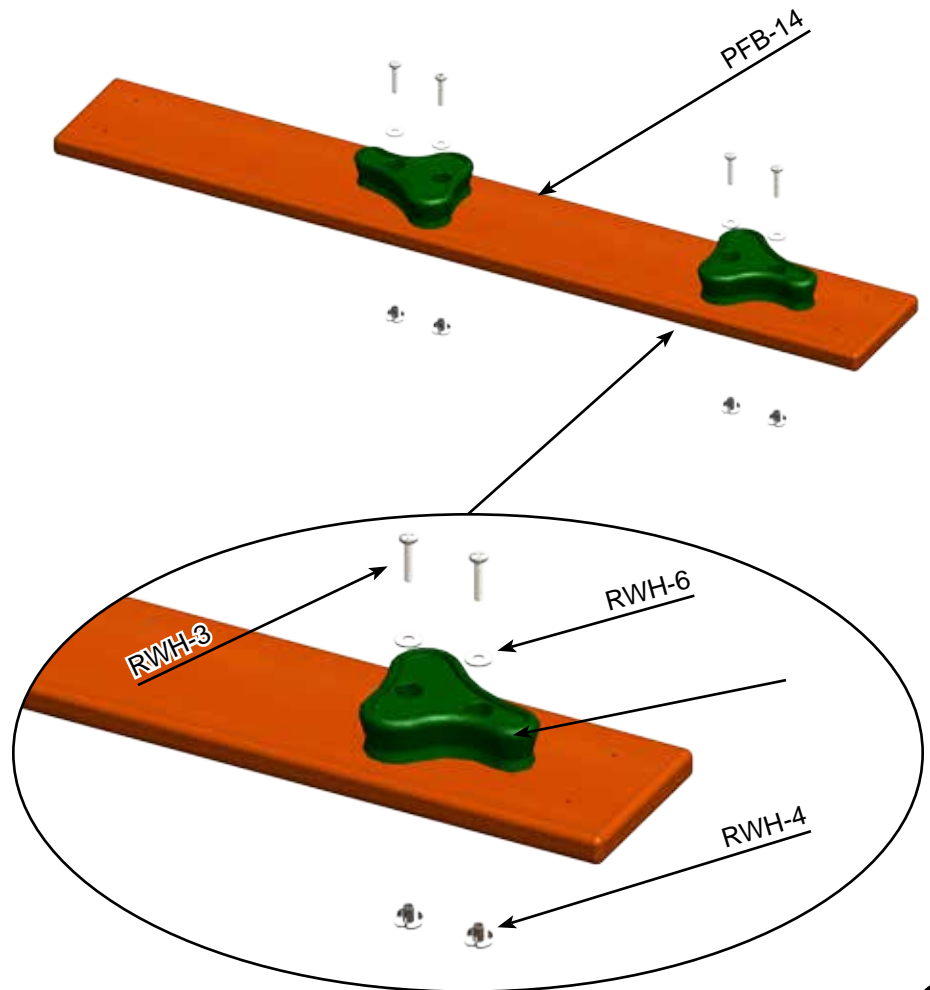
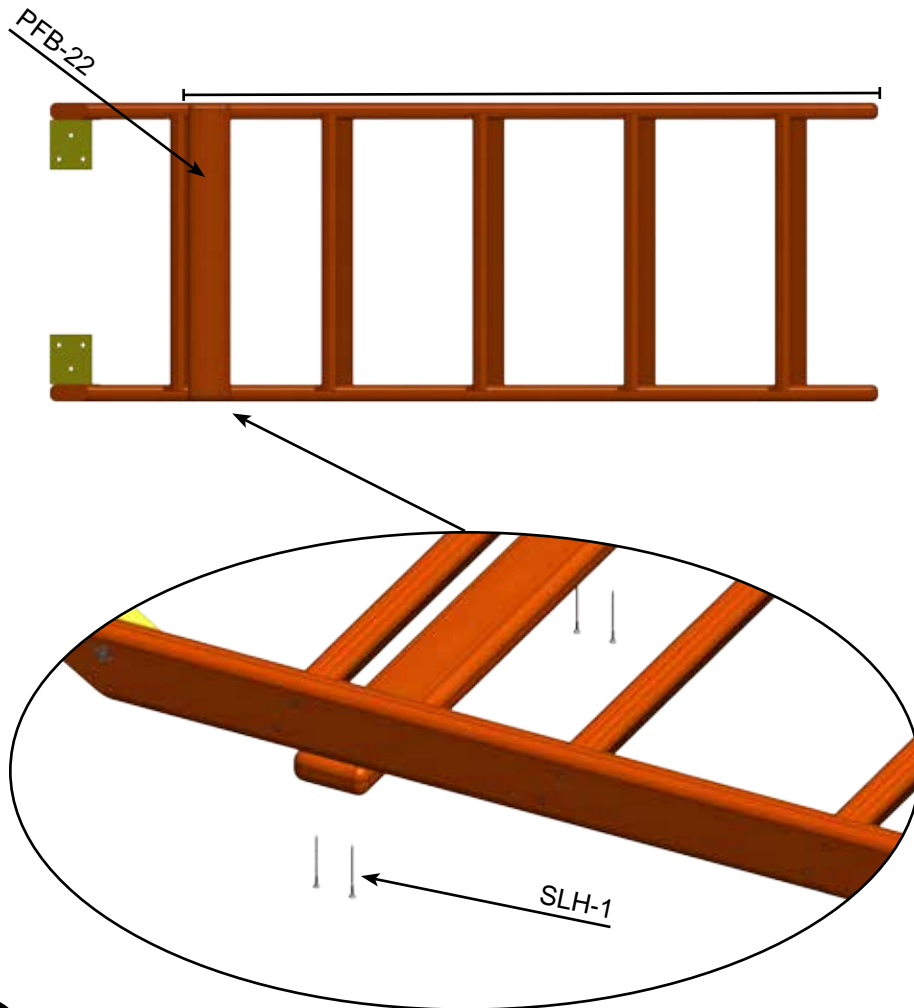
## PARTS NEEDED

- PFB-22- 23 3/4" Ladder Facia- (1)
- PFB-14- 36" Rockwall Board w/ Rock Holes- (7)

# Rockwall Assembly

## HARDWARE NEEDED

- SLH-1- 2 1/2" Coated Deck Screw- (4)
- RWH-3- 1/4" x 1 1/4" Pan Phillips M/S- (28)
- RWH-6- 1/4" USS Flatwasher- (28)
- RWH-4- 1/4" 4-Prong T-Nut- (28)



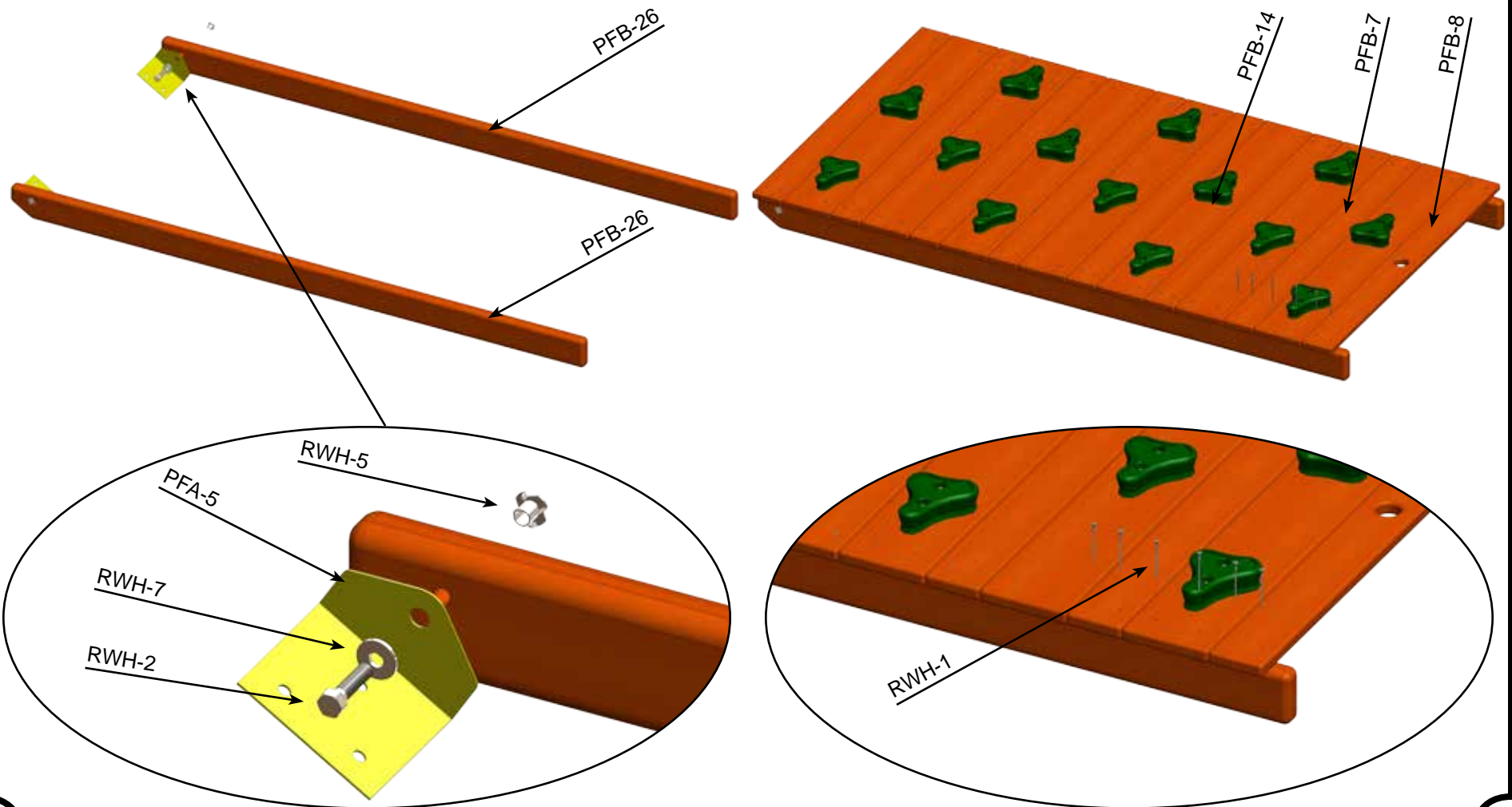
# Rockwall Assembly

## PARTS NEEDED

- PFB-26- 65 3/4" Rockwall Leg- (2)
- PFB-8- 36" Rockwall Board w/ Rope Hole- (1)
- PFB-7- 36" Blank Rockwall Board- (7)
- PFB-14- 36" Rockwall Board w/ Rock Holes- (7)
- PFA-5- 90 Degree Ladder/ Rockwall Bracket- (2)

## HARDWARE NEEDED

- RWH-5- 3/8" 4- Prong T-Nut- (2)
- RWH-7- 3/8" USS Flatwasher- (2)
- RWH-2- 3/8" x 1 1/2" Hex Bolt- (2)
- RWH-1- 2 1/2" Coated Deck Screw- (60)

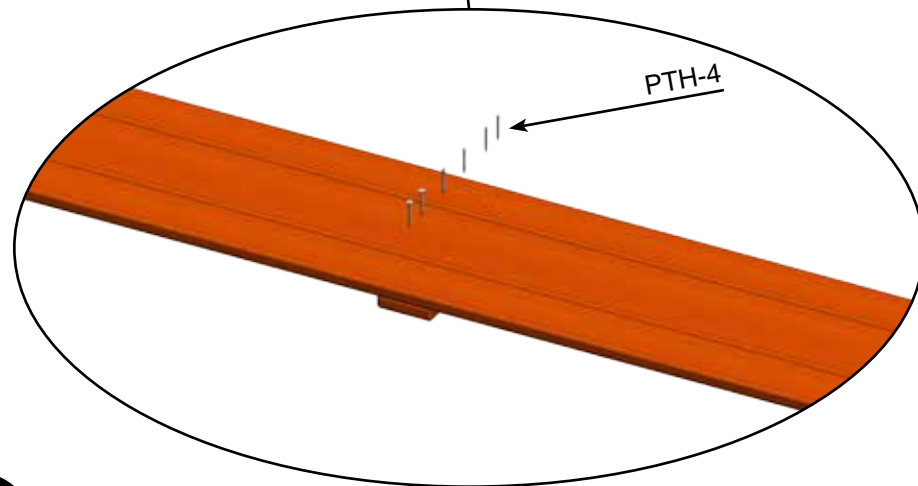
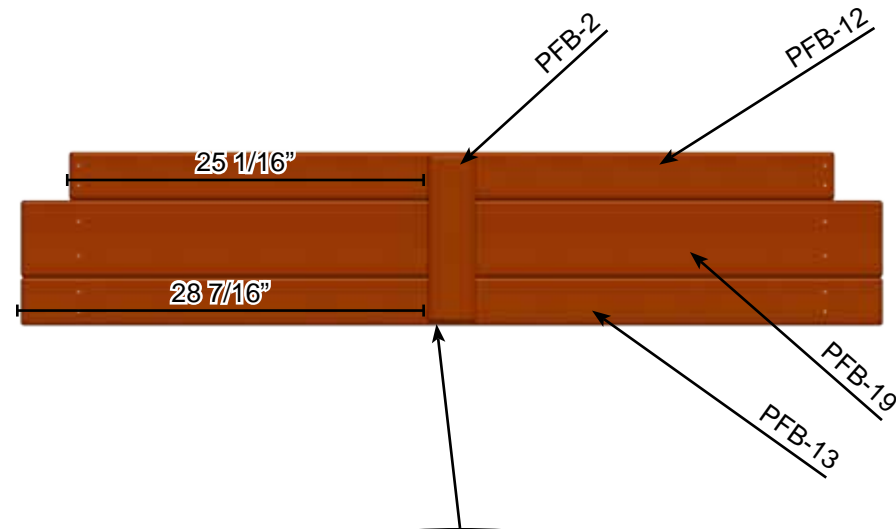




# Picnic Seat Assembly (2)

## PARTS NEEDED

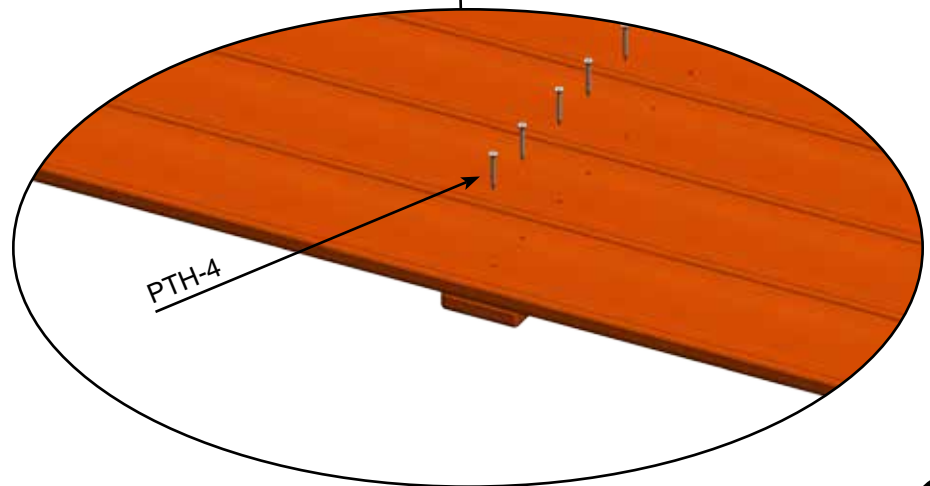
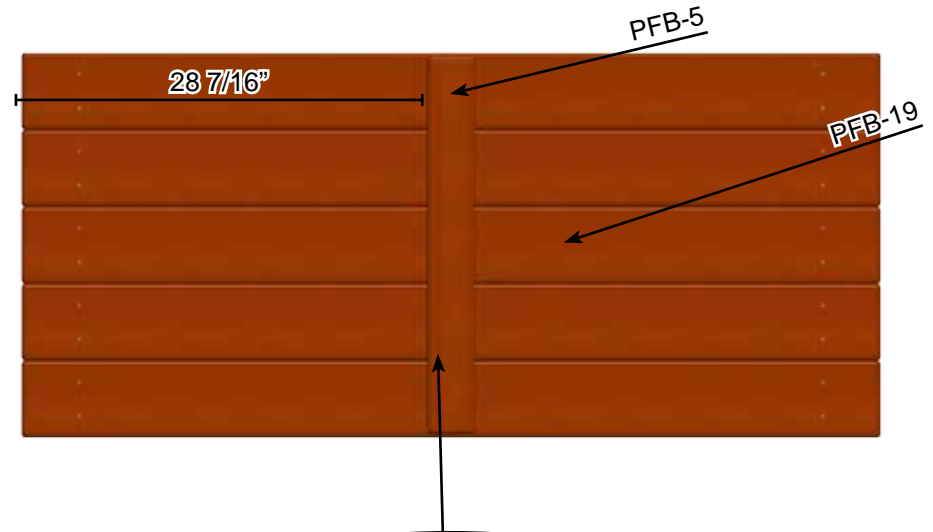
- PFB-2- 11 5/8" Picnic Seat Support- (2)
- PFB-13- 60 1/4" Slim- Deck Board- (2)
- PFB-19- 60 1/4" Deck Board- (6)



# Picnic Table Assembly

## HARDWARE NEEDED

- PTH-4- 1 1/2" Coated Deck Screw- (16)



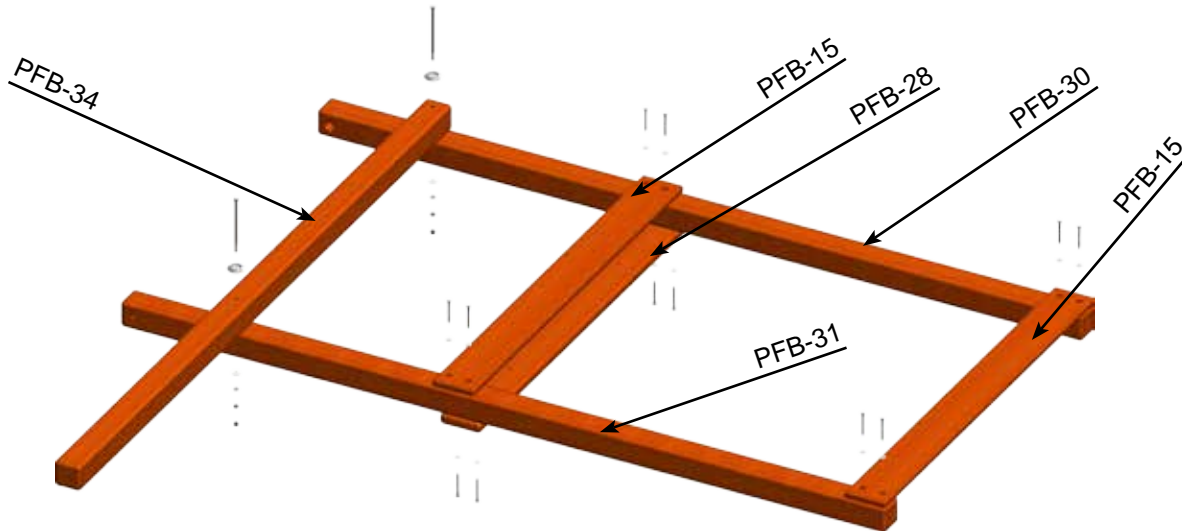
# Rockwall Side Wall

## PARTS NEEDED

PFB-34- 90 1/2" Trapeze Arm-	(1)
PFB-15- 51 1/8" Short 4- Hole Facia-	(2)
PFB-28- 51 1/8" Mainbeam-	(1)
PFB-30- 98" Left 2- Hole Corner Post-	(1)
PFB-31- 98" Right 2- Hole Corner Post-	(1)

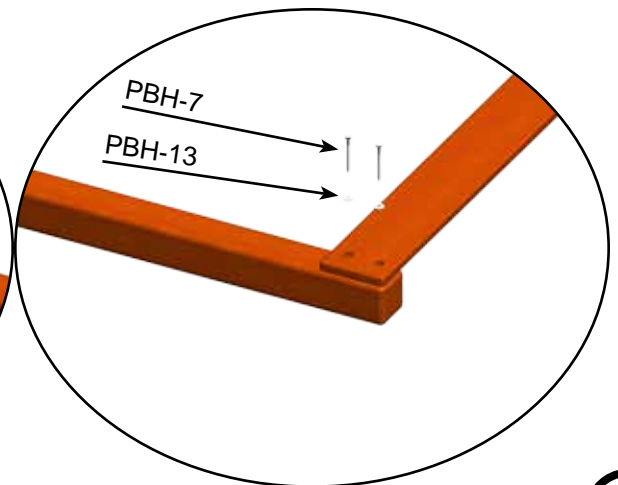
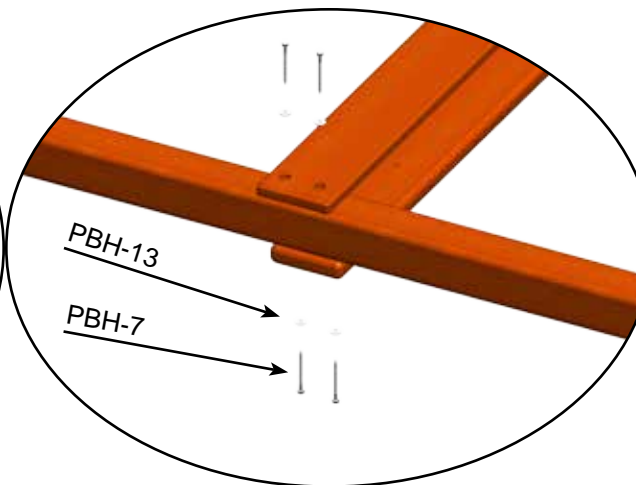
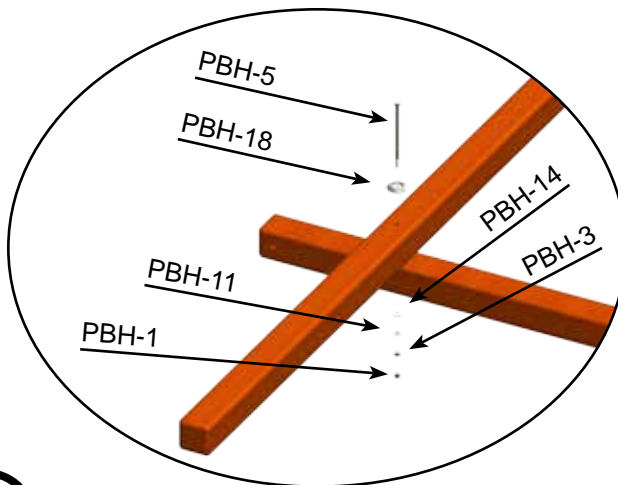
## HARDWARE NEEDED

PBH-5- 3/8" x 7" Hex Bolt-	(2)	PBH-18- 3/8" Bolt Cup-	(2)
PBH-14- 3/8" USS Flatwasher-	(2)	PBH-11- 3/8" Split Lockwasher-	(2)
PBH-3- 3/8" Hex Nut-	(2)	PBH-1- 3/8" Acorn Nut Plated-	(2)
PBH-7- 1/4" x 3" Hex Lag Screw-	(12)	PBH-13- 1/4" USS Flatwasher-	(12)



1. There is a 52 3/4" Gap from the bottom of the corner post to the bottom of PFB-15.

2. There is a 51 7/8" Gap from the bottom of the corner post to the bottom of PFB-28



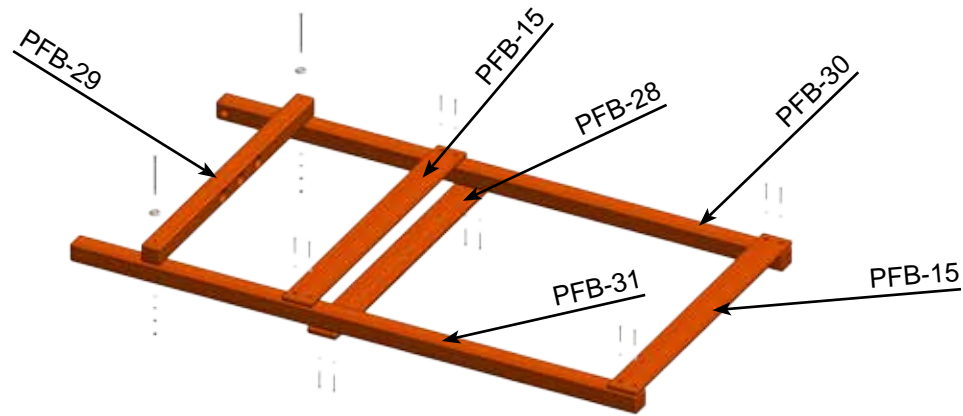
# Swinbeam Side Wall

## PARTS NEEDED

PFB-29- 51 1/8" Top Joist Swingbeam-	(1)
PFB-15- 51 1/8" Short 4- Hole Facia-	(2)
PFB-28- 51 1/8" Mainbeam-	(1)
PFB-30- 98" Left 2- Hole Corner Post-	(1)
PFB-31- 98" Right 2- Hole Corner Post-	(1)

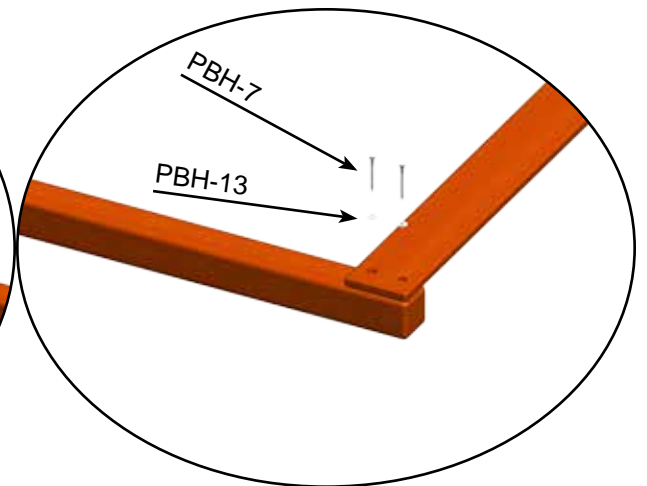
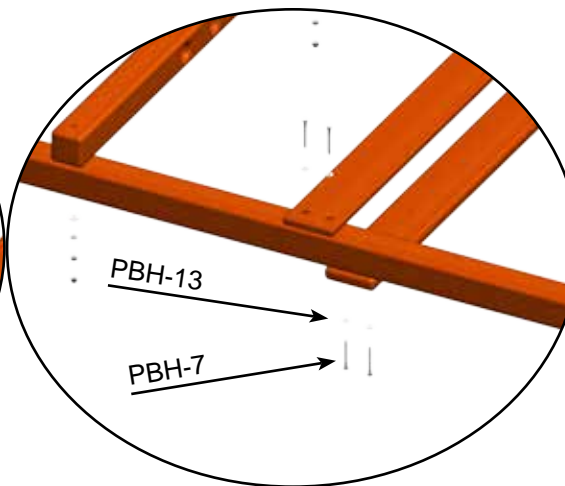
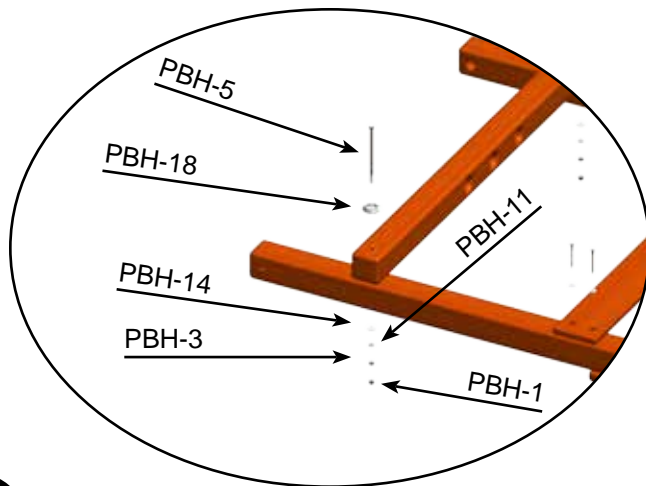
## HARDWARE NEEDED

PBH-5- 3/8" x 7" Hex Bolt-	(2)	PBH-18- 3/8" Bolt Cup-	(2)
PBH-14- 3/8" USS Flatwasher-	(2)	PBH-11- 3/8" Split Lockwasher-	(2)
PBH-3- 3/8" Hex Nut-	(2)	PBH-1- 3/8" Acorn Nut Plated-	(2)
PBH-7- 1/4" x 3" Hex Lag Screw-	(12)	PBH-13- 1/4" USS Flatwasher-	(12)



1. There is a 57 1/8" Gap from the bottom of the corner post to the bottom of PFB-15.

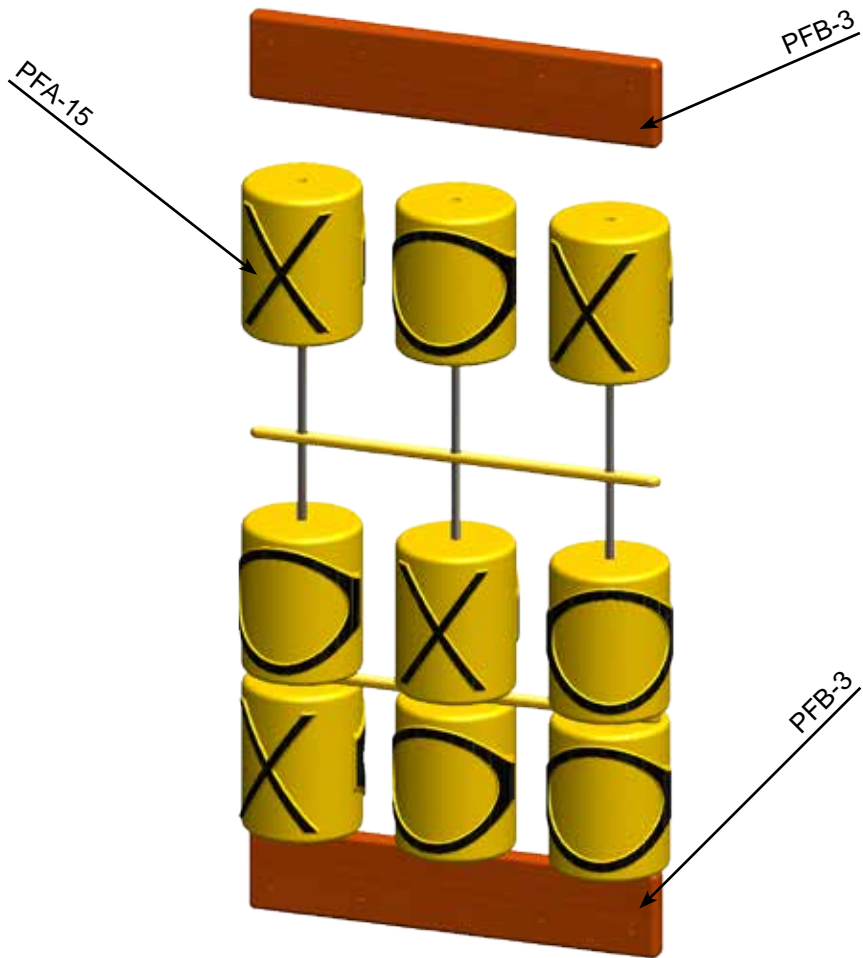
2. There is a 51 7/8" Gap from the bottom of the corner post to the bottom of PFB-28



# Tic Tac Toe Assembly

## PARTS NEEDED

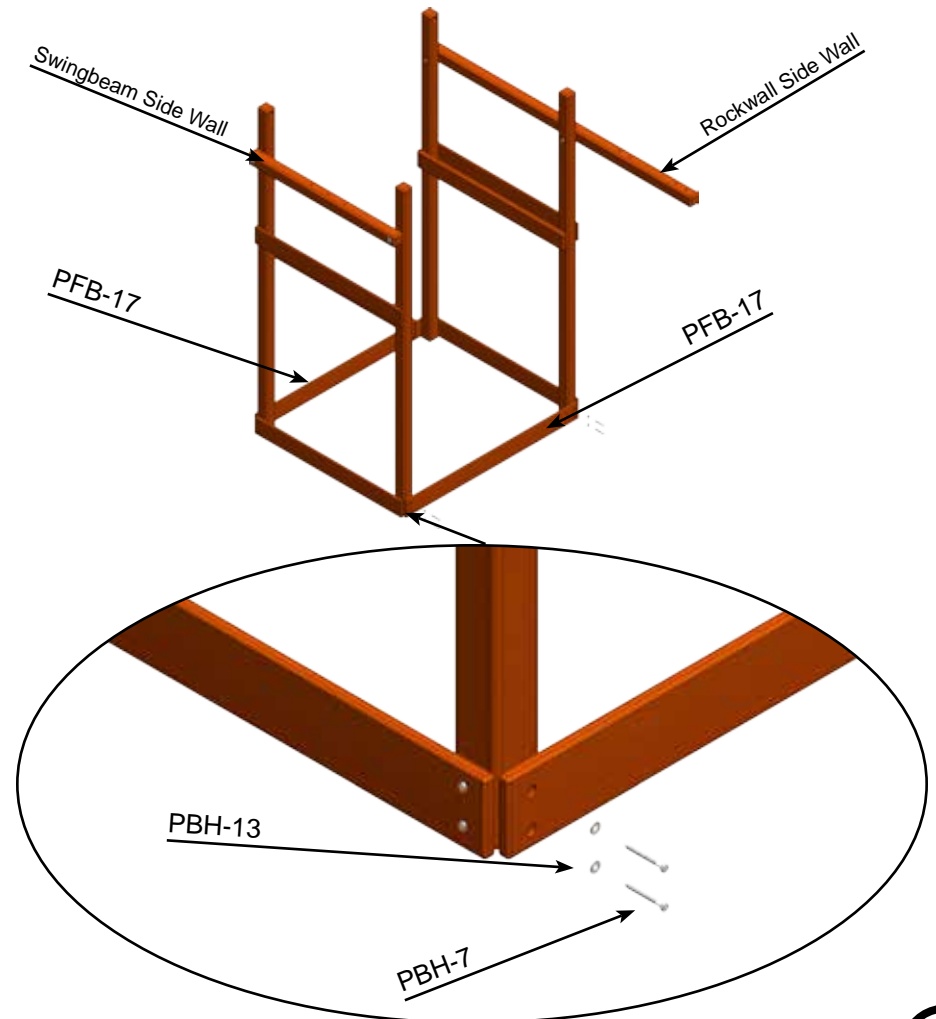
- PFB-3- 16" Tic Tac Toe Panel Board- (2)
- Swingbeam Side Wall- (1)
- Rockwall Side Wall- (1)
- PFB-17- 60 1/4" 4- Hole Facia- (2)



# Main Assembly

## HARDWARE NEEDED

- PBH-7- 1/4" x 3" Hex Lag Screw- (8)
- PBH-13- 1/4" USS Flatwasher- (8)



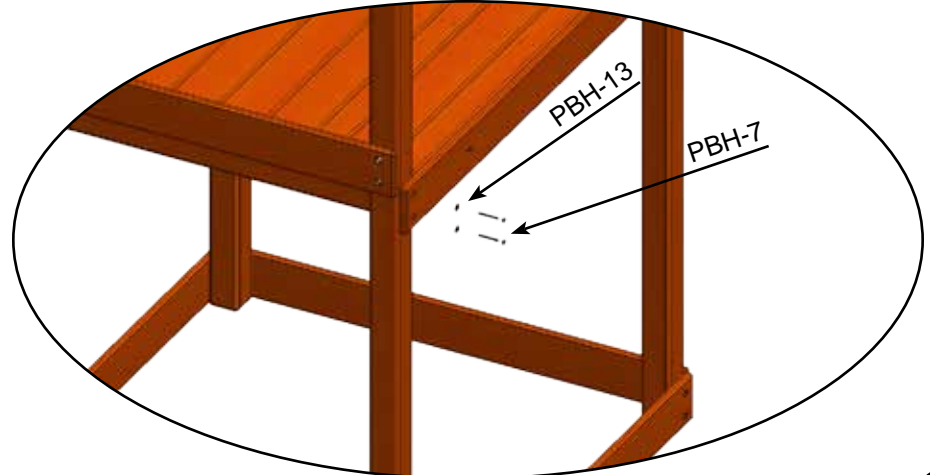
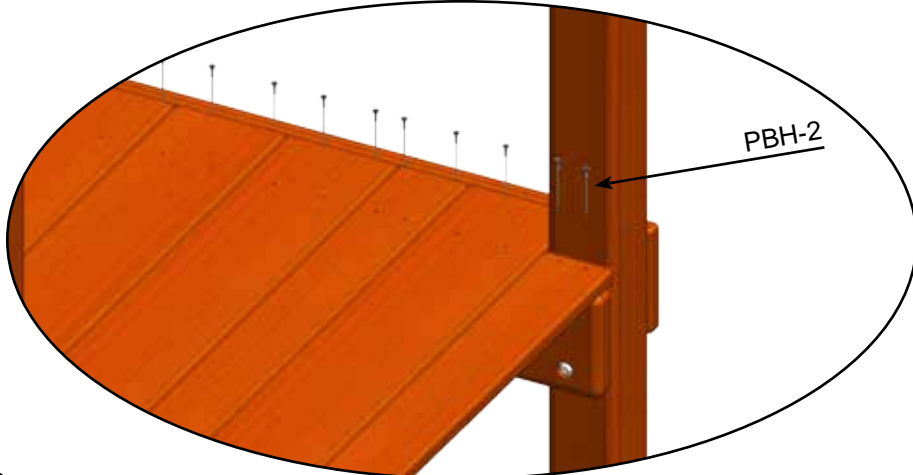
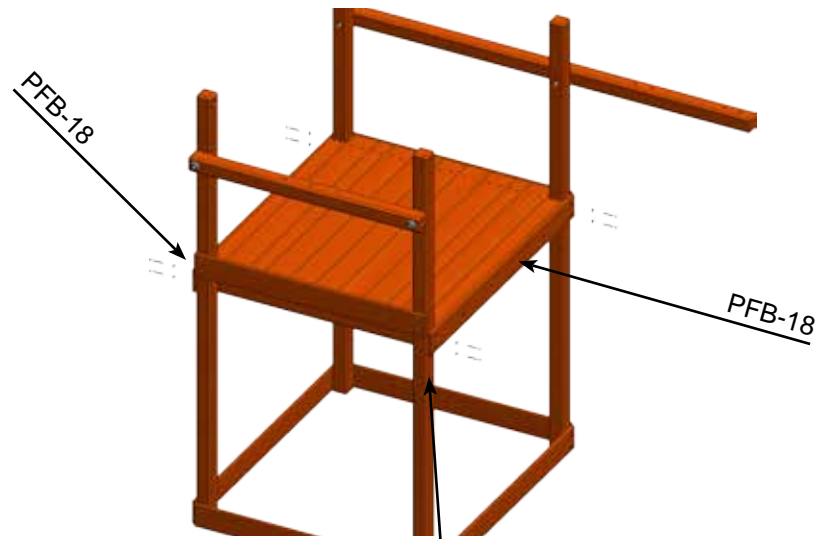
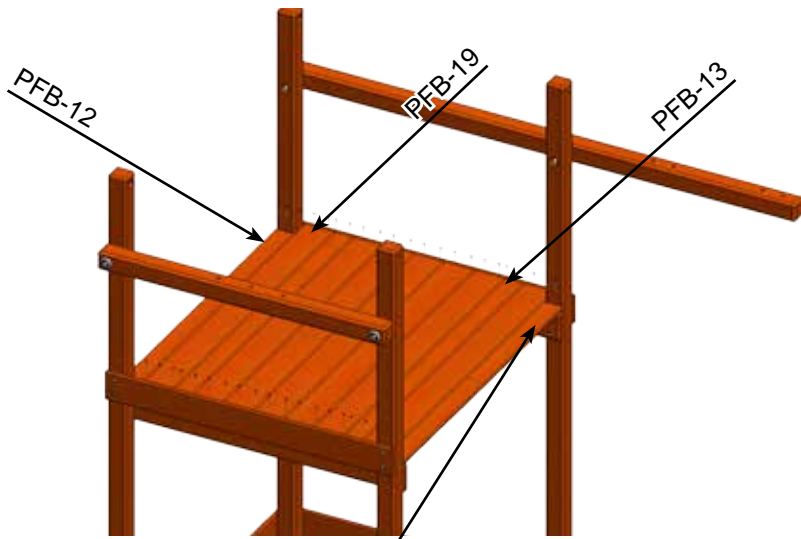
# Main Assembly

## PARTS NEEDED

- PFB-12- 53 1/2" Short Deck Board- (2)
- PFB-13- 60 1/4" Slim Deck Board- (2)
- PFB-19- 60 1/4" Deck Board- (7)
- PFB-18 60 1/4" 6- Hole Deck Facia- (2)

## HARDWARE NEEDED

- PBH-2- 2 1/2" Coated Deck Screw- (44)
- PBH-7- 1/4" x 3" Hex Lag Screw- (8)
- PBH-13- 1/4" USS Flatwasher- (8)



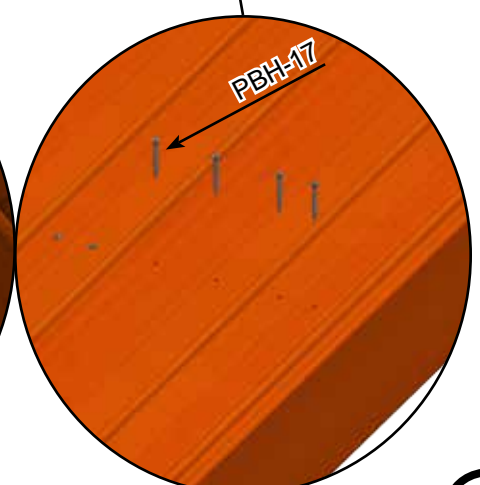
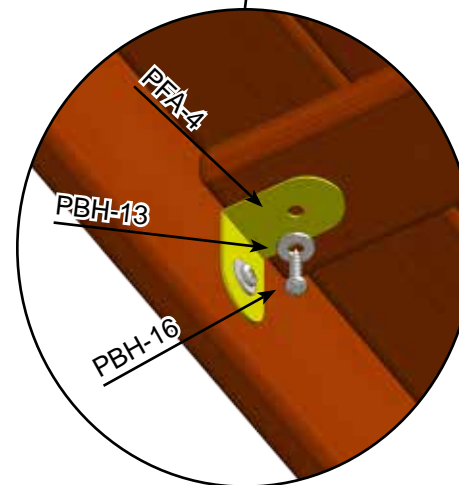
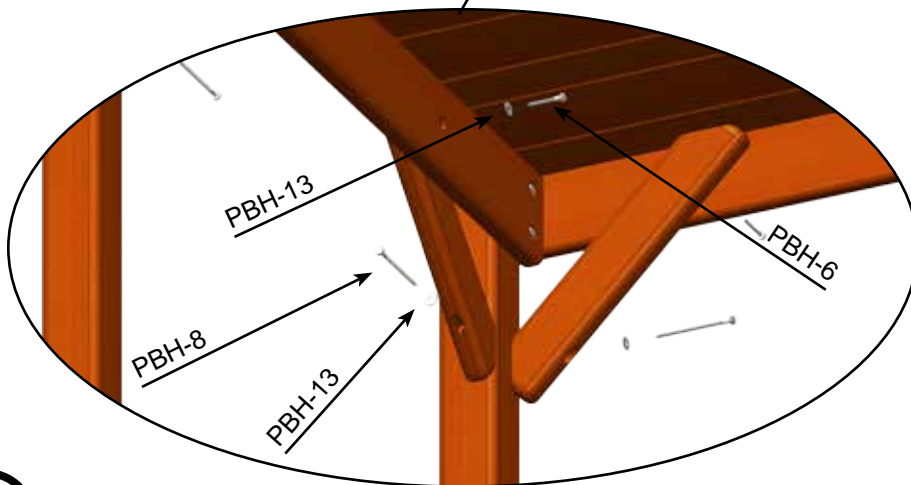
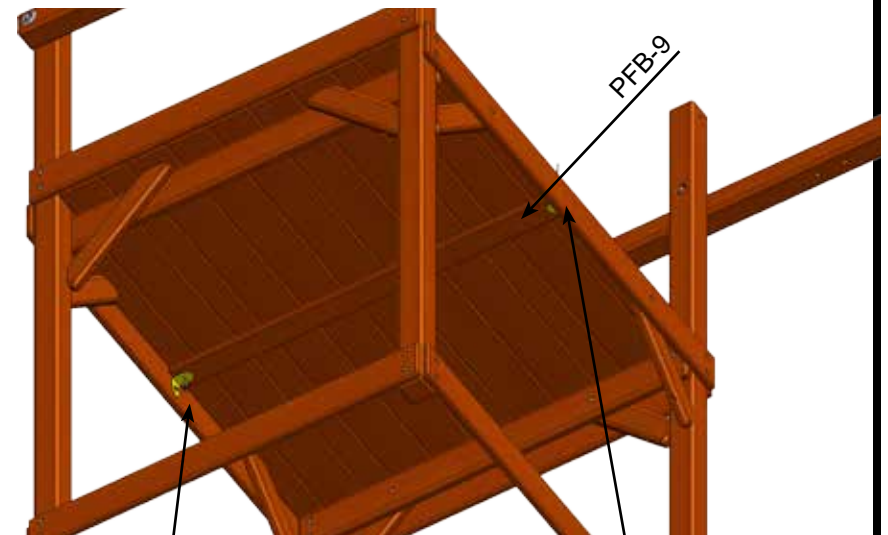
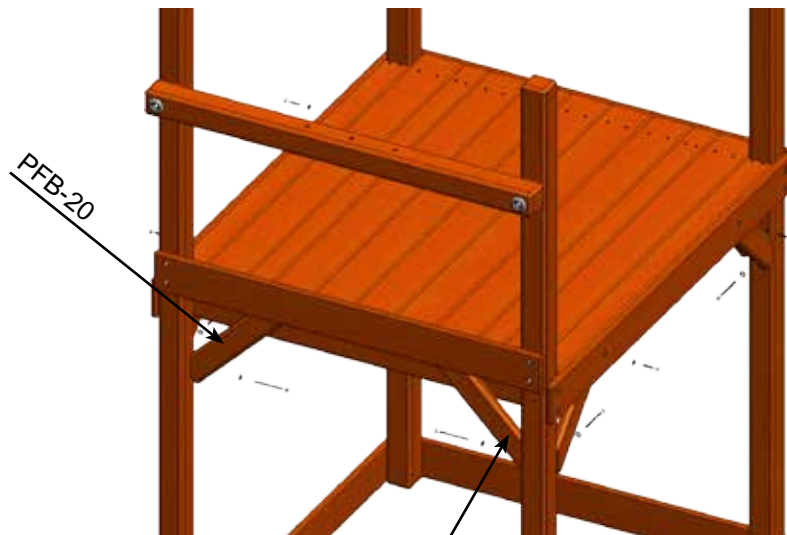
# Main Assembly

## PARTS NEEDED

PFB-20- 18" Gusset- (8)  
PFB-9- 51 1/8" Deck Support- (1)  
PFA-4- Small 90 Degree Bracket- (2)

## HARDWARE NEEDED

PBH-13- 1/4" USS Flatwasher- (20)  
PBH-8- 1/4" x 4 1/2" Hex Lag Screw- (8)  
PBH-6- 1/4" x 2" Hex Lag Screw- (8)  
PBH-16- #14 x 1" Pan Phillips T/S- (4)  
PBH-17- 1 1/2" Coated Deck Screw- (22)



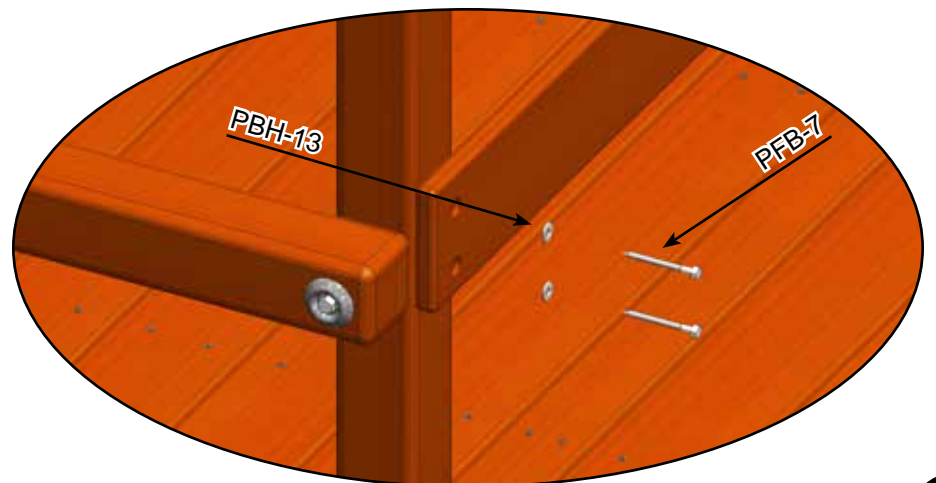
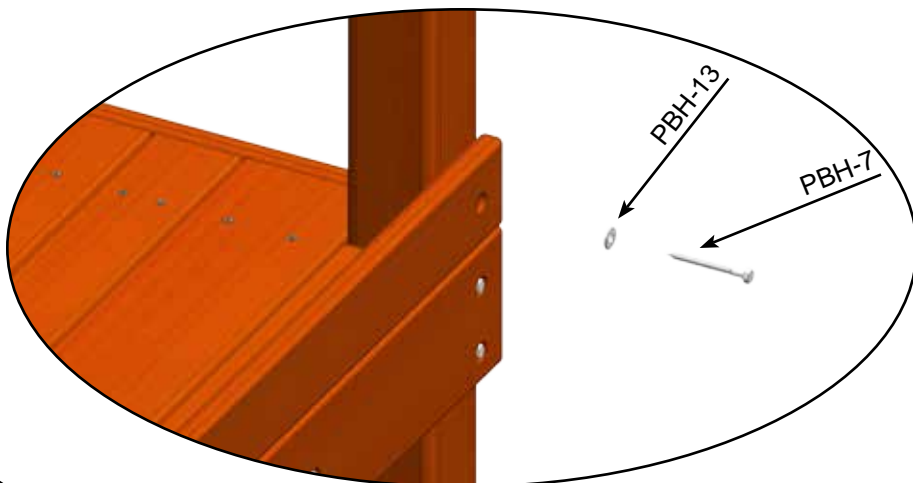
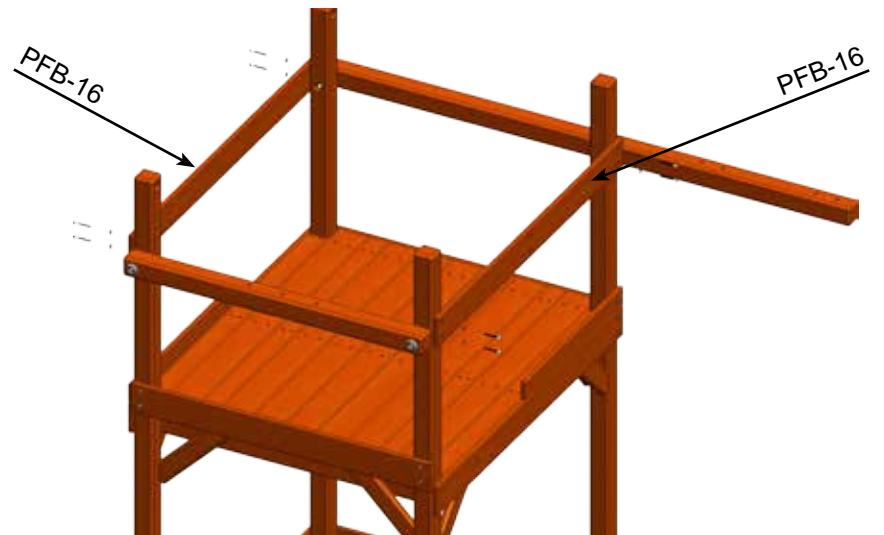
# Main Assembly

## PARTS NEEDED

PFB-6- 31 13/16" Corner Facia- (2)  
PFB-16- 60 1/4" 6- Hole Facia- (2)

## HARDWARE NEEDED

PFB-13- 1/4" USS Flatwasher- (10)  
PFB-7- 1/4" x 3" Hex Lag Screw- (10)



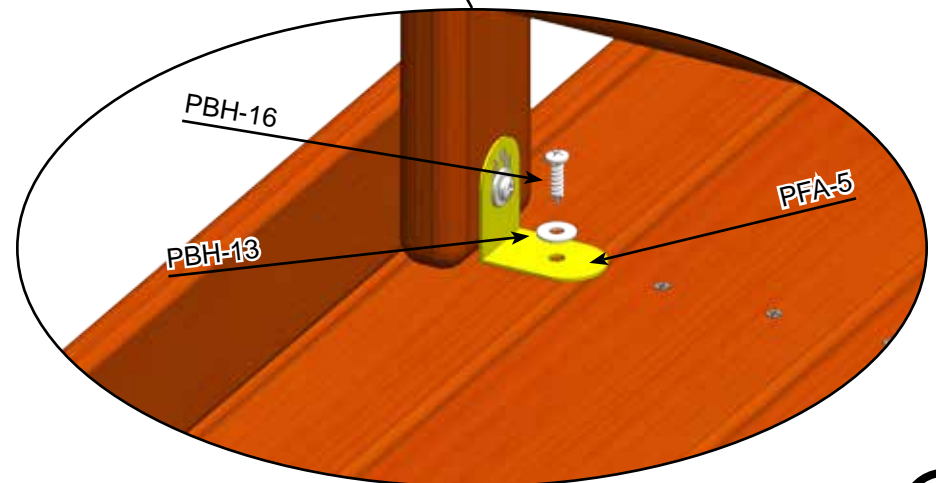
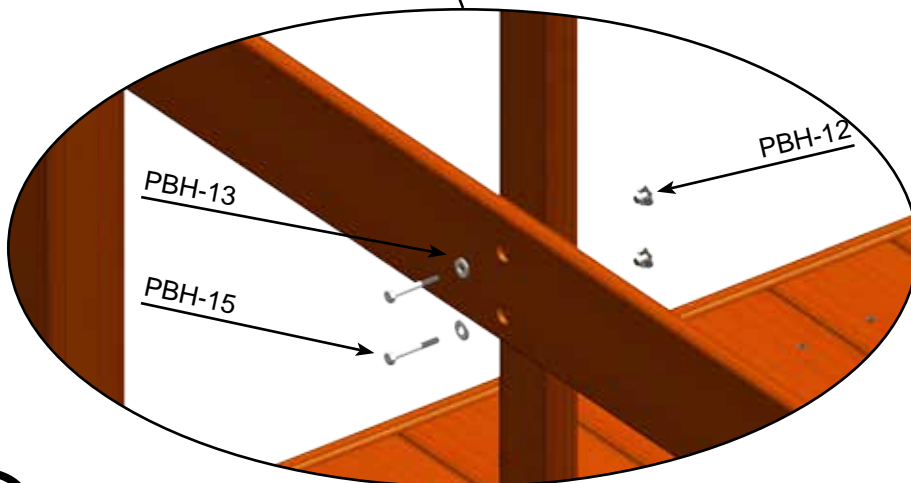
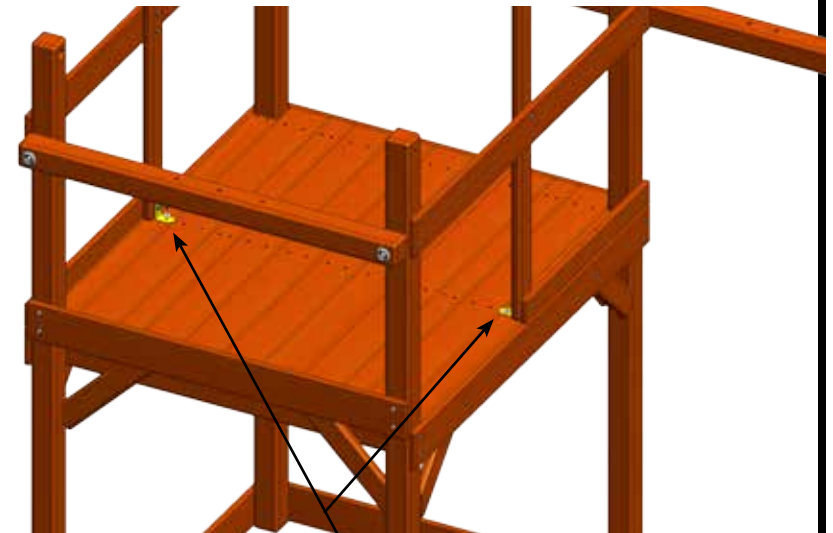
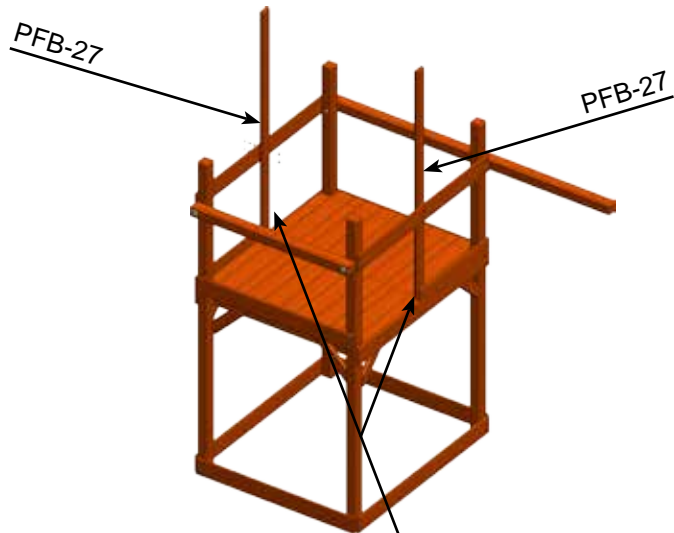
# Main Assembly

## PARTS NEEDED

PFB-27- 72" Center Post- (2)  
PFA-5- Small 90 Degree Bracket- (2)

## HARDWARE NEEDED

PBH-13- 1/4" USS Flatwasher- (10)  
PBH-15- 1/4" x 2" Hex Bolt- (6)  
PBH-12- 1/4" 4- Prong T-Nut- (6)  
PBH-16- #14 x 1" Pan Phillips T/S- (4)





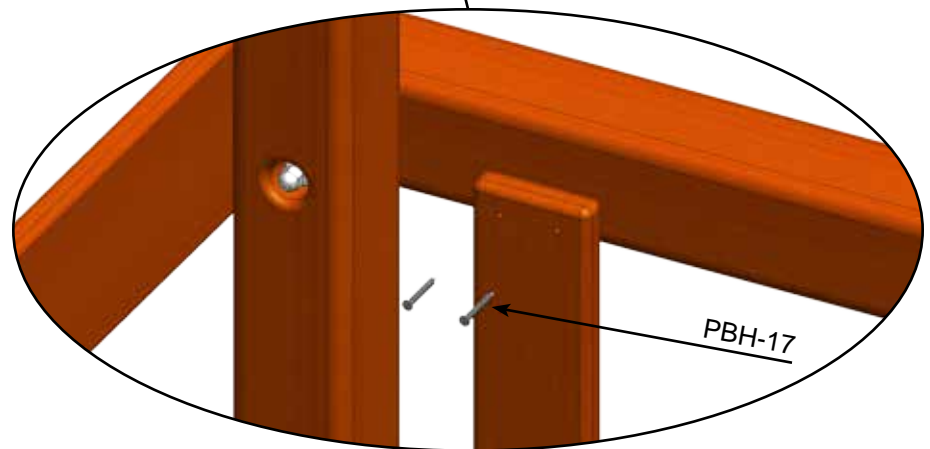
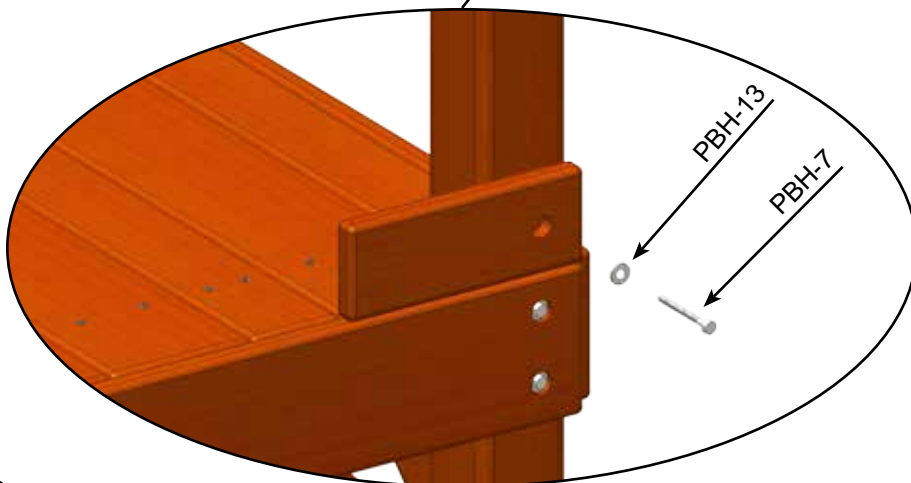
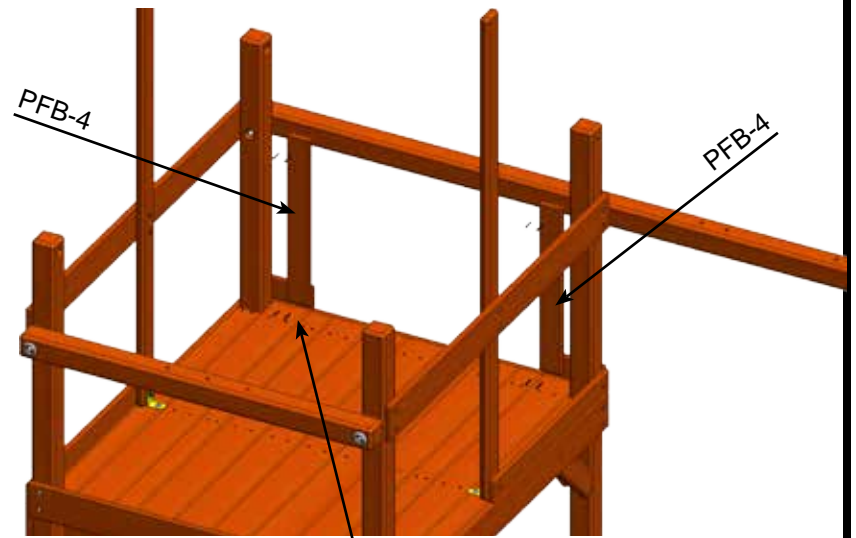
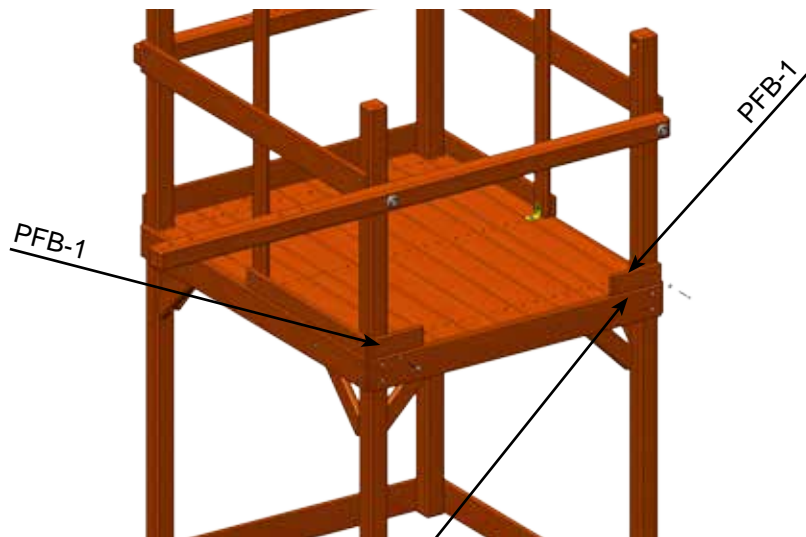
# Main Assembly

## PARTS NEEDED

PFB-1- 9" Small Corner Facia- (2)  
PFB-4- 25" Spindle- (2)

## HARDWARE NEEDED

PBH-13- 1/4" USS Flatwasher- (2)  
PBH-7- 1/4" x 3" Hex Lag Screw- (2)  
PBH-17- 1 1/2" Coated Deck Screw- (8)



All Pickets sit 7/8" off the Deck

# Main Assembly

## PARTS NEEDED

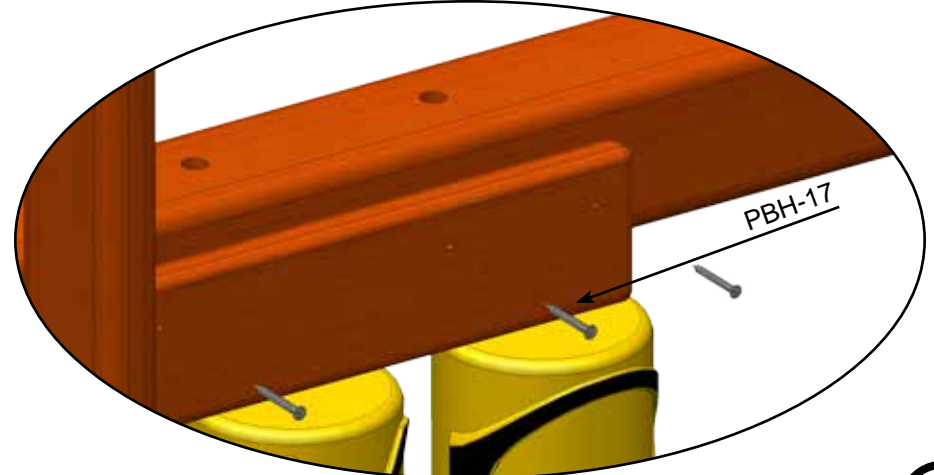
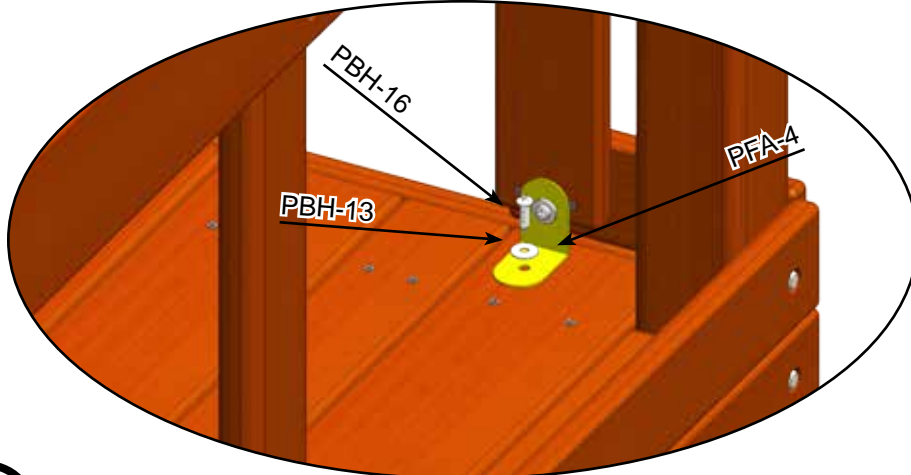
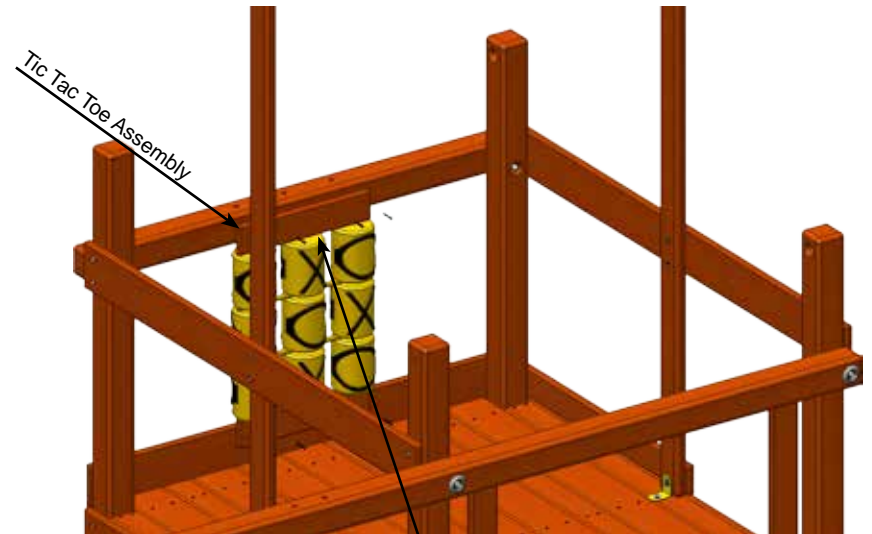
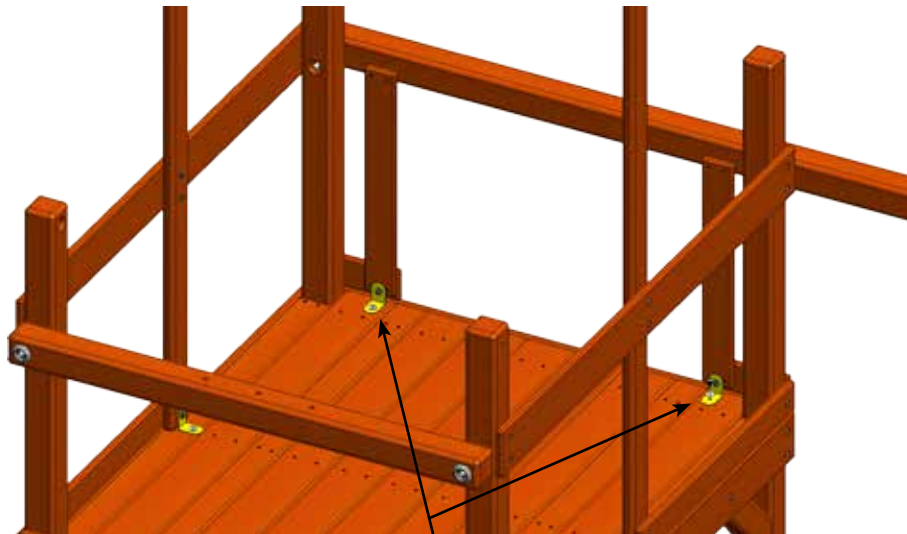
PFA-4- Small 90 Degree Bracket- (2)

## HARDWARE NEEDED

PBH-16- #14 x 1" Pan Phillips T/S- (4)

PBH-13- 1/4" USS Flatwasher- (4)

PBH-17- 1 1/2" Coated Deck Screw- (8)



# Main Assembly

## PARTS NEEDED

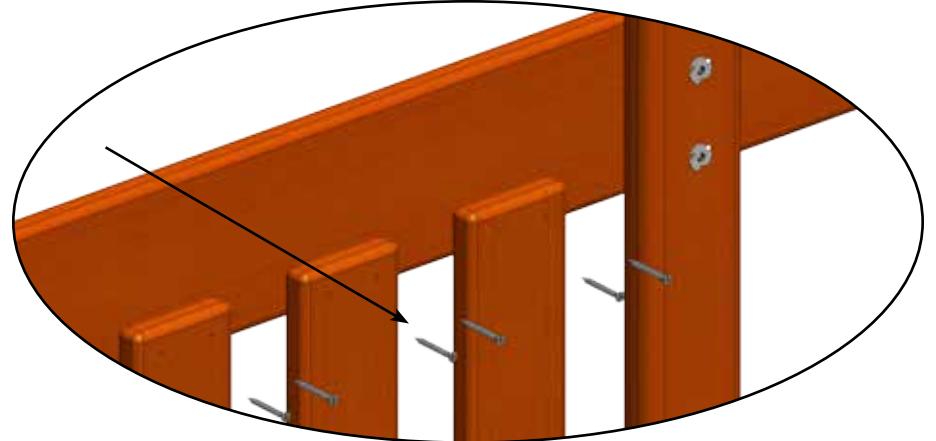
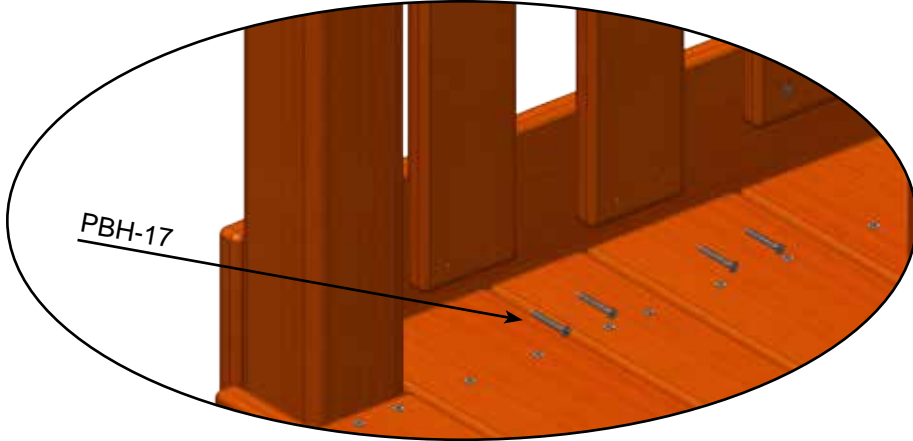
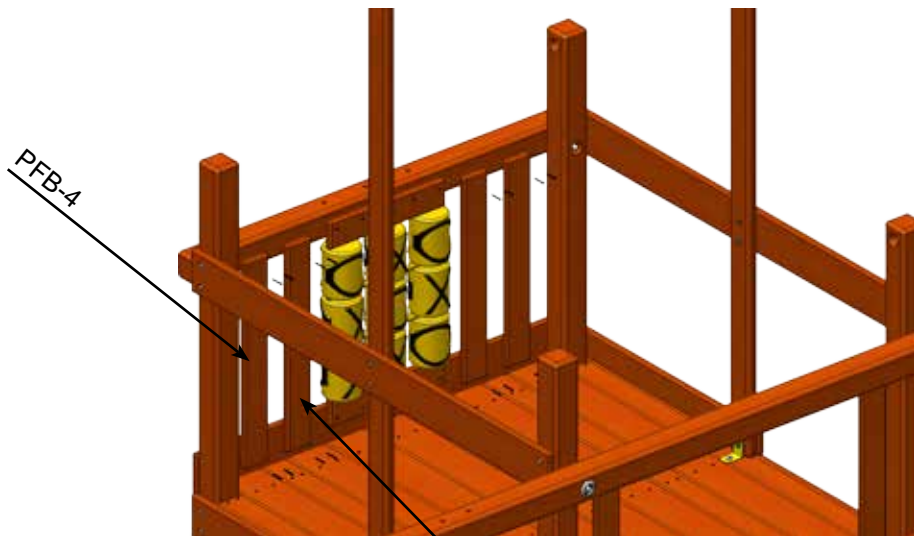
PFB-4- 25" Spindle-

(12)

## HARDWARE NEEDED

PBH-17- 1 1/2" Coated Deck Screw-

(48)



All Pickets sit 7/8" off the Deck with 2 1/2" between each Picket

All Pickets sit 7/8" off the Deck with 2 1/2" between each Picket

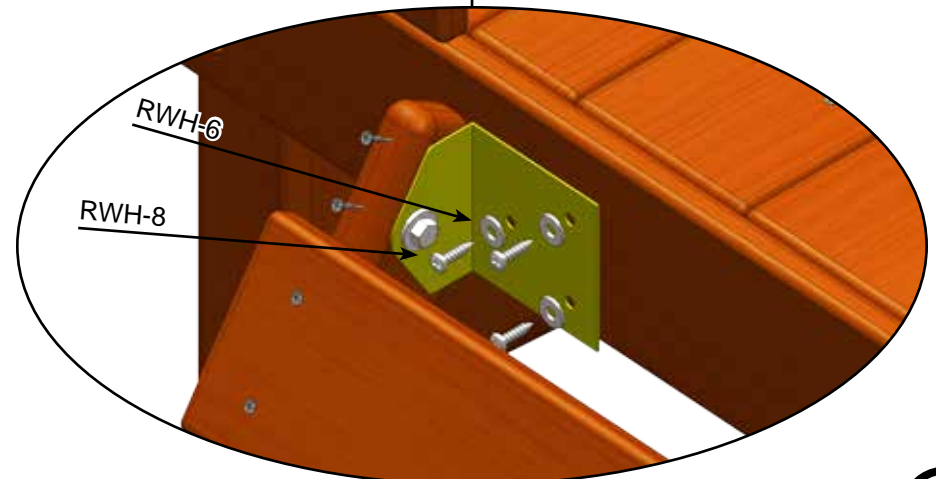
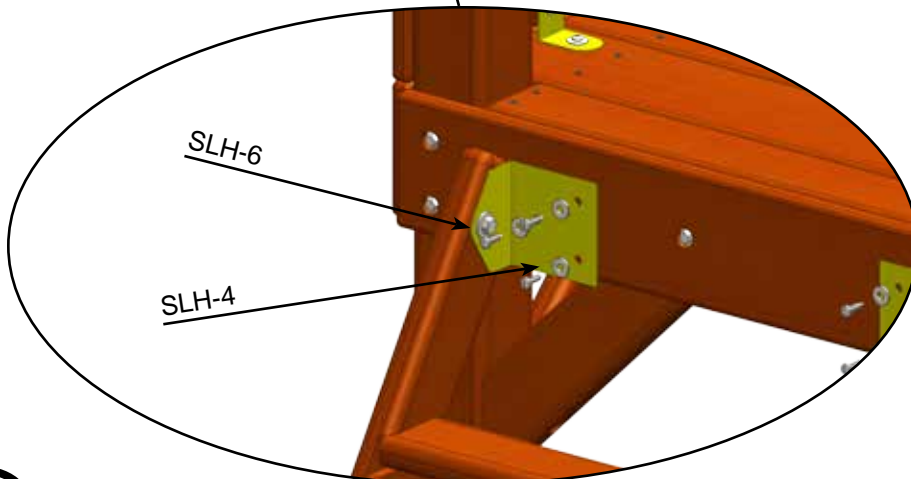
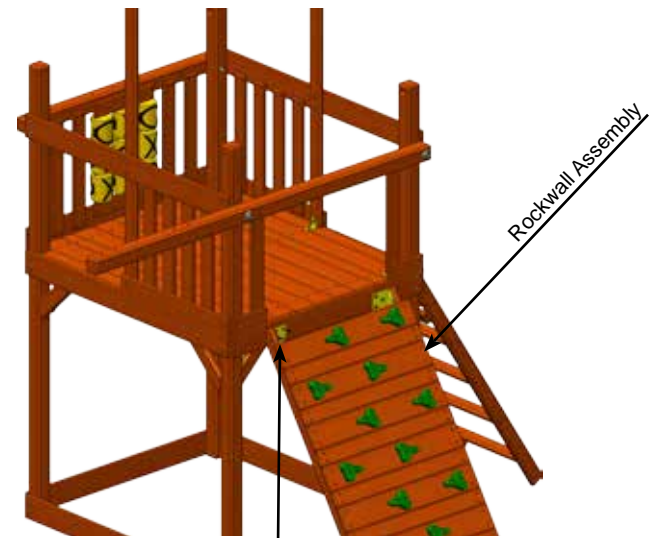
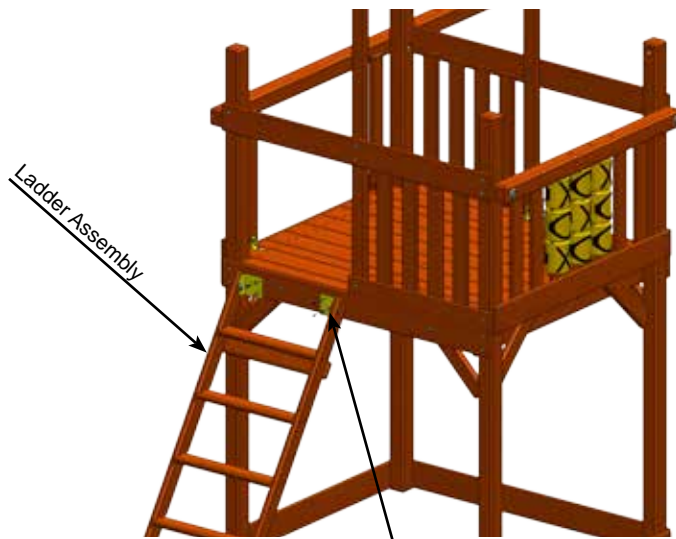
# Main Assembly

## PARTS NEEDED

Ladder Assembly- (1)  
Rockwall Assembly- (1)

## HARDWARE NEEDED

SLH-6- #14 x 1" Pan Phillips T/S- (6)  
SLH-4- 1/4" USS Flatwasher- (6)  
RWH-6- 1/4" USS Flatwasher- (6)  
RWH-8- #14 x 1" Pan Phillips T/S- (6)



# Main Assembly

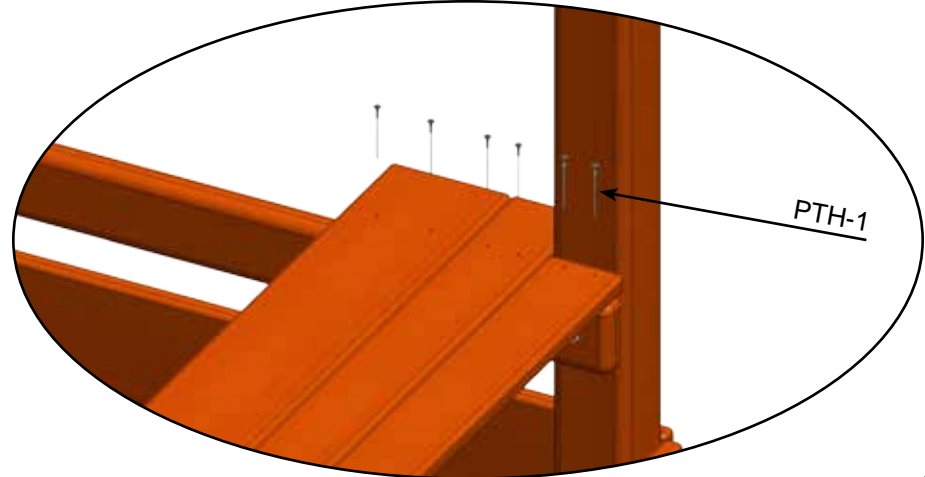
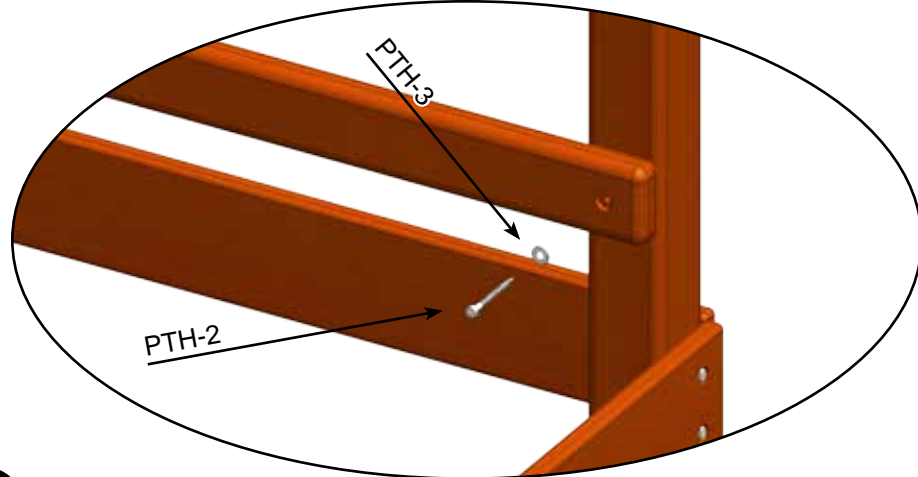
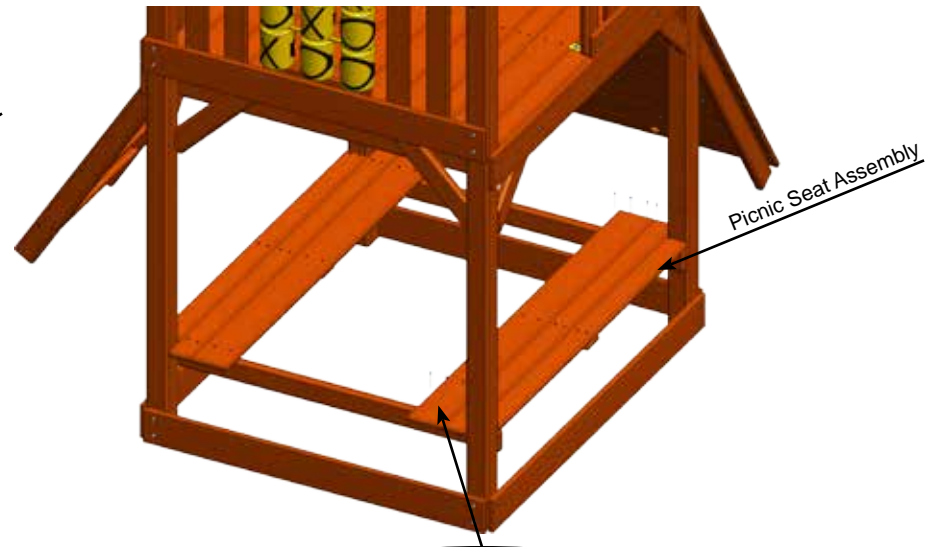
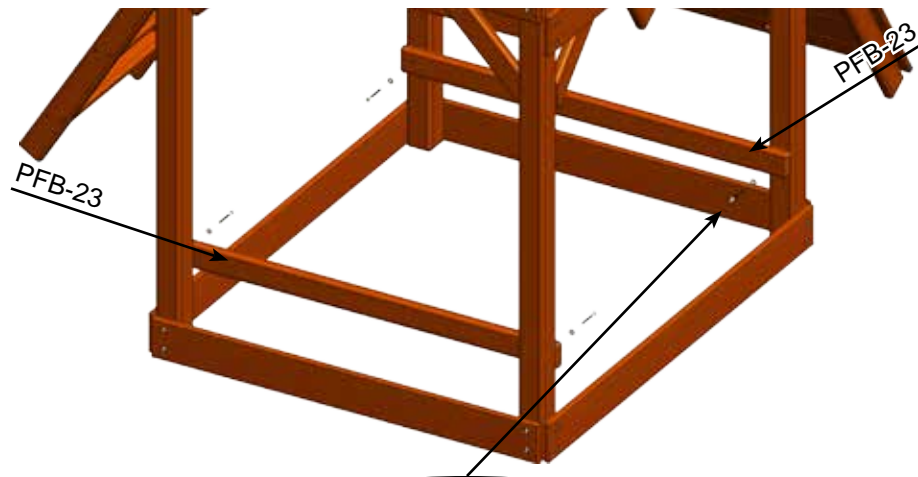
## PARTS NEEDED

PFB-23- 51 1/8" Picnic Mainbeam- (2)  
Picnic Seat Assembly- (2)

## HARDWARE NEEDED

PTH-3- 1/4" USS Flatwasher- (4)  
PTH-2- 1/4" x 3" Hex Lag Screw- (4)  
PTH-1- 2 1/2" Coated Deck Screw- (24)

There is 10 1/4" from the ground to the bottom of PFB-23



# Main Assembly

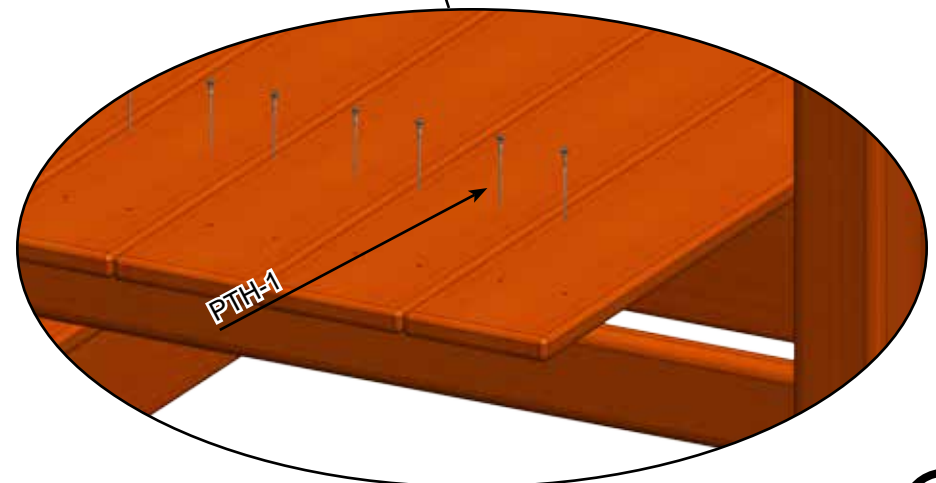
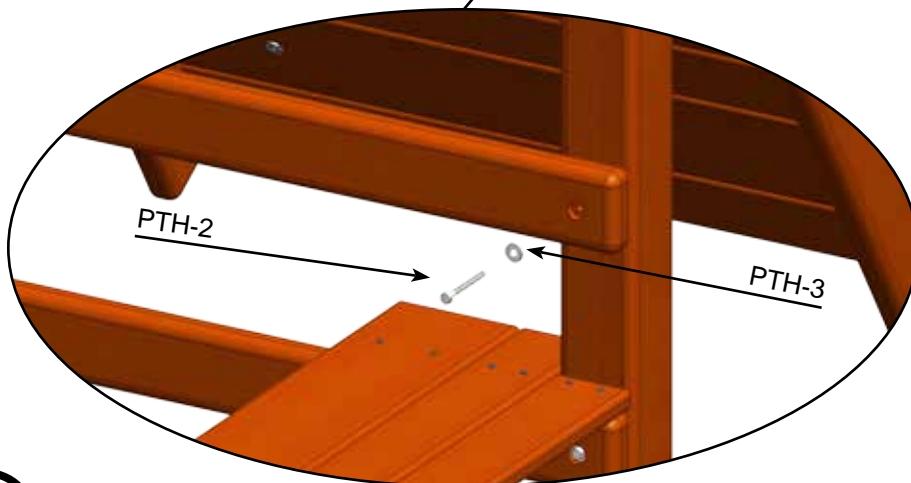
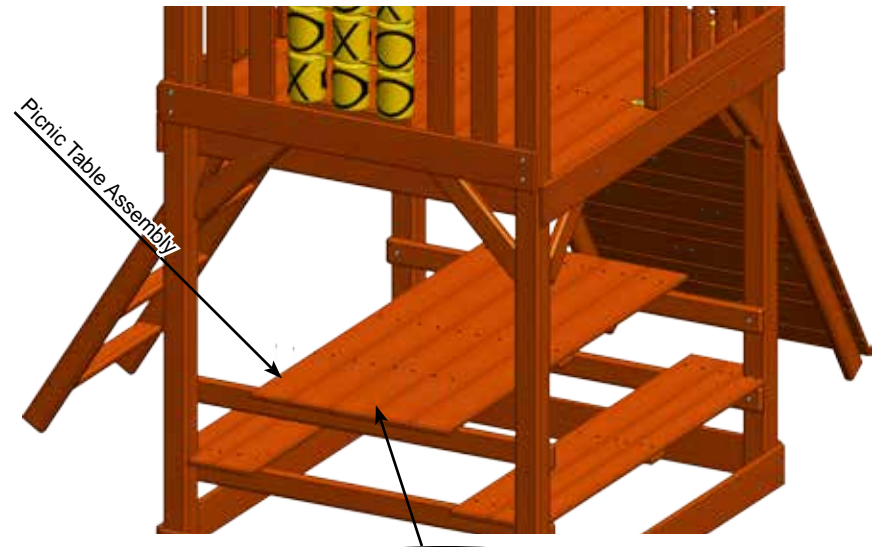
## PARTS NEEDED

PFB-23- 51 1/8" Picnic Mainbeam- (2)  
Picnic Table Assembly- (1)

## HARDWARE NEEDED

PTH-2- 1/4" x 3" Hex Lag Screw- (4)  
PTH-3- 1/4" USS Flatwasher- (4)  
PTH-1- 2 1 1/2" Coated Deck Screw- (20)

There is 20 1/4" from the ground to the bottom of PFB-23



# Main Assembly

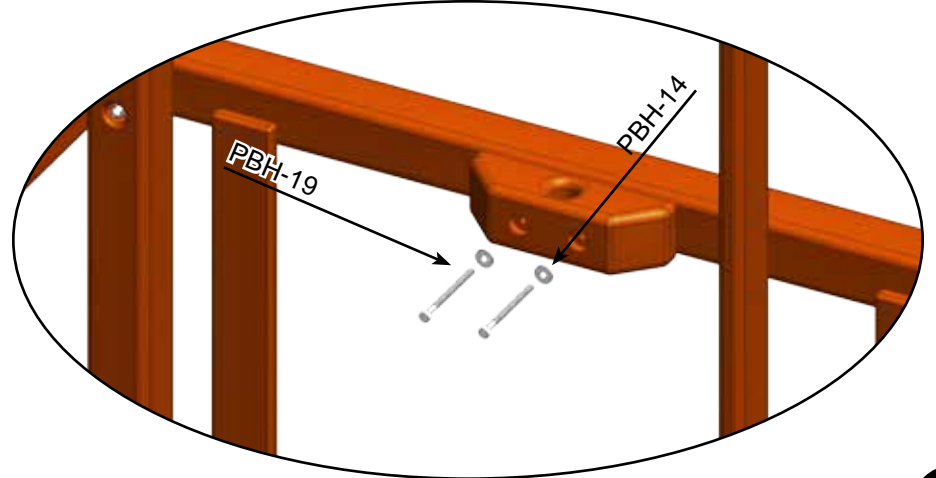
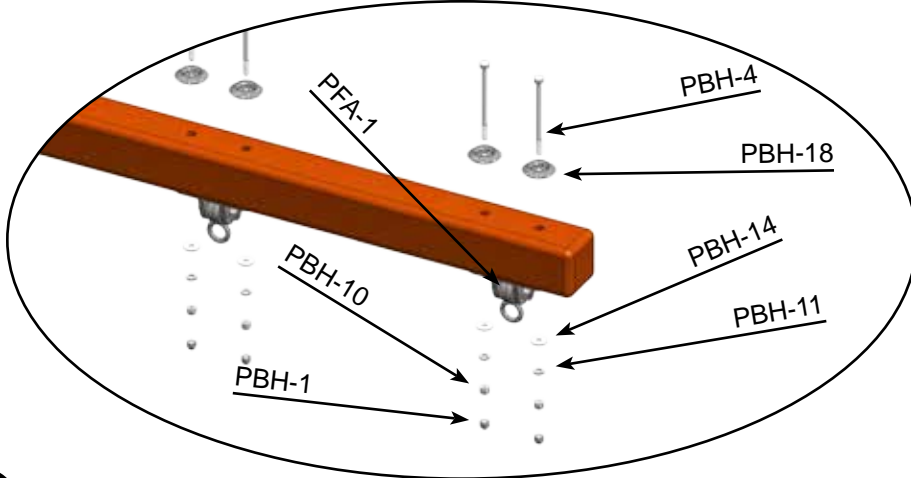
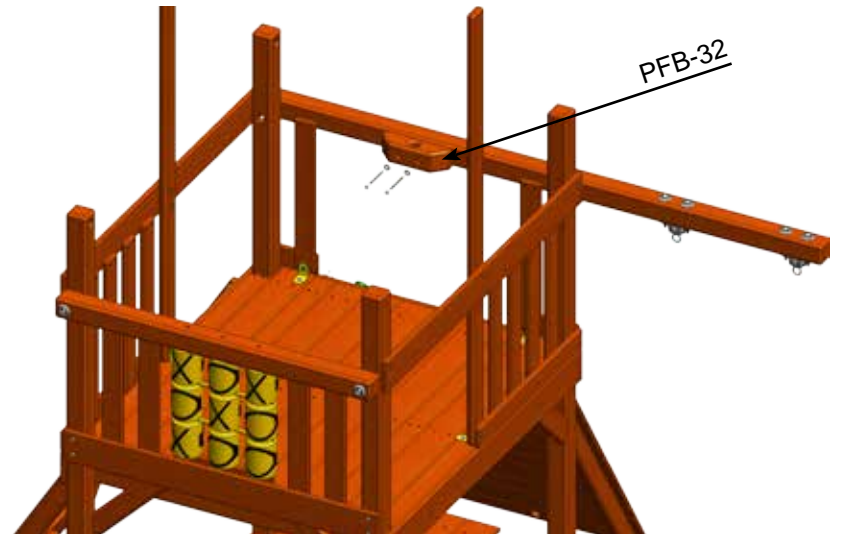
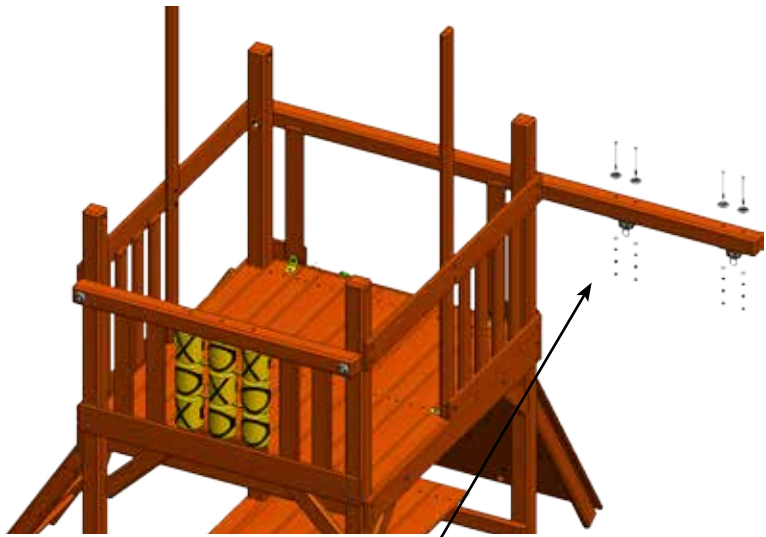
## PARTS NEEDED

PFB-32- 11" Rope Block- (1)

PBH-1- 3/8" Acorn Nut Plated- (4)  
PBH-11- 3/8" Split Lockwasher- (4)  
PBH-18- 3/8" Bolt Cup- (4)  
PBH-19- 3/8" x 5" Hex Lag Screw- (2)

## HARDWARE NEEDED

PBH-10- 3/8" Nylon Insert Locknut- (4)  
PBH-14- 3/8" USS Flatwasher- (6)  
PBH-4- 3/8" x 5" Hex Bolt- (4)



# CNTRL+Shift+Click to Edit

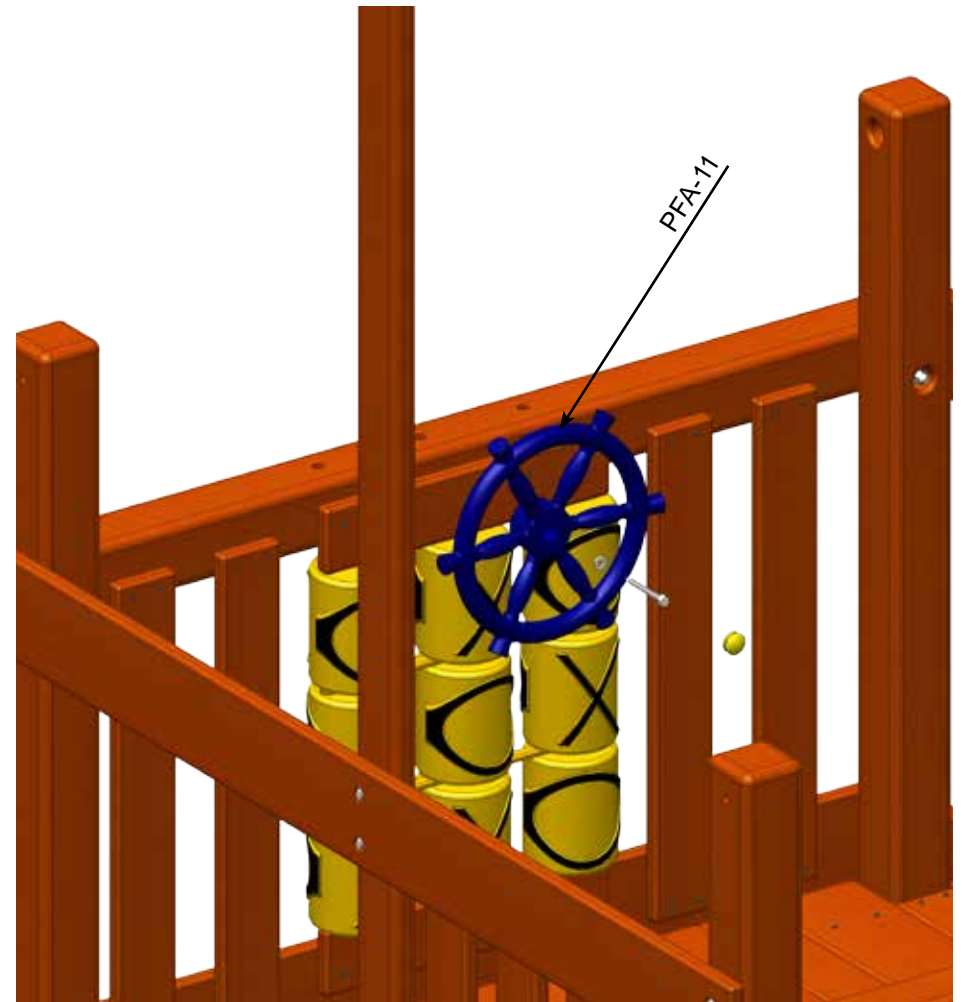
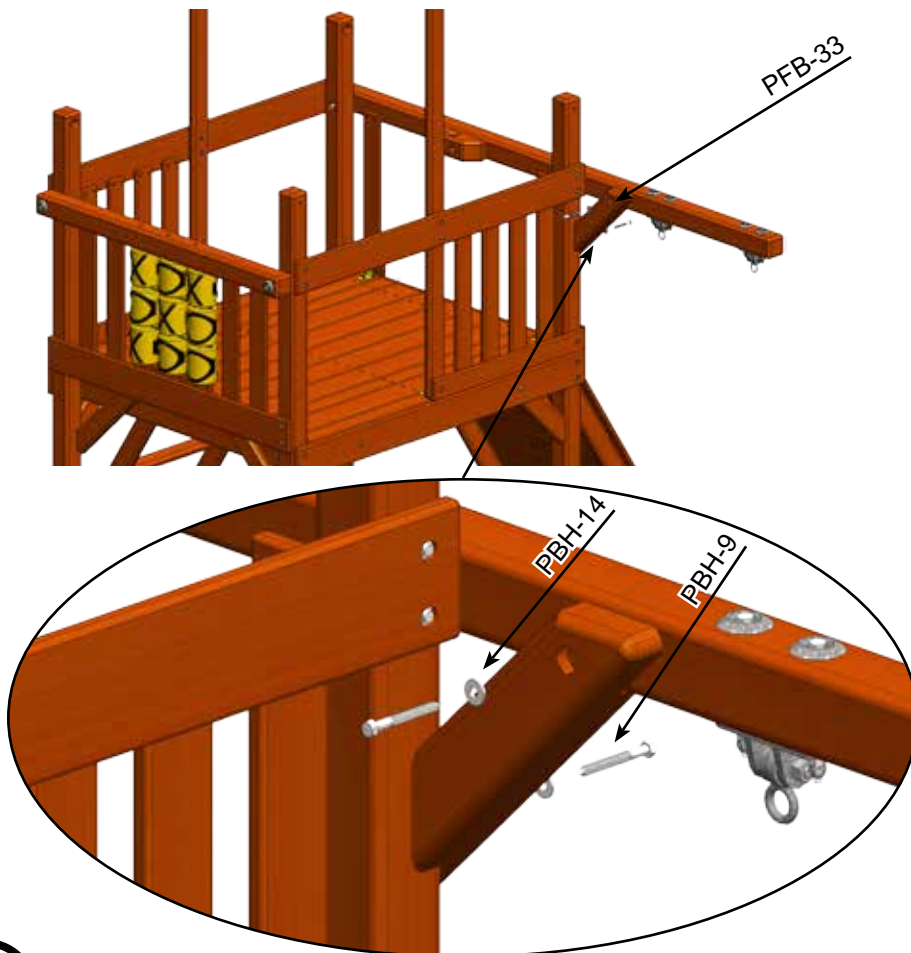
## PARTS NEEDED

PFB-33- 19" Gusset- (1)  
PFA-11- 12" Ship's Wheel- (1)

## HARDWARE NEEDED

PBH-14- 3/8" USS Flatwasher- (2)  
PBH-9- 3/8" x 3 1/2" Hex Lag Screw- (2)

The Trapeze Arm can be flipped to match the PFB-33





# Main Assembly

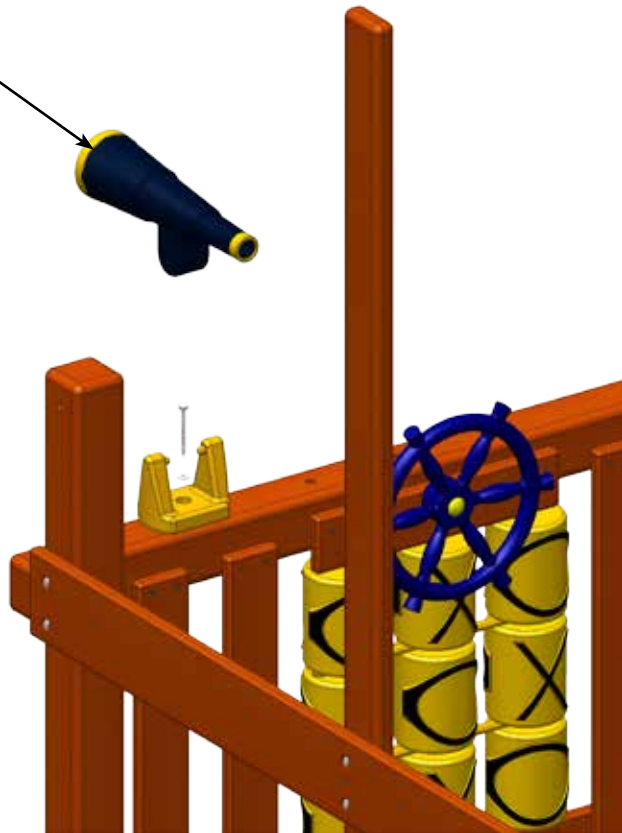
## PARTS NEEDED

PFA-12- Telescope- (1)  
PFA-3- 1" Playgrip Ladder Handle U-Mount- (2)

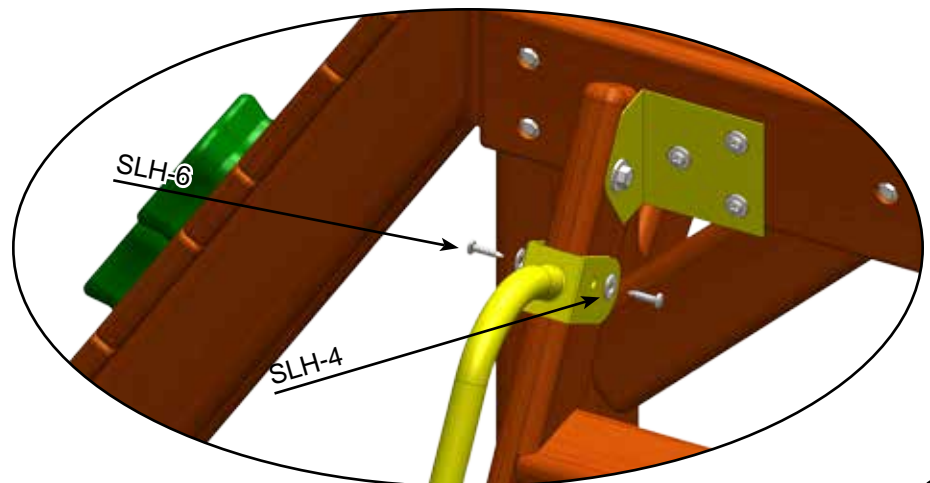
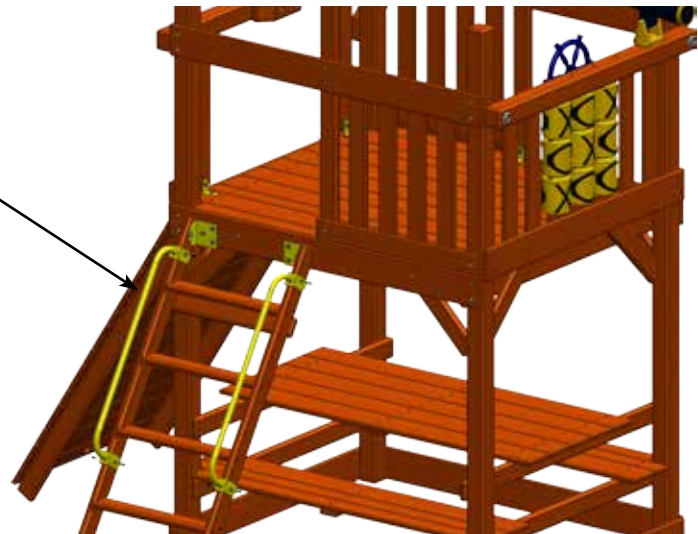
## HARDWARE NEEDED

SLH-6- #14 x 1" Pan Phillips T/S- (8)  
SLH-4- 1/4" USS Flatwasher- (8)

PFA-12



PFA-3



# Main Assembly

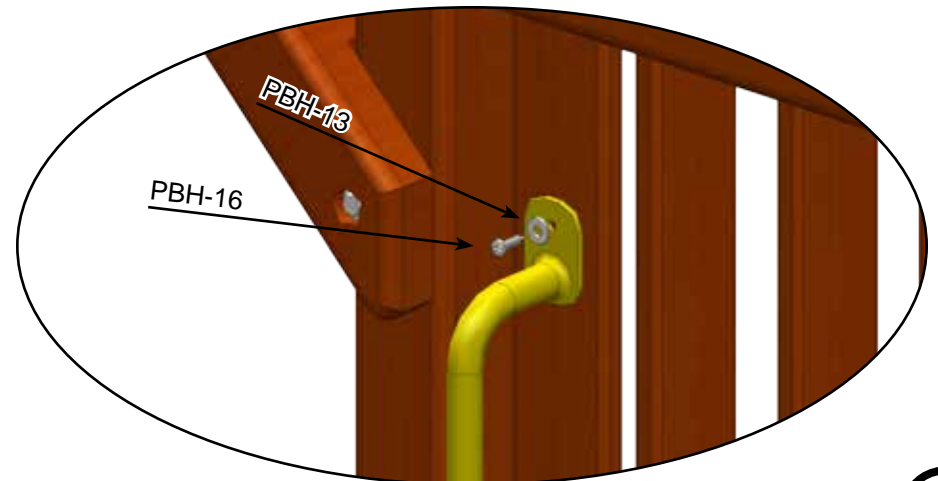
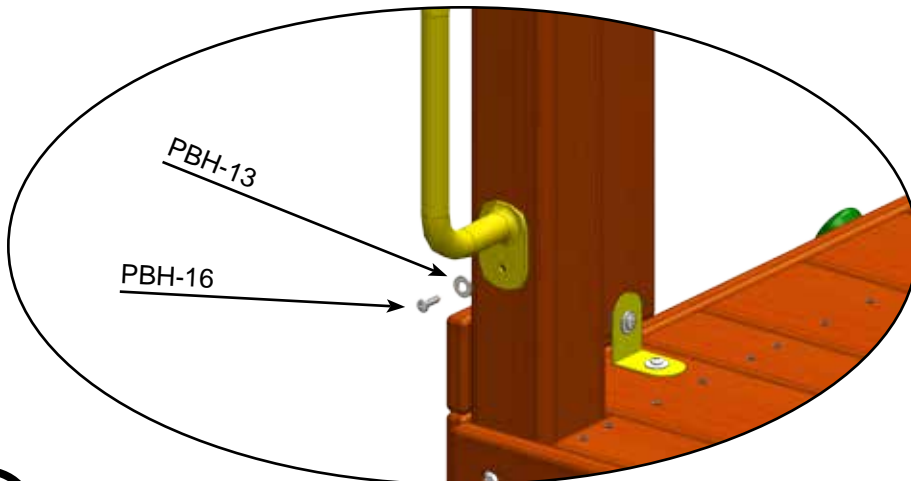
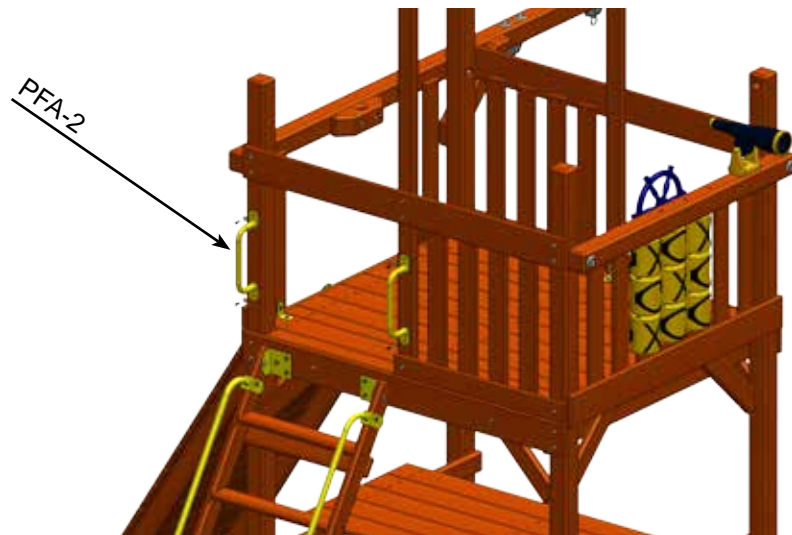
## PARTS NEEDED

PFA-2- 1" Playgrip Safety Handle- (4)

## HARDWARE NEEDED

PBH-13- 1/4" USS Flatwasher- (8)

PBH-16- #14 x 1" Pan Phillips T/S- (8)



# Main Assembly

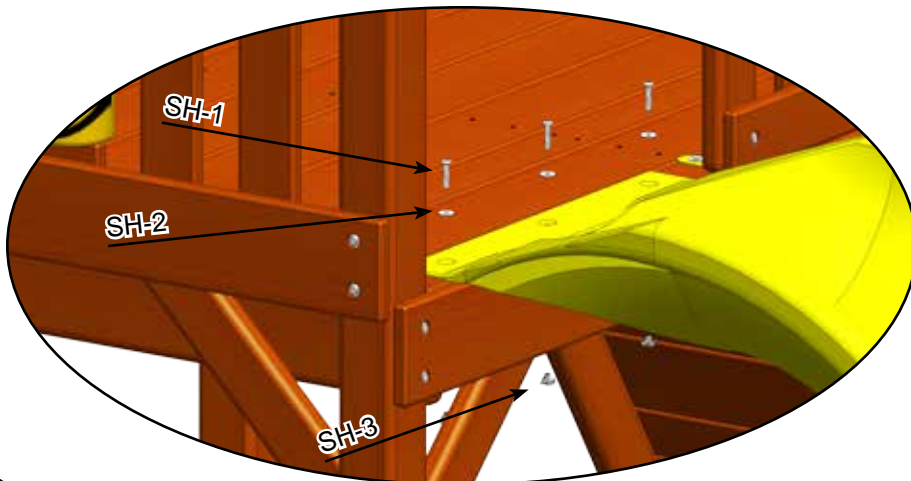
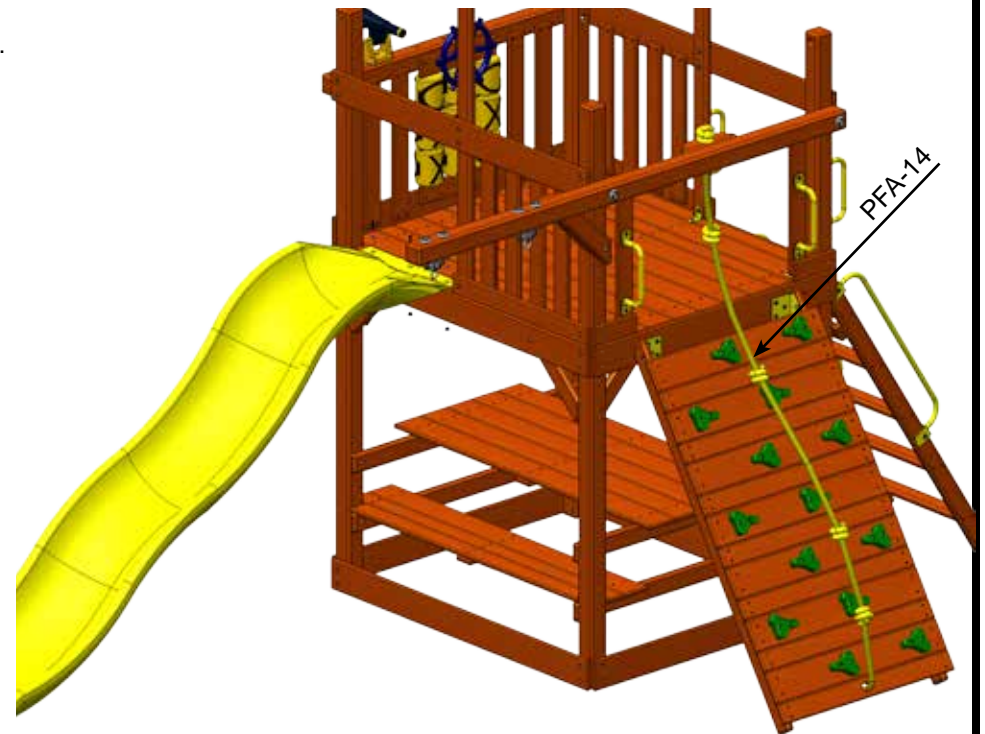
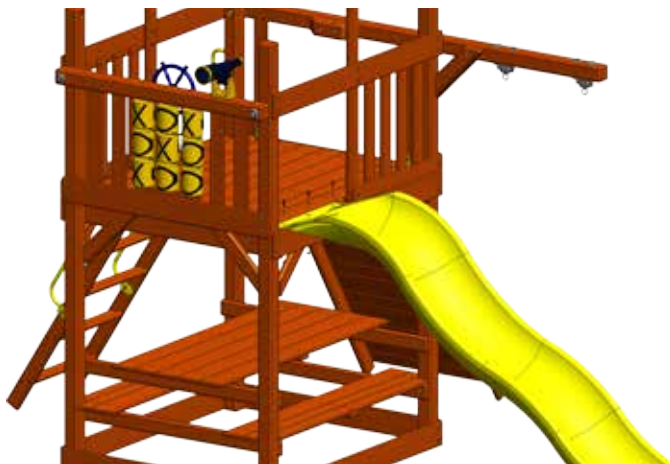
## PARTS NEEDED

Wave Slide- (1)  
PFA-14- 14' Rope- (1)

## HARDWARE NEEDED

SH-1- 1/4" x 1" Pan Phillips M/S- (3)  
SH-2- 1/4" USS Flatwasher- (3)  
SH-3- 1/4" 4- Prong T-Nut- (3)

Use a 1/4" Drill and drill through the deck where slide holes are and assemble as shown.



Slip PFA-14 through the Rockwall Rope Block and Tie a knot then about every 1 1/2 to 2 feet tie another knot until you can slip the rope through the Rockwall and tie a knot securing the rope.

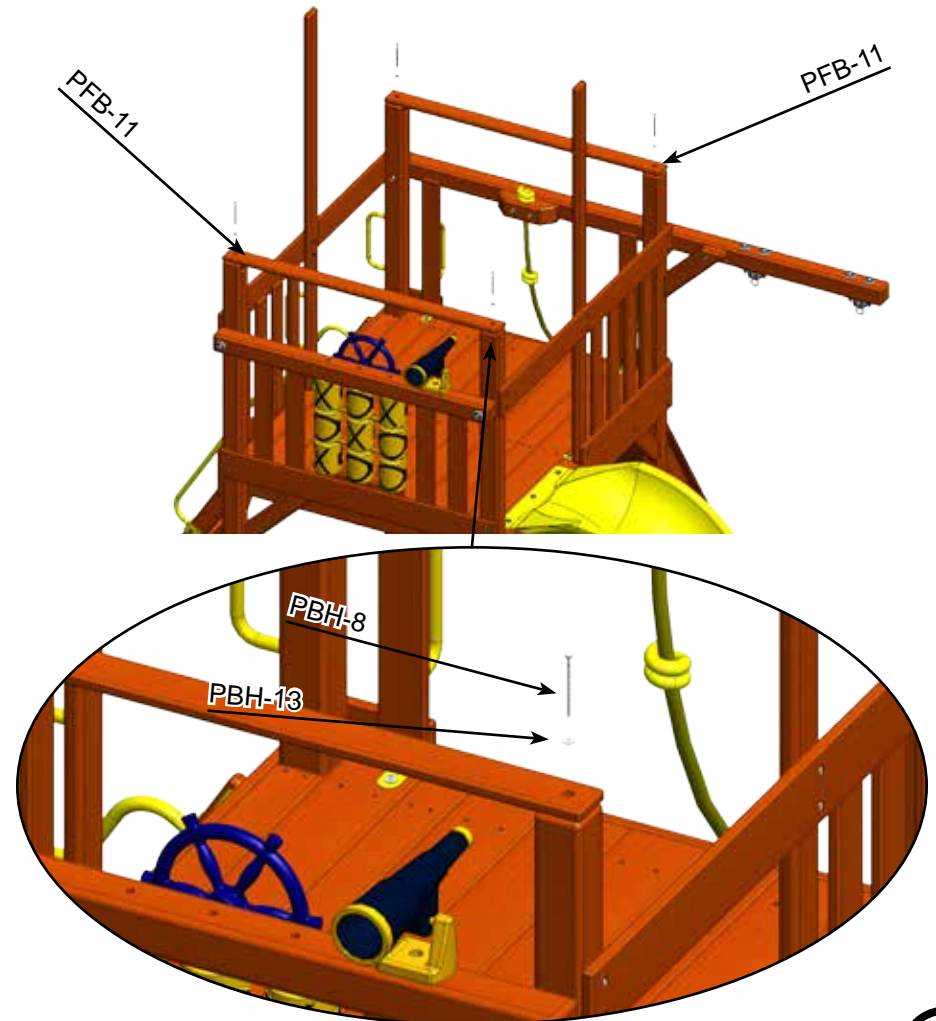
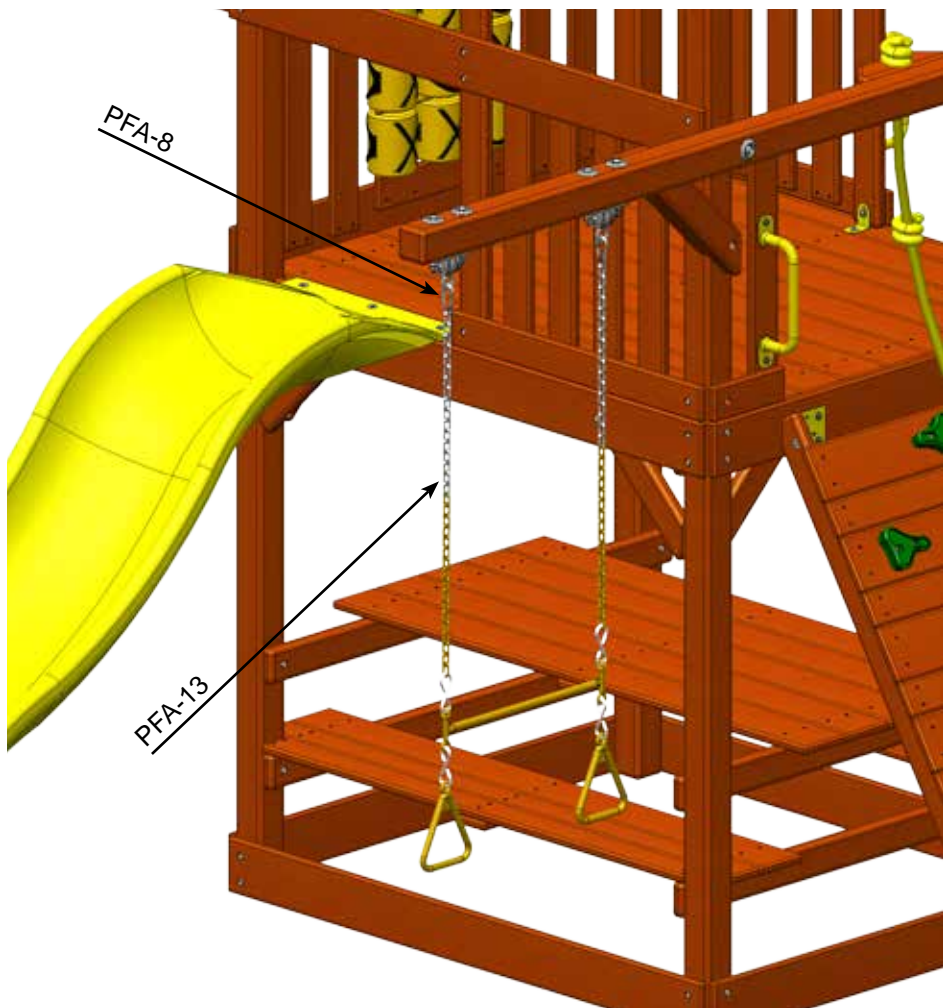
# Main Assembly

## PARTS NEEDED

- PFA-8- Spring Clip 10mm x 100mm- (2)
- PFA-13- 16" Trapeze Bar- (1)
- PFB-11- 51 1/8" End Tarp Board- (2)

## HARDWARE NEEDED

- PBH-8- 1/4" x 4 1/2" Hex Lag Screw- (4)
- PBH-13- 1/4" USS Flatwasher- (4)



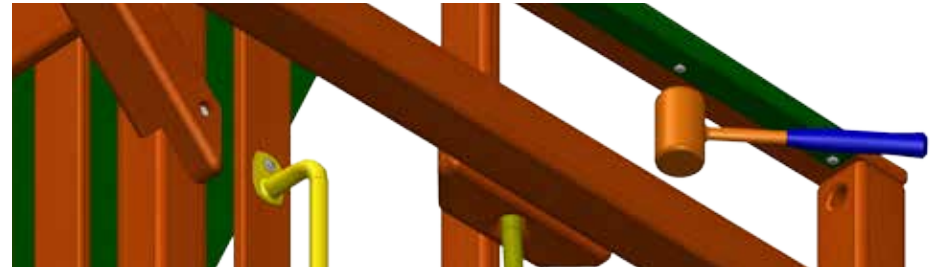
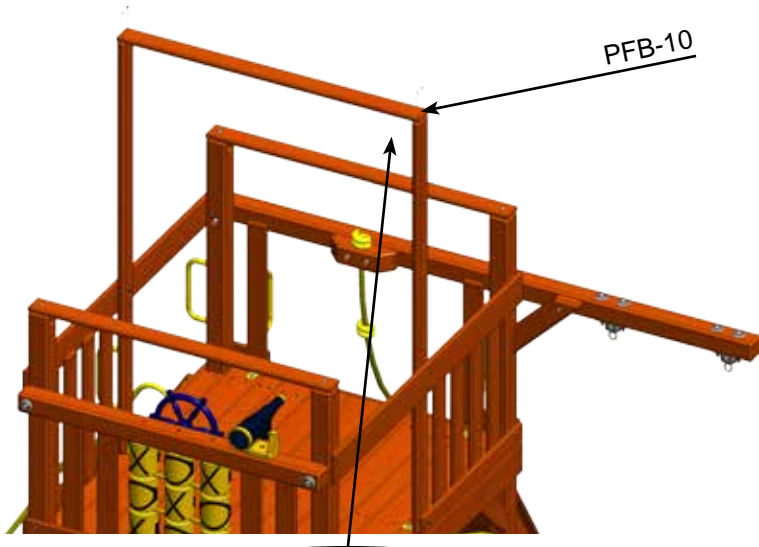
# Main Assembly

## PARTS NEEDED

PFB-10- 51 1/8" Center Tarp Board- (1)

## HARDWARE NEEDED

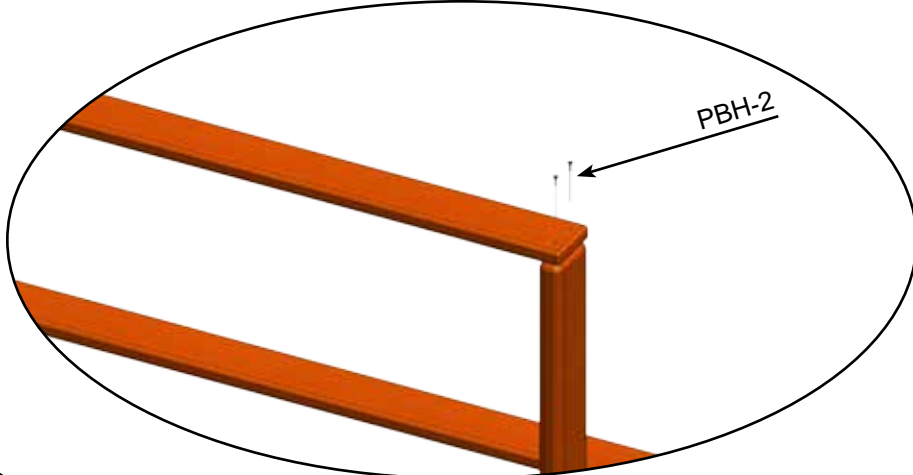
PBH-2- 2 1/2" Coated Deck Screw- (4)



Lay Tarp over the Tarp Boards and mark locations of Snaps



Screw the Phillips Screw Snaps into the marked locations and attach the Fort Tarp to the Snaps



For Swingbeam See Swingbeam Install Manual

